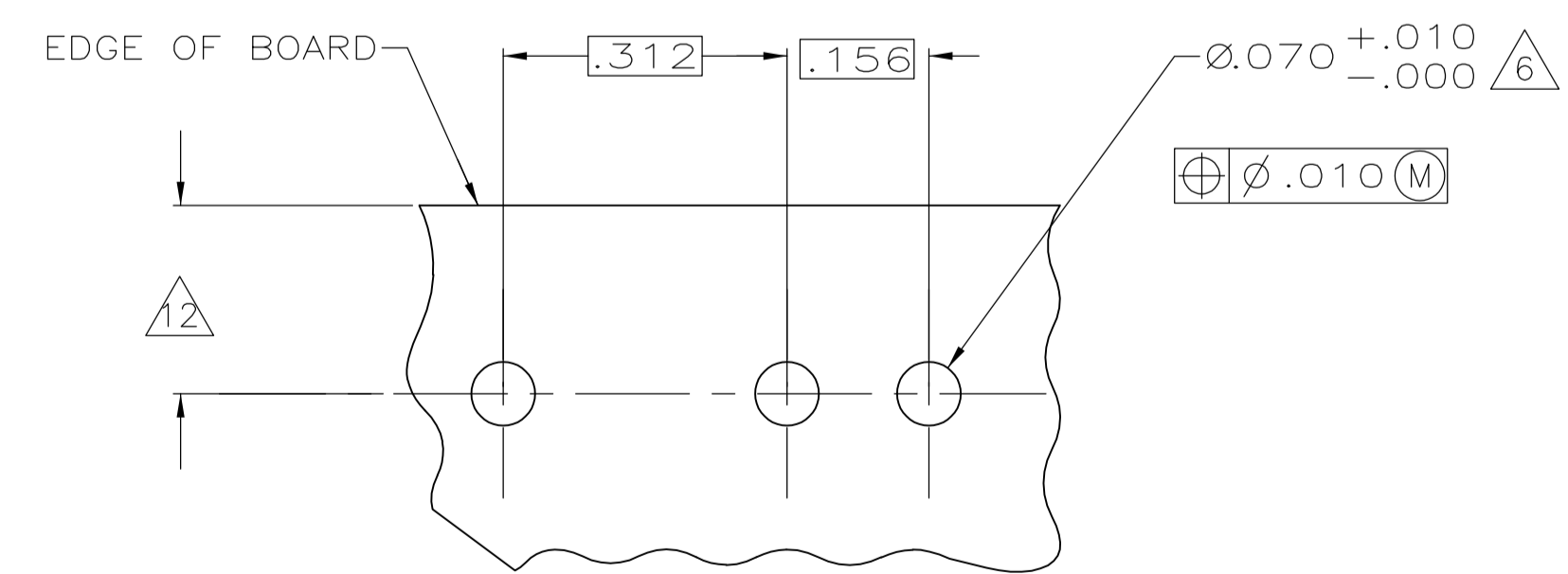
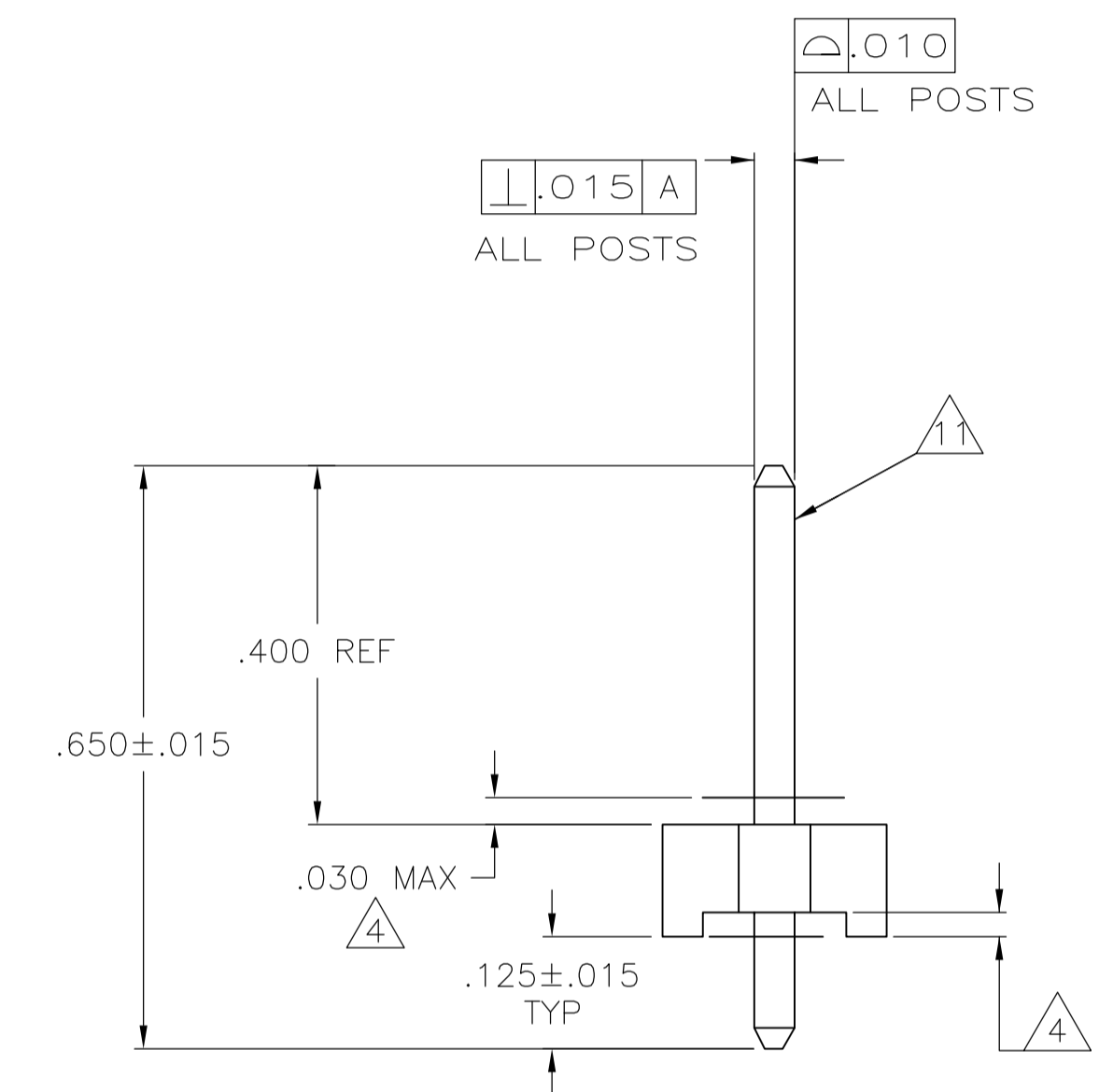
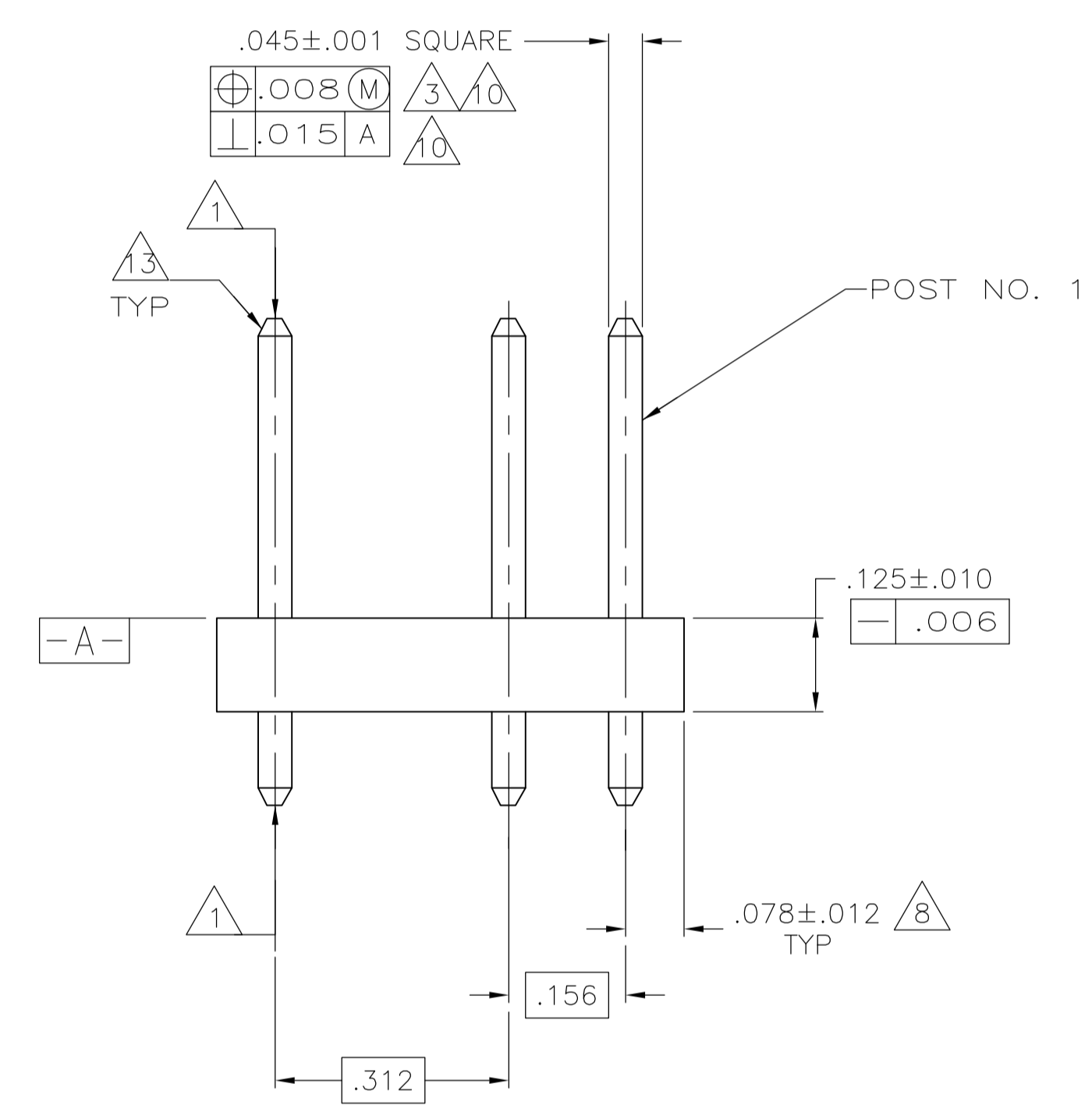
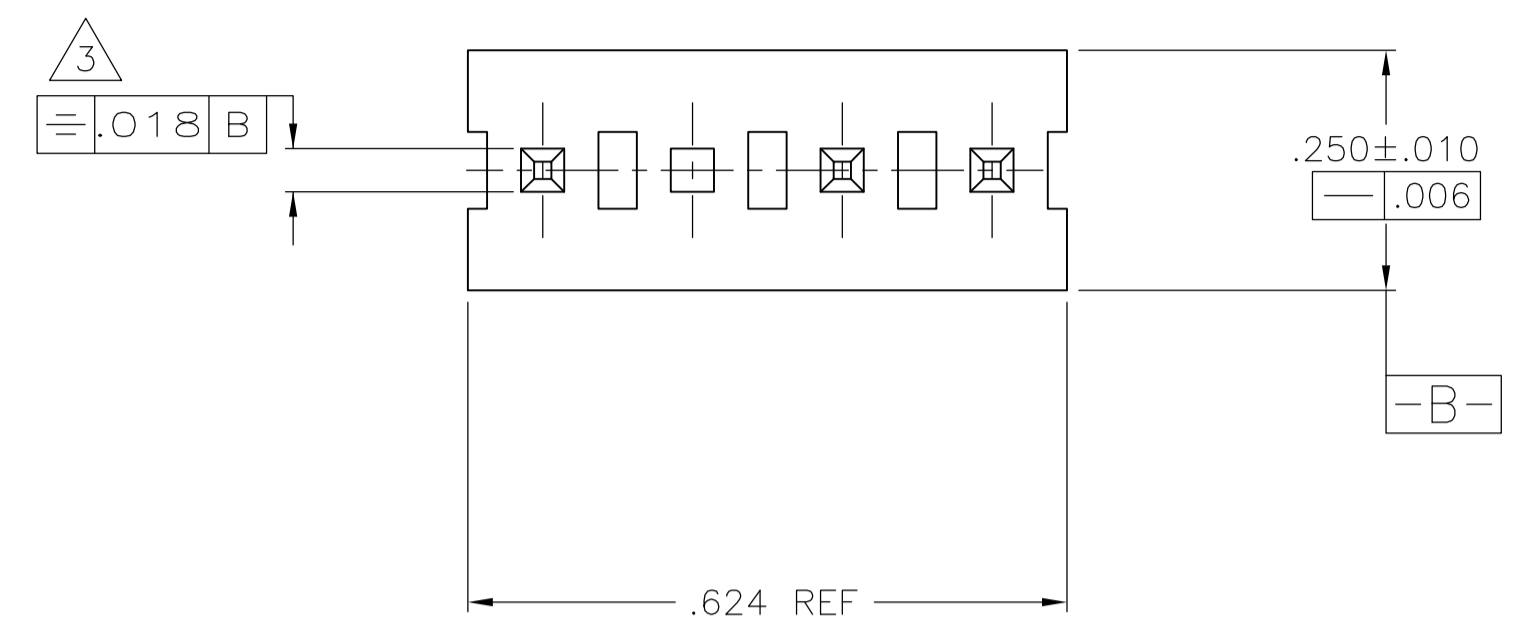


| LOC |     | DIST        |           | REVISIONS |     |      |  |
|-----|-----|-------------|-----------|-----------|-----|------|--|
| P   | LTR | REVISED PER | ECO       | DATE      | DWN | APVD |  |
| R   |     |             | 12-016930 | 05OCT12   | KH  | SM   |  |



RECOMMENDED MOUNTING HOLE PATTERN FOR .063 THICK P.C. BOARD

- 1 POST TO WITHSTAND 13 NEWTONS (3LBS.) MIN. AXIAL FORCE IN BOTH DIRECTIONS SHOWN WITHOUT DISLODGING.
- 2 TOLERANCES APPLY TO SOLDER SIDE OF BOARD.
- 3 MEASURED AT SURFACE -A-
- 4 PLASTIC FLASH PERMITTED IN THIS AREA.
- 5 PARTS COMPLY WITH AMP SOLDERABILITY SPEC. NO. 109-11-2.
- 6 ONE HOLE MAY BE UNDERSIZED (.065/.060 DIA.) FOR ASSEMBLY RETENTION DURING WAVE SOLDERING.
- 7 MATERIAL: HEADER-THERMOPLASTIC POLYESTER GLASS-FILLED 94V-0(NATURAL) POST-COPPER ALLOY (TIN PLATED)
- 8 COORDINATE DIMENSION APPLIES FROM CENTER OF ACTUAL FEATURE.
- 9 PLASTIC BURRS CAUSED BY CUT-OFF TOOLING ARE PERMITTED WITHIN THE MAXIMUM TOLERANCE ENVELOPE.
- 10 POST TO BE MEASURED WHEN STRIP IS HELD FLAT.
- 11 POST MUST WITHSTAND TWO 90° BENDS AGAINST EXTRUSION WITHOUT BREAKING.
- 12 DIMENSION SHOULD BE .140 MIN WHEN MATING WITH A MTA-156 CONNECTOR ASSEMBLY OR A SL-156 CONNECTOR ASSEMBLY.
- 13 PIN BURR OF .005 MAX. VERTICAL AND .003 MAX. HORIZONTAL PERMITTED AT POST TIPS ON BOTH ENDS.

643130-1 SHOWN

| INCHES | MILLIMETERS | INCHES | MILLIMETERS |
|--------|-------------|--------|-------------|
| .060   | 1.52        | -      | -           |
| .045   | 1.14        | .700   | 17.78       |
| .030   | 0.76        | .624   | 15.85       |
| .018   | 0.46        | .450   | 11.43       |
| .015   | 0.38        | .312   | 7.92        |
| .012   | 0.30        | .250   | 6.35        |
| .010   | 0.25        | .156   | 3.96        |
| .008   | 0.20        | .140   | 3.56        |
| .006   | 0.15        | .125   | 3.18        |
| .005   | 0.13        | .078   | 1.98        |
| .003   | 0.08        | .070   | 1.78        |
| .000   | 0.00        | .065   | 1.65        |
| IN     | MM          | IN     | MM          |

|  |                |                              |   |
|--|----------------|------------------------------|---|
| THIS DRAWING IS A CONTROLLED DOCUMENT. |                | DIN<br>J. HUFFMAN<br>4-22-97 | TE Connectivity<br>MTA-156 HEADER ASSEMBLY, PLAIN, STRAIGHT, .045 SQUARE POST, TIN PLATED, 4 POSITION, OMITTED POST |
| DIMENSIONS: INCHES                     |                | CJK<br>R. SWING<br>4-22-97   |   |
| TOLERANCES UNLESS OTHERWISE SPECIFIED: |                | APVD<br>C. JONES<br>4-22-97  | NAME  |
| 0 PLC ± -                              | 1 PLC ± -      | PRODUCT SPEC                 | SIZE  |
| 2 PLC ± -                              | 3 PLC ± .005   | APPLICATION SPEC             | WEIGHT  |
| 4 PLC ± -                              | ANGLES ± 0°30' | FINISH                       | CUSTOMER DRAWING  |
| MATERIAL                               |                | SCALE 5:1                    | SHEET 1 OF 1  |
| FINISH                                 |                | REV R                        |   |

|                     |             |
|---------------------|-------------|
| 1 & 2               | 643130-4    |
| 2 & 4               | 643130-3    |
| 3                   | 643130-1    |
| POST NUMBER OMITTED | PART NUMBER |