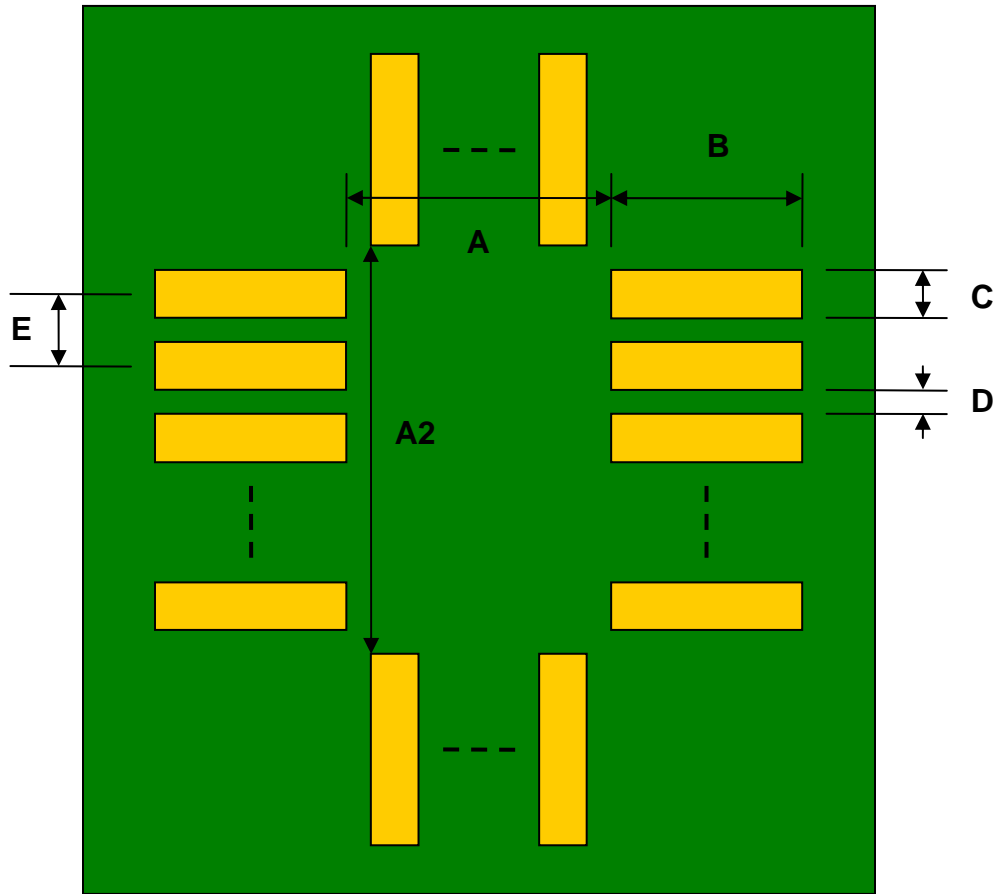


## QFN-12 to DIP-12 SMT Adapter (0.4 mm pitch, 2 x 1.7 mm body)

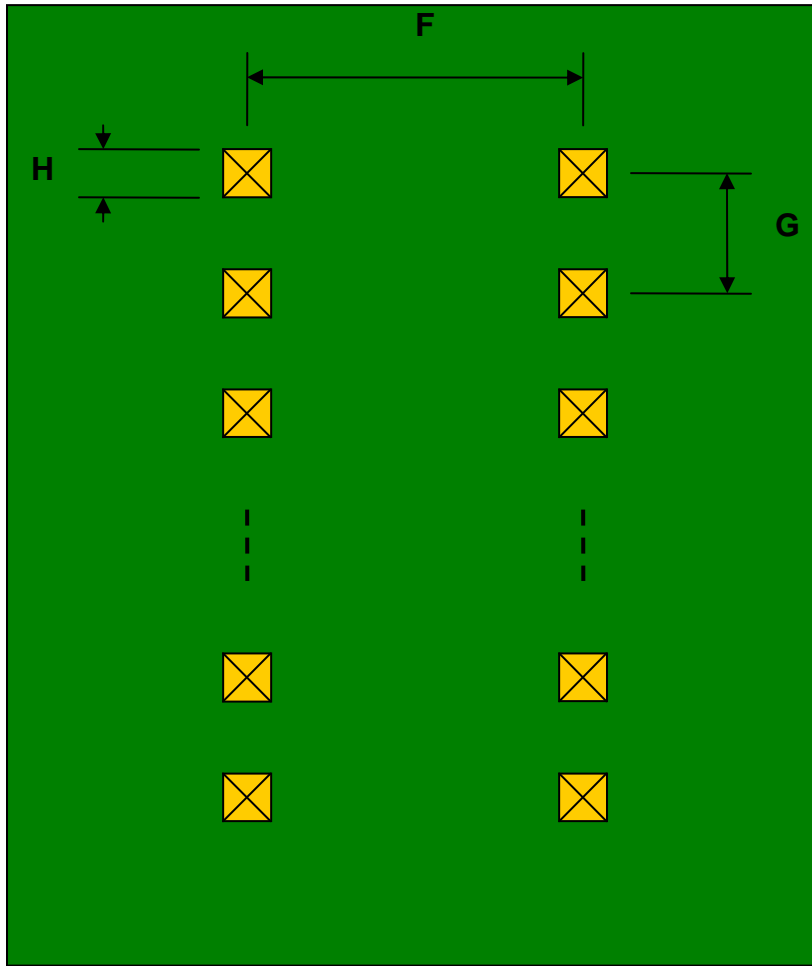
REF.	DIMENSIONS					
	mm			inches		
	MIN.	TYP.	MAX.	MIN.	TYP.	MAX.
A		0.70				
A2		1.00				
B		0.90				
C		0.20				
D		0.20				
E		0.40				
F					0.600	
G					0.100	
H					0.025	

Top View (SMT Footprint)



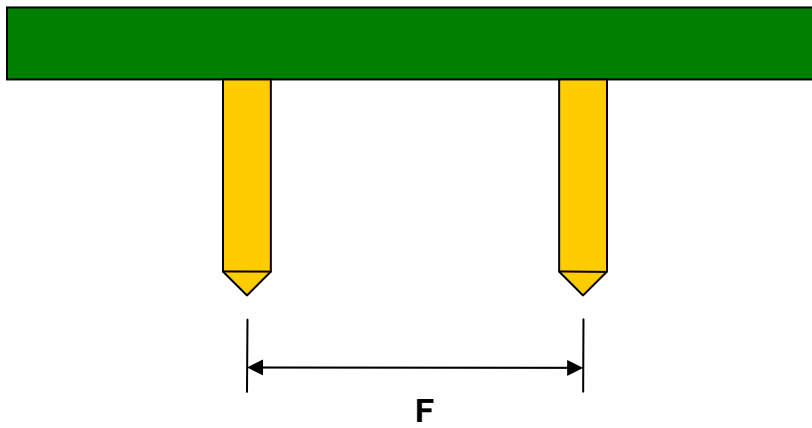
(Representative drawing only - not to scale)

**Bottom View (DIP Pins)**



(Representative drawing only - not to scale)

**Side View (DIP Pins)**



(Representative drawing only - not to scale)