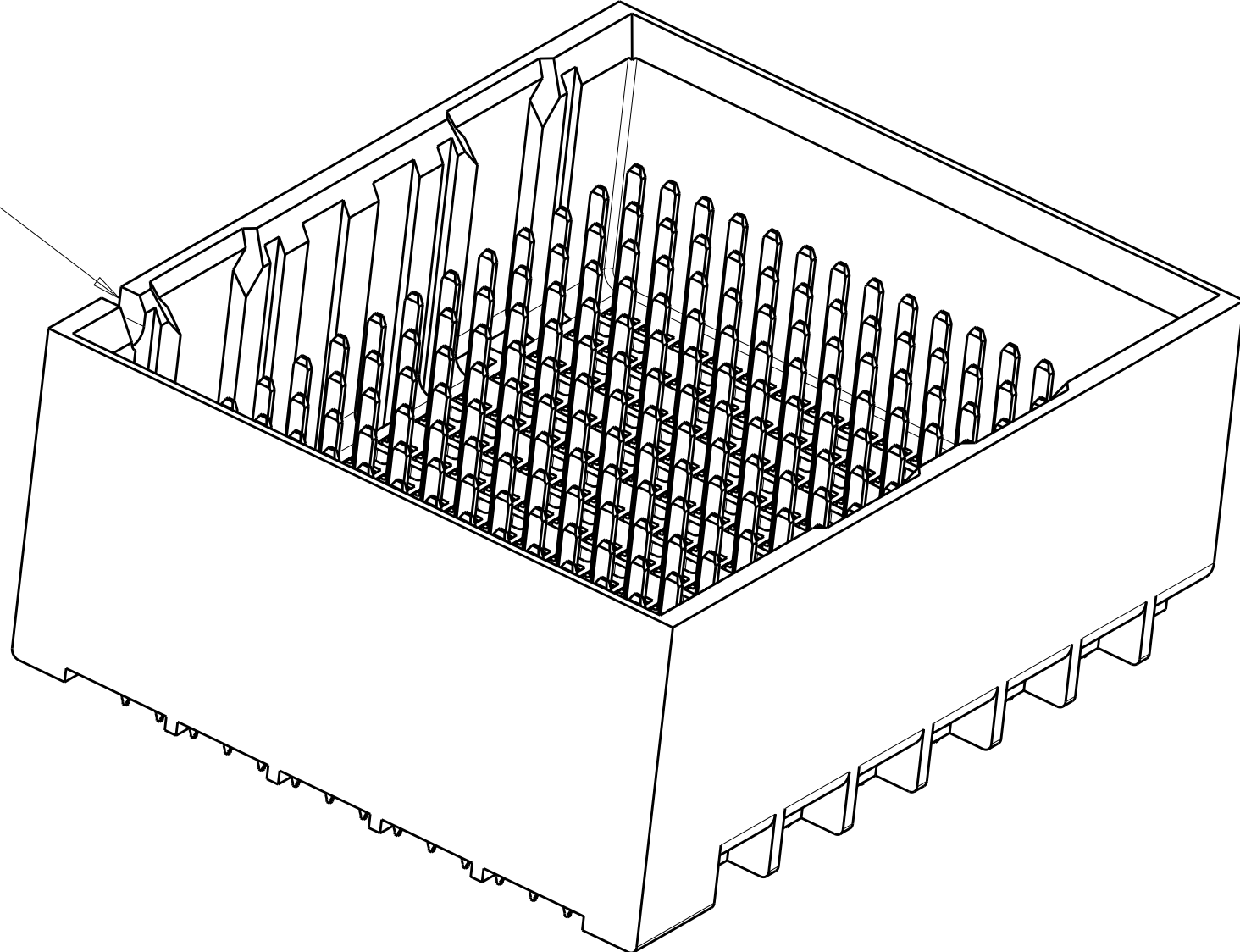
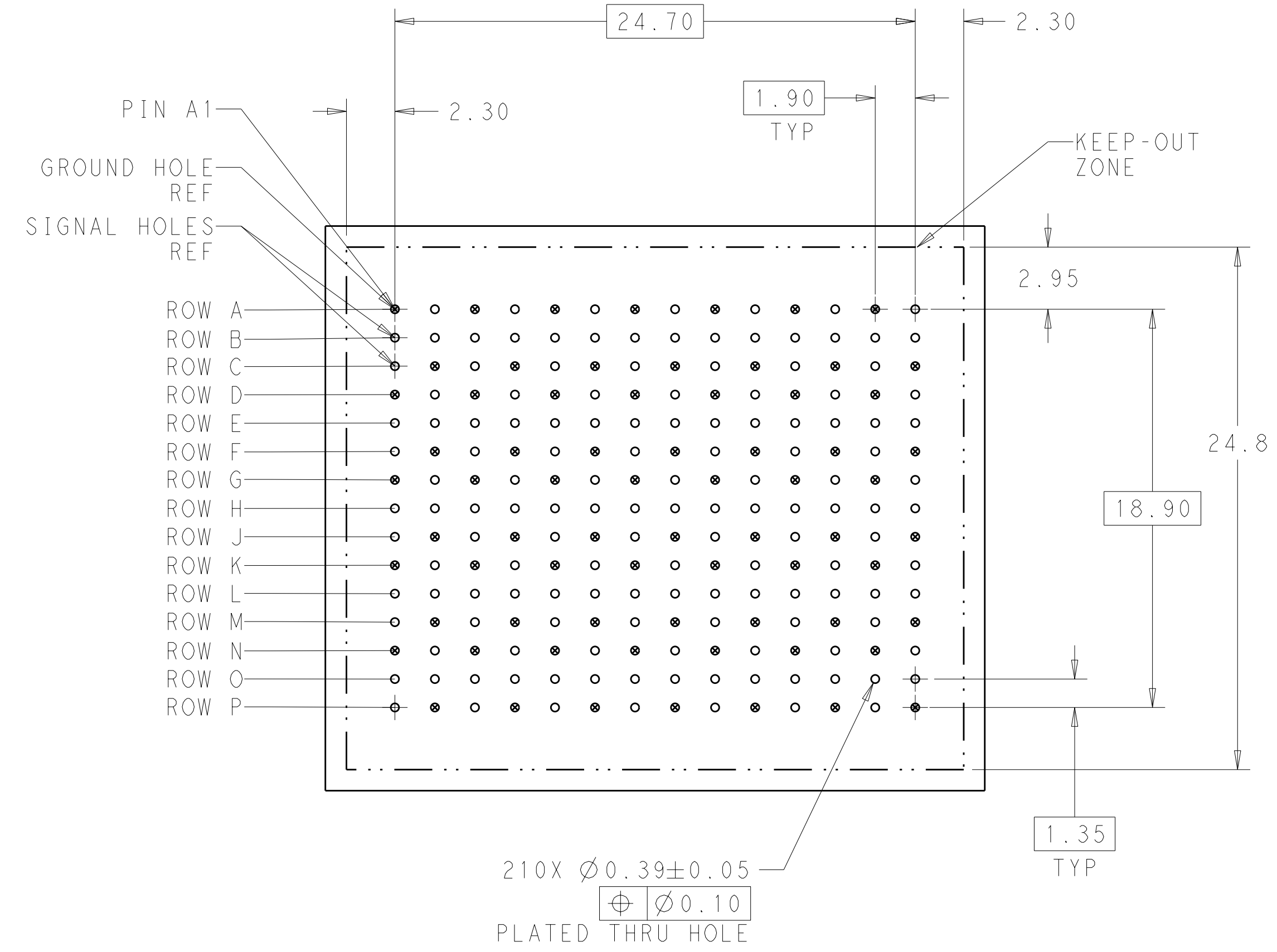
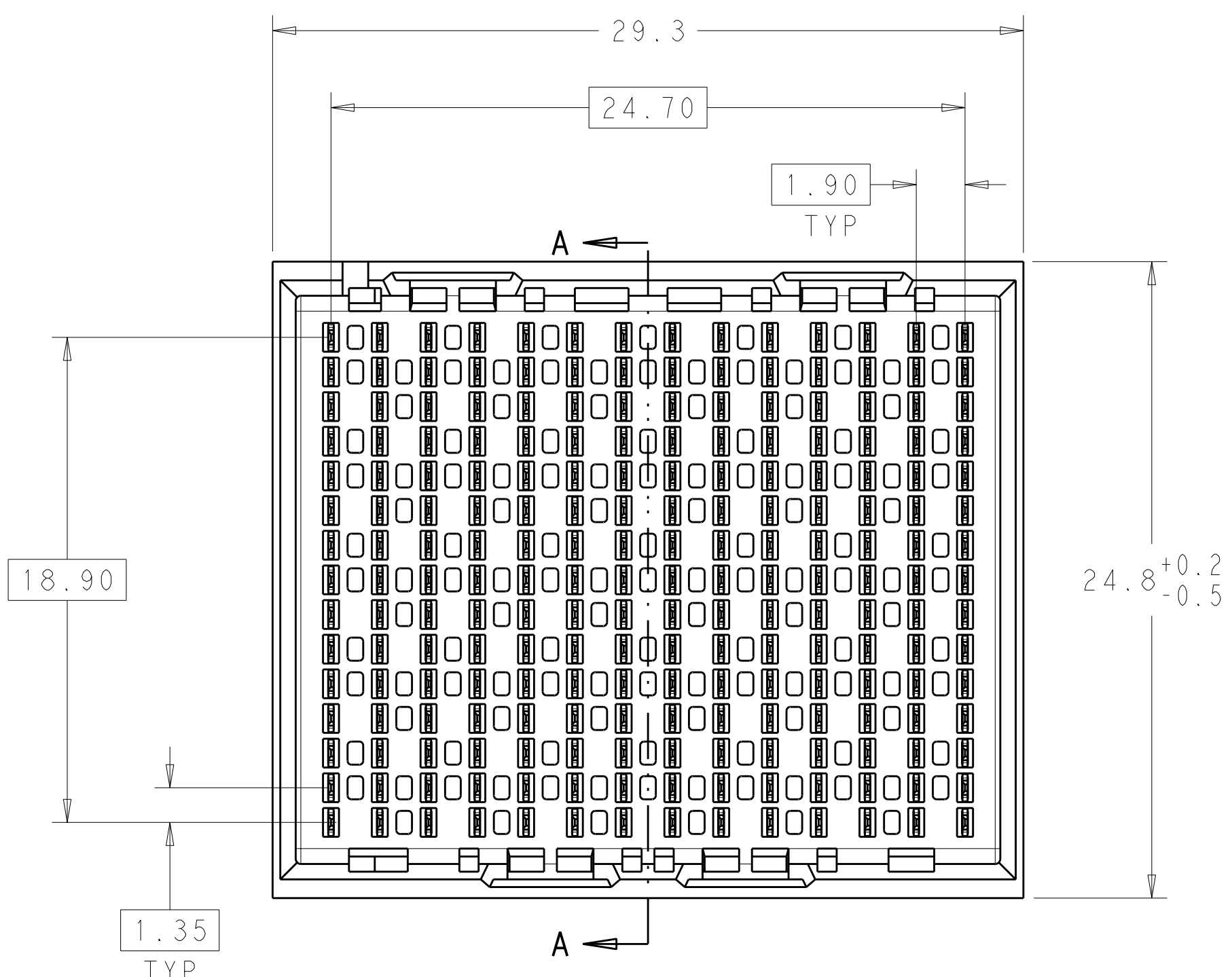


LOC	DIST	REVISIONS					
AD	00	P	LTB	DESCRIPTION	DATE	DWN	APVD
		1		DRAWING CREATED BY AUTOMATION PROGRAM	02MAY2011	-	JE
		2		2169868-2 ADDED TO PRINT	25APR2012	-	JE

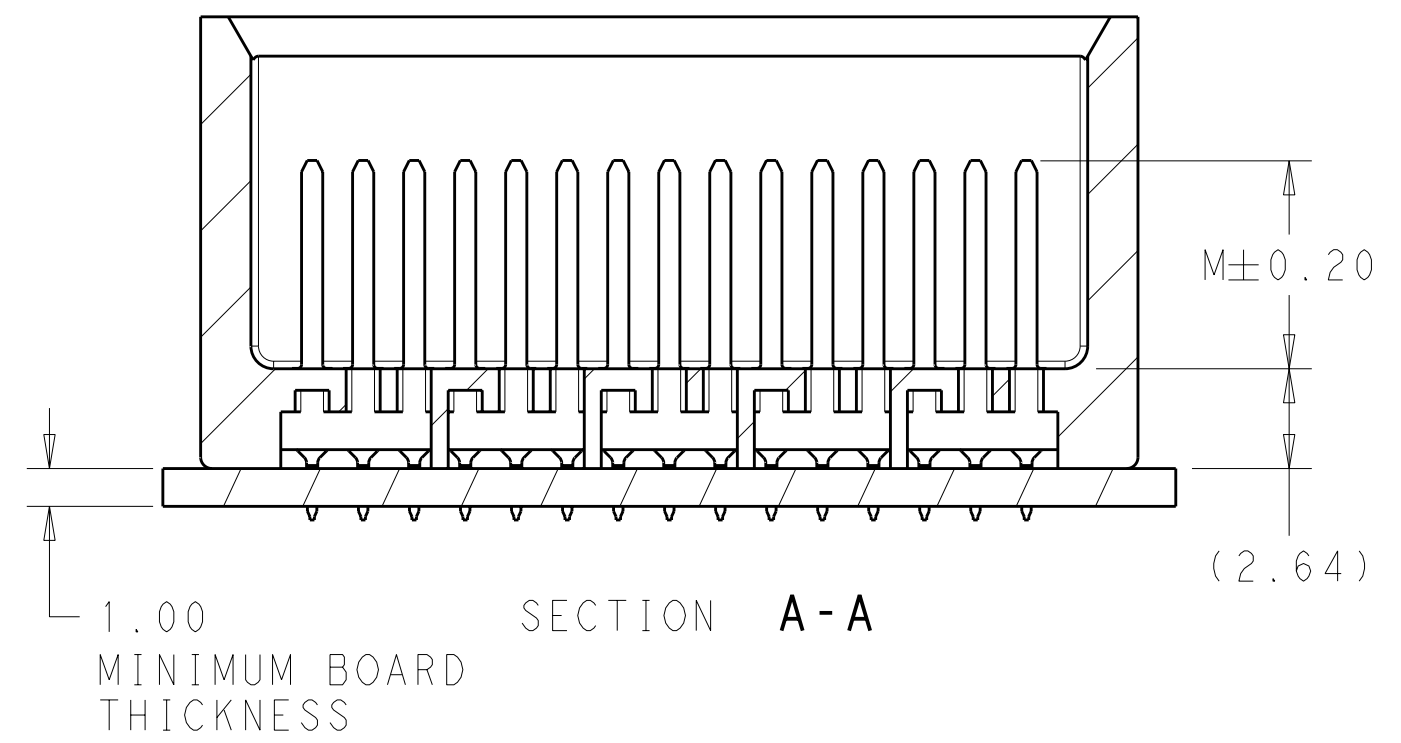
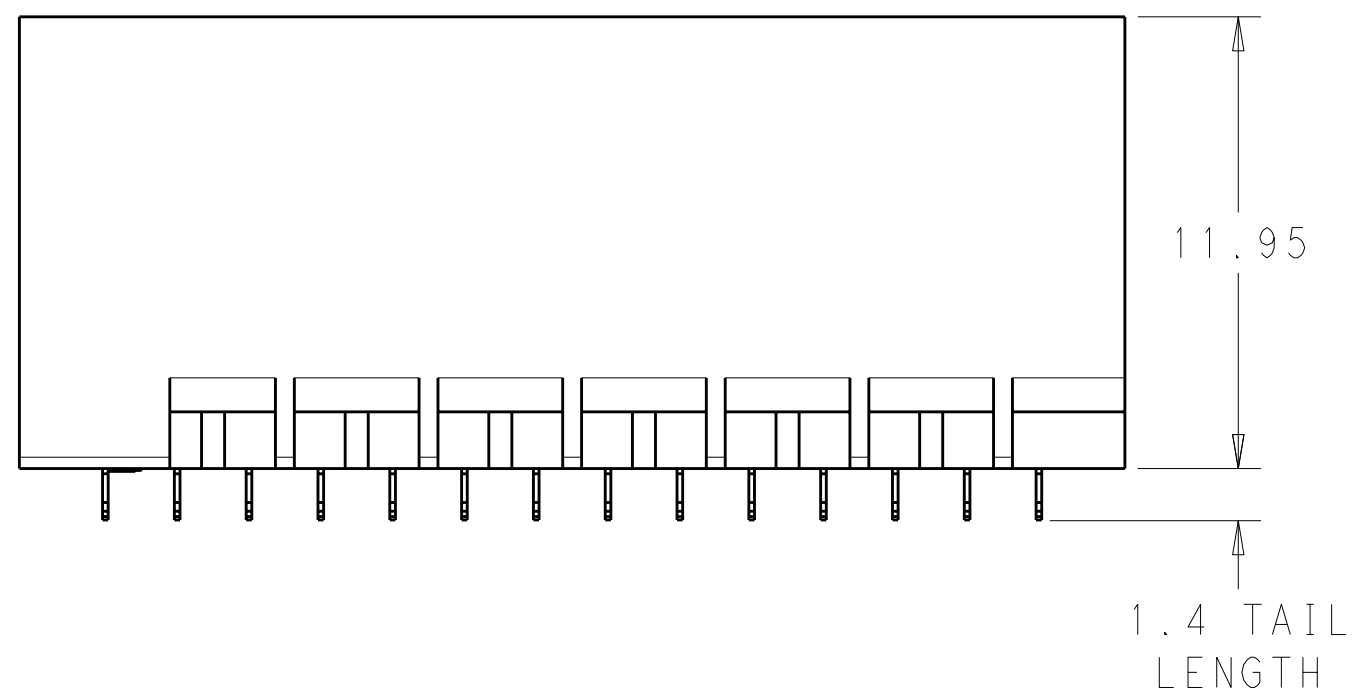
NOTCH DESIGNATES ROW A



- 1 MATERIAL:
HOUSING: LCP, GLASS FILLED, UL94V-0.
TERMINALS: HIGH PERFORMANCE COPPER ALLOY.
- 2 FINISH:
30µ" MIN GOLD IN CONTACT AREA. SELECTIVE TIN ON PCB TAILS, NICKEL OVERALL.



UNGUIDED BACKPLANE HOLE PATTERN (CONNECTOR SIDE)



DESIGN APPROVED THIS PRINT IS
PRELIMINARY
 TO FIRST PIECE APPROVAL CONTACT PRODUCT ENGINEERING BEFORE USING THIS PRINT

DIMENSIONS: mm TOLERANCES UNLESS OTHERWISE SPECIFIED: 0 PLC ± 1 PLC ±0.25 2 PLC ±0.13 3 PLC ± 4 PLC ± ANGLES ±		DWN: R. GRZYBOWSKI 02MAY2011 CHK: J. EARY 02MAY2011 APVD: J. EARY 02MAY2011 NAME:		Tyco Electronics Corporation Harrisburg, PA 17105-3808	
MATERIAL:		PRODUCT SPEC:		IMPACT, 5 PAIR, 14 COLUMN HEADER	
FINISH:		APPLICATION SPEC:		UNGUIDED, DUAL END WALL SIGNAL MODULE, 0.39 PTH, SELECT LOAD	
WEIGHT:		SIZE: CAGE CODE: DRAWING NO:		RESTRICTED TO:	
CUSTOMER DRAWING		A1100779C=2169868		SCALE: 5:1 SHEET 1 OF 2 REV 2	

THIS DRAWING IS UNPUBLISHED. RELEASED FOR PUBLICATION 20
 © COPYRIGHT 20 BY TYCO ELECTRONICS CORPORATION. ALL INTERNATIONAL RIGHTS RESERVED.

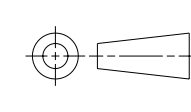
LOC	DIST	REVISIONS					
AD	00	P	LTB	DESCRIPTION	DATE	DWN	APVD
		-	-	SEE SHEET 1	-	-	-

2169868-1														
PART NUMBER														
CONTACT LAYOUT														
A = 4.5mm (DIM M)														
B = 4.9mm (DIM M)														
C = 5.5mm (DIM M)														
X = EMPTY														
COLUMNS														
	1	2	3	4	5	6	7	8	9	10	11	12	13	14
A	A	A	A	A	X	A	A	A	A	X	A	A	A	A
B	A	A	A	A	X	A	A	A	A	X	A	A	A	A
C	A	A	A	A	X	A	A	A	A	X	A	A	A	A
D	A	A	A	A	X	A	A	A	A	X	A	A	A	A
E	A	A	A	A	X	A	A	A	A	X	A	A	A	A
F	A	A	A	A	X	A	A	A	A	X	A	A	A	A
G	A	A	A	A	X	A	A	A	A	X	A	A	A	A
H	A	A	A	A	X	A	A	A	A	X	A	A	A	A
J	A	A	A	A	X	A	A	A	A	X	A	A	A	A
K	A	A	A	A	X	A	A	A	A	X	A	A	A	A
L	A	A	A	A	X	A	A	A	A	X	A	A	A	A
M	A	A	A	A	X	A	A	A	A	X	A	A	A	A
N	A	A	A	A	X	A	A	A	A	X	A	A	A	A
O	A	A	A	A	X	A	A	A	A	X	A	A	A	A
P	A	A	A	A	X	A	A	A	A	X	A	A	A	A

2169868-2														
PART NUMBER														
CONTACT LAYOUT														
A = 4.5mm (DIM M)														
B = 4.9mm (DIM M)														
C = 5.5mm (DIM M)														
X = EMPTY														
COLUMNS														
	1	2	3	4	5	6	7	8	9	10	11	12	13	14
A	A	A	A	A	A	A	X	X	A	A	A	A	A	A
B	A	A	A	A	A	A	X	X	A	A	A	A	A	A
C	A	A	A	A	A	A	X	X	A	A	A	A	A	A
D	A	A	A	A	A	A	X	X	A	A	A	A	A	A
E	A	A	A	A	A	A	X	X	A	A	A	A	A	A
F	A	A	A	A	A	A	X	X	A	A	A	A	A	A
G	A	A	A	A	A	A	X	X	A	A	A	A	A	A
H	A	A	A	A	A	A	X	X	A	A	A	A	A	A
J	A	A	A	A	A	A	X	X	A	A	A	A	A	A
K	A	A	A	A	A	A	X	X	A	A	A	A	A	A
L	A	A	A	A	A	A	X	X	A	A	A	A	A	A
M	A	A	A	A	A	A	X	X	A	A	A	A	A	A
N	A	A	A	A	A	A	X	X	A	A	A	A	A	A
O	A	A	A	A	A	A	X	X	A	A	A	A	A	A
P	A	A	A	A	A	A	X	X	A	A	A	A	A	A

REFER TO WWW.TE.COM
FOR PRODUCT AVAILABILITY

DESIGN APPROVED THIS PRINT IS
PRELIMINARY
TO FIRST PIECE APPROVAL
CONTACT PRODUCT ENGINEERING
BEFORE USING THIS PRINT

DIMENSIONS: mm 		TOLERANCES UNLESS OTHERWISE SPECIFIED: 9 PLC ± 1 PLC ±0.25 5 PLC ±0.13 4 PLC ± ANGLES ± FINISH SEE TABLE		DWN R. GRZYBOWSKI 02MAY2011 CHK J. EABY 02MAY2011 APVD J. EABY 02MAY2011		Tyco Electronics Corporation Harrisburg, PA 17105-3608	
MATERIAL		WEIGHT		NAME		RESTRICTED TO	
				IMPACT, 5 PAIR, 14 COLUMN, HEADER UNGUIDED, DUAL END WALL SIGNAL MODULE, 0.39 PTH, SELECT LOAD			
		CUSTOMER DRAWING		SIZE CAGE CODE DRAWING NO A100779C=2169868		SCALE 5:1 SHEET 2 OF 2 REV 2	