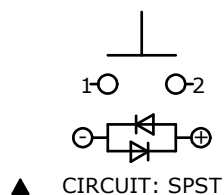
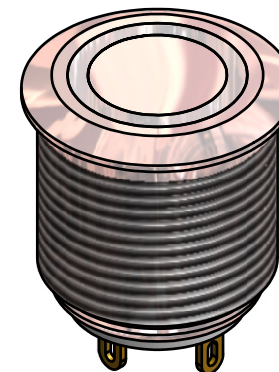
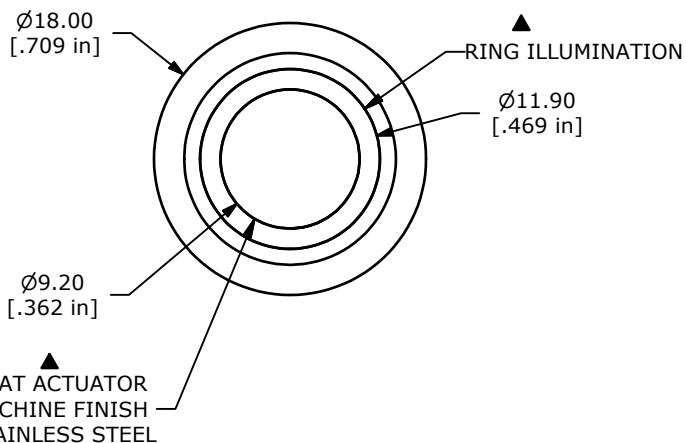
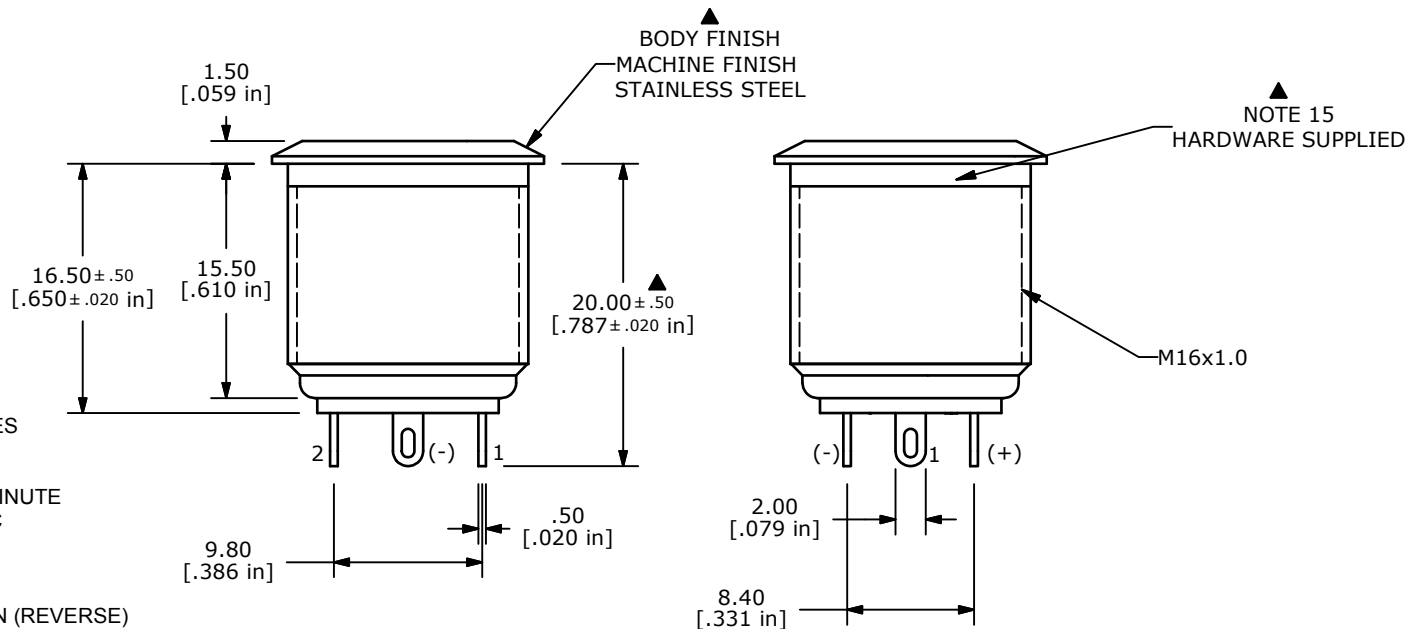


SWITCH FUNCTION	
POS. 1	POS. 2
OFF	(ON)
OPEN	1-2

(ON) = MOMENTARY



- NOTE:
- ALL DIMENSIONS IN MM [INCH]
 - GENERAL TOLERANCE: X.X=±0.4 X.XX=±0.25
 - TERMINAL NUMBERS FOR REF ONLY
 - CONTACT MATERIAL: SILVER PLATED
 - RATING: 2A 48VDC
 - ELECTRIC LIFE: 50,000 MAKE-AND-BREAK CYCLES AT FULL LOAD.
 - INSULATION RESISTANCE: 1,000MΩ MIN.
 - DIELECTRIC STRENGTH: 2,000VAC MIN. FOR 1 MINUTE
 - CONTACT RESISTANCE: 50mΩ MAX. @ 1A 12VDC
 - OPERATING TEMP.: -20°C to 55°C
 - TRAVEL: 1.8mm
 - ▲ DENOTES CRITICAL PARAMETER.
 - ILLUMINATION COLOR: RED (FORWARD), GREEN (REVERSE)
 - HARDWARE SUPPLIED: O-RING AND HEXNUT (NOT SHOWN)
 - ILLUMINATION BASE RATING: 1.8 v 20 mA FORWARD, 2.8 v 20 mA REVERSE
 - 2002/95/EC (ROHS) COMPLIANT



B	21610	REVISE NOTE 15	10/14/14	AS
A	21558	RELEASE FOR PRODUCTION	8/28/14	rc
REV	PCR NO	DESCRIPTION	DATE	BY

THE INFORMATION CONTAINED IN THIS DOCUMENT IS PROPRIETARY TO E-SWITCH AND IS NOT TO BE COPIED OR TRANSFERRED

E-SWITCH®

TITLE PV6F240SS-3G1				
SCALE	DATE 8/28/2014	DR rc	DWG 52-PV6F240SS3G1	REV B