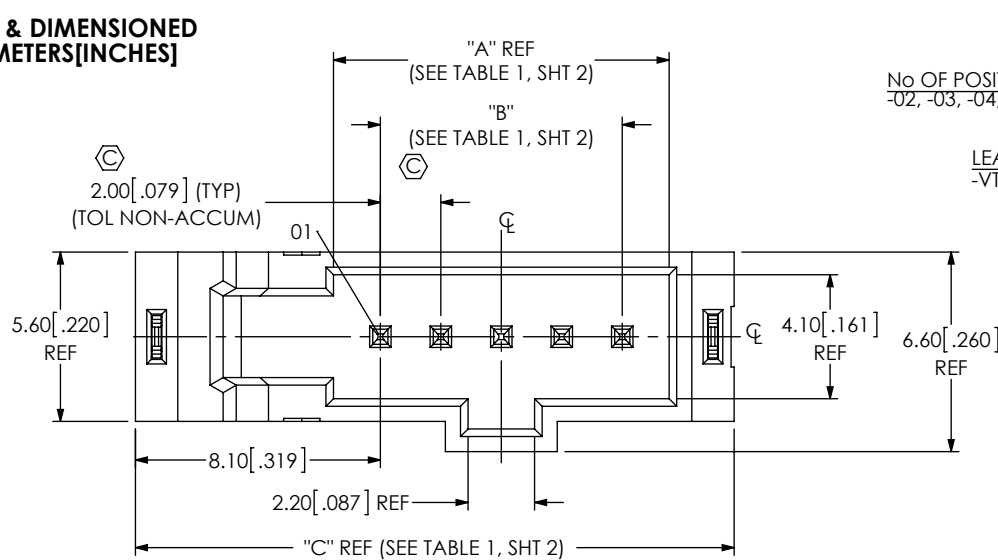


DESIGNED & DIMENSIONED  
IN MILLIMETERS [INCHES]

DO NOT  
SCALE FROM  
THIS PRINT



T21-XX-XX-X-S-XX

No OF POSITIONS  
-02, -03, -04, -05

TAIL OPTION  
-TH: THROUGH HOLE

ROW SPECIFICATION  
-S: SINGLE ROW

LEAD STYLE  
-VT: VERTICAL

PLATING SPECIFICATION  
-T: MATTE TIN CONTACT AND TAIL

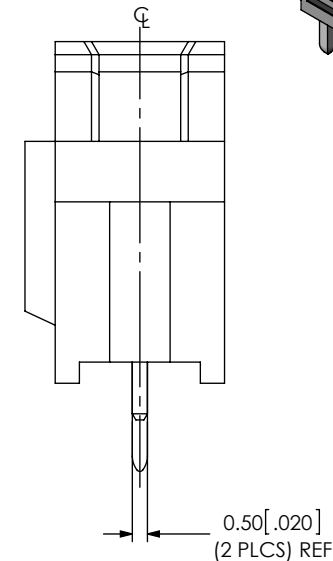
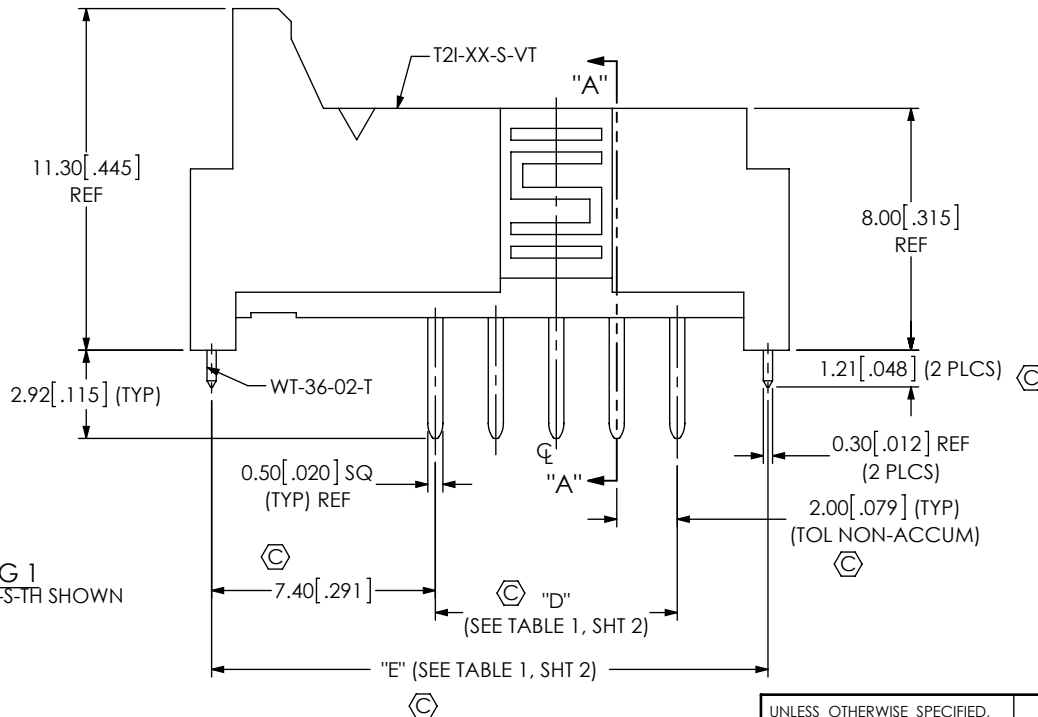
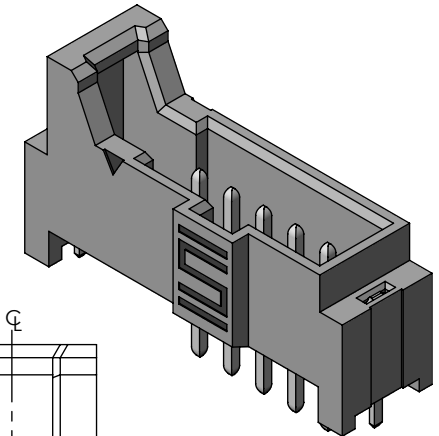


FIG 1  
T21-05-VT-X-S-TH SHOWN

NOTES:

1. REPRESENTS A CRITICAL DIMENSION.
2. MINIMUM PUSHOUT FORCE: 4.44N [1.0 LB] FOR TERMINAL, 2.22N [0.5 LB] FOR WELD TAB.
3. POST HEIGHT VARIATION BETWEEN ANY TWO PINS: 0.13 [0.005] MAXIMUM.
4. MAXIMUM PIN ROTATION IN BODY TO BE 2°.
5. NOT RECOMMENDED FOR INVERTED REFLOW SOLDER.

UNLESS OTHERWISE SPECIFIED,  
DIMENSIONS ARE IN MILLIMETERS.  
TOLERANCES ARE:  
DECIMALS ANGLES  
X.X: ±0.3 [01] 2°  
X.XX: ±0.13 [005]  
X.XXX: ±0.051 [0020]

PROPRIETARY NOTE

THIS DOCUMENT CONTAINS INFORMATION  
CONFIDENTIAL AND PROPRIETARY TO  
SAMTEC, INC. AND SHALL NOT BE REPRODUCED  
OR TRANSFERRED TO OTHER DOCUMENTS OR  
DISCLOSED TO OTHERS OR USED FOR ANY  
PURPOSE OTHER THAN THAT WHICH IT WAS  
OBTAINED WITHOUT THE EXPRESSED WRITTEN  
CONSENT OF SAMTEC, INC.



520 PARK EAST BLVD, NEW ALBANY, IN 47150  
PHONE: 812-944-6733 FAX: 812-948-5047  
e-Mail info@SAMTEC.com code 53322

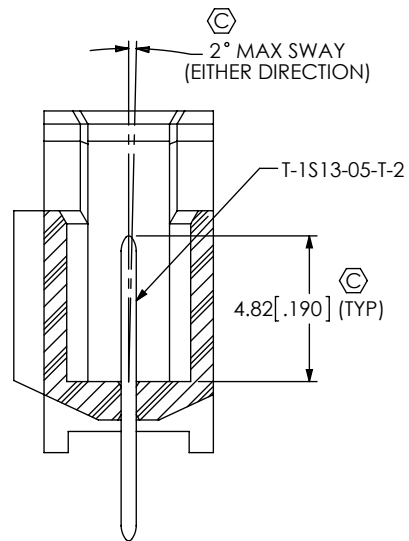
MATERIAL: DO NOT SCALE DRAWING  
INSULATOR: LCP, COLOR: BLACK  
TERMINAL: PHOS BRONZE

SHEET SCALE: 4:1

DESCRIPTION:  
2MM SINGLE ROW AND HINGED IDC ASSEMBLY

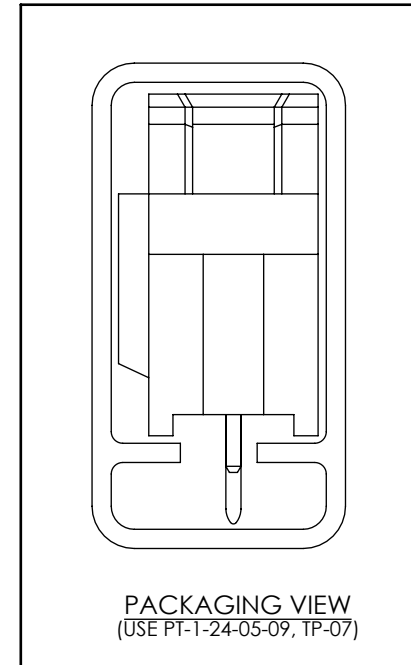
DWG. NO.  
T21-XX-XX-X-S-XX

BY: VICKY Z 05/15/2013 SHEET 1 OF 2



SECTION "A"- "A"

TABLE 1					
No OF POS	"A"	"B"	"C"	"D"	"E"
-02	5.10 [0.201]	2.00 [0.079]	13.80 [0.543]	2.00 [0.079]	12.40 [0.488]
-03	7.10 [0.280]	4.00 [0.157]	15.80 [0.622]	4.00 [0.157]	14.40 [0.567]
-04	9.10 [0.358]	6.00 [0.236]	17.80 [0.701]	6.00 [0.236]	16.40 [0.646]
-05	11.10 [0.437]	8.00 [0.315]	19.80 [0.780]	8.00 [0.315]	18.40 [0.724]



<p><b>PROPRIETARY NOTE</b></p> <p>THIS DOCUMENT CONTAINS INFORMATION CONFIDENTIAL AND PROPRIETARY TO SAMTEC, INC. AND SHALL NOT BE REPRODUCED OR TRANSFERRED TO OTHER DOCUMENTS OR DISCLOSED TO OTHERS OR USED FOR ANY PURPOSE OTHER THAN THAT WHICH IT WAS OBTAINED WITHOUT THE EXPRESSED WRITTEN CONSENT OF SAMTEC, INC.</p> <p>DO NOT SCALE DRAWING</p> <p>SHEET SCALE: 4:1</p>	<p>520 PARK EAST BLVD, NEW ALBANY, IN 47150 PHONE: 812-944-6733 FAX: 812-948-5047 e-Mail info@SAMTEC.com code 55322</p>	
	<p>DESCRIPTION: 2MM SINGLE ROW AND HINGED IDC ASSEMBLY</p>	
	<p>DWG. NO. <b>T2I-XX-XX-X-S-XX</b></p>	
	<p>BY: VICKY Z</p>	<p>05/15/2013</p>