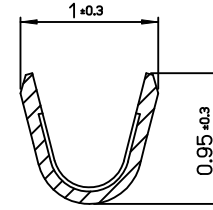
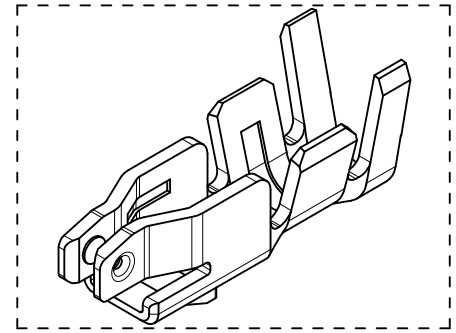


SECTION X-X

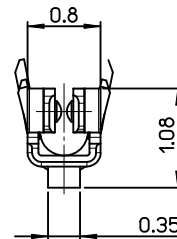
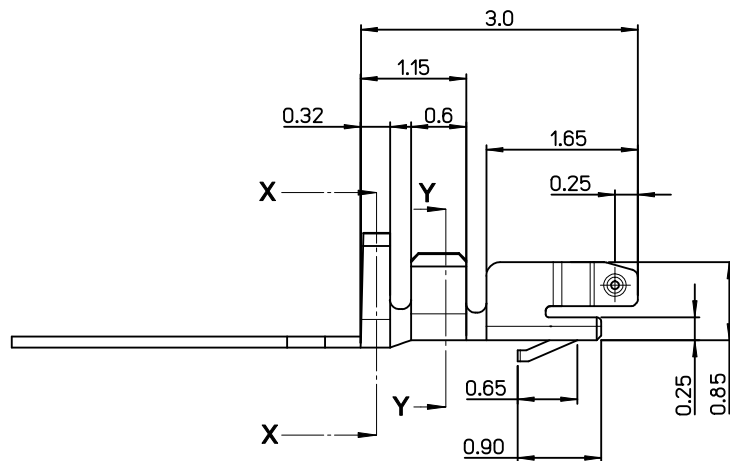


SECTION Y-Y



NOTES.

1. APPLICABLE HOUSING : 104131-0300 /104131-0500
2. MATERIAL : PHOSPHOR BRONZE, 0.12mm THICKNESS
PRE-TIN PLATED
0.8~1.8 μm TIN (Sn) OVER
0.3~0.8 μm COPPER
3. APPLICABLE WIRE RANGE : AWG#28 ,AWG#30, AWG#32
(INSULATION RANGE : 1.06 DIA.mm MAX.)



ORDER NUMBER 104539-8102

REVISED IEC NO: KOR2012-0090 DRWN: JHPARK01 2012/02/17 CHKD: SHCHU 2012/02/17 APPR: YSK IM02 2012/03/15 A1	QUALITY SYMBOLS = 0 = 0.15	GENERAL TOLERANCES (UNLESS SPECIFIED)		DIMENSION STYLE MM ONLY		SCALE 1/1	DESIGN UNITS METRIC	THIRD ANGLE PROJECTION	
		4 PLACES ± --- ± ---	3 PLACES ± --- ± ---	DRAWN BY JHPARK01	DATE 2012/02/17	TITLE 1.25MM WTB CONN. RECEPTACLE TERMINAL			
		2 PLACES ± 0.15 ± ---	1 PLACE ± 0.15 ± ---	CHECKED BY	DATE				
		ANGULAR ± 1 °		APPROVED BY		DATE	MOLEX INCORPORATED		SHEET NO. 1 OF 01
DRAFT WHERE APPLICABLE MUST REMAIN WITHIN DIMENSIONS		MATERIAL NO. 1045398102		DOCUMENT NO. SD-104539-002		THIS DRAWING CONTAINS INFORMATION THAT IS PROPRIETARY TO MOLEX INCORPORATED AND SHOULD NOT BE USED WITHOUT WRITTEN PERMISSION			