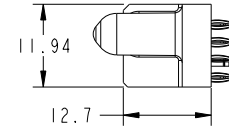
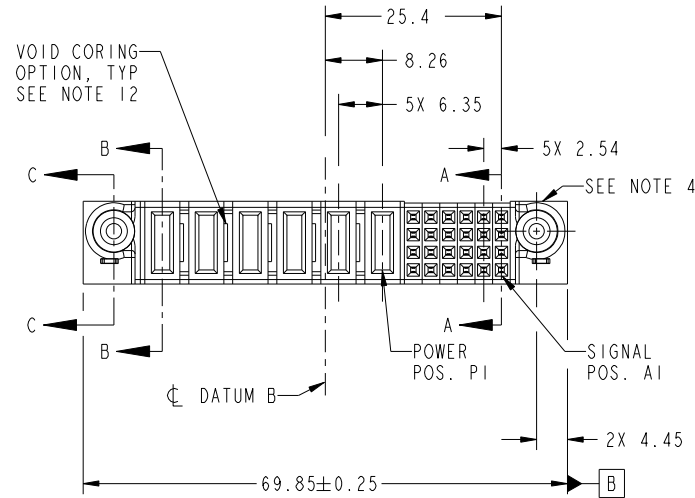


Tous droits strictement reserves. Reproduction ou communication a des tiers interdite sous quelque forme que ce soit sans autorisation écrite du propriétaire. Propriete de c FCI. Droits de reproduction FCI.



All rights strictly reserved. Reproduction or issue to third parties in any form whatever is not permitted without written authority from the proprietor. Property of FCI. Copyright FCI.

| PRODUCT NO. | ROWS | POWER | | | | | | SIGNAL | | | | | | | |
|------------------------|------------------|-------|----|----|----|----|----|--------|---|---|---|---|---|---|----|
| | | E2 | P6 | P5 | P4 | P3 | P2 | P1 | 6 | 5 | 4 | 3 | 2 | 1 | E1 |
| 51940-288-- NOTE: 3 | D C B A | | PC | PC | PF | PF | PF | PF | F | F | F | F | F | F | |



| CODE | DIM "M" MATING LENGTH | CONTACT TYPE |
|------|-----------------------|--------------|
| PF | [2.34] | POWER |
| F | [N/A] | SIGNAL |
| HA | [N/A] | HOLD-DOWN |
| PC | [1.07] | POWER |

| | | | | | | | | | | | |
|-------------|----------------|----|----------|-----------|----------------------|---------------------------------------|--|----------------|--|---------------------------|--|
| mat'l code | | | | SEE NOTES | | tolerances unless otherwise specified | | CUSTOMER | | www.fciconnect.com | |
| ltr | ecn no. | dr | date | linear | 0.X ±0.5 | projection | | COPY | | title | |
| A | DG09-0108 | WD | 04/08/09 | angles | 0.XX ±0.25 | | | MIM | | 24S + 6P | |
| | | | | dr | 0.XXX ±0.1 | | | product family | | VERTICAL PRESS-FIT RECEPT | |
| | | | | enr | 0° ±2° | scale | | PwrBlade | | code | |
| | | | | chr | Warren Du 04/01/09 | 1:1 | | size | | 213 | |
| | | | | appd | Warren Du 04/01/09 | | | dwg no | | sheet | |
| | | | | | PM ZHENG 04/01/09 | | | A 51940-288 | | 1 of 4 | |
| | | | | | Joseph Hsia 04/01/09 | | | | | | |
| sheet index | revision sheet | A | A | A | A | | | | | | |
| | | 1 | 2 | 3 | 4 | | | | | | |

cage code 22526

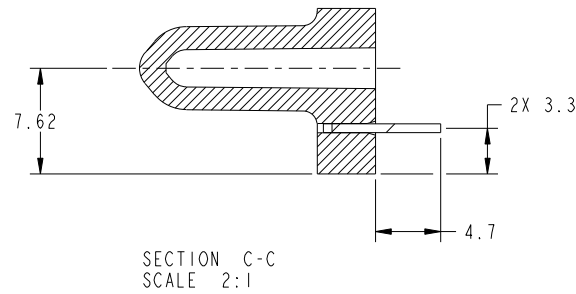
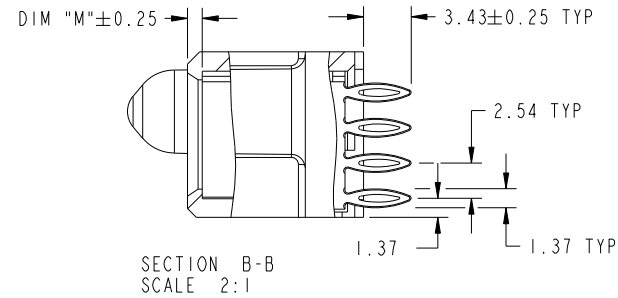
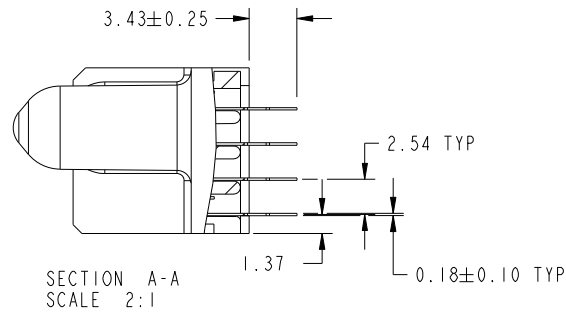
Pro/E

Tous droits strictement reserves. Reproduction ou communication a des tiers interdite sous quelque forme que ce soit sans autorisation écrite du propriétaire. Propriete de c FCI. Droits de reproduction FCI.



All rights strictly reserved. Reproduction or issue to third parties in any form whatever is not permitted without written authority from the proprietor. Property of FCI. Copyright FCI.

PRODUCT NUMBER
51940-288_
NOTE: 3



| | | | | | | | | | |
|-------------|----------------|----|------|---------------------------------------|----------------------|------------|--|------------------------------|--|
| mat'l code | | | | tolerances unless otherwise specified | | CUSTOMER | | FCI | |
| ltr | ecn no. | dr | date | linear | 0.X ±0.5 | COPY | | www.fciconnect.com | |
| A | | | | | 0.XX ±0.25 | projection | | title 24S + 6P | |
| | | | | angles | 0.XXX ±0.1 | | | VERTICAL PRESS-FIT RECEPT | |
| | | | | dr | 0° ±2° | | | product family PwrBlade code | |
| | | | | enr | Warren Du 04/01/09 | scale | | size 213 | |
| | | | | chr | Warren Du 04/01/09 | 1:1 | | dwg no 51940-288 | |
| | | | | appd | PM ZHENG 04/01/09 | | | sheet 2 of 4 | |
| | | | | | Joseph Hsia 04/01/09 | | | | |
| sheet index | revision sheet | | | | | | | | |

cage code 22526

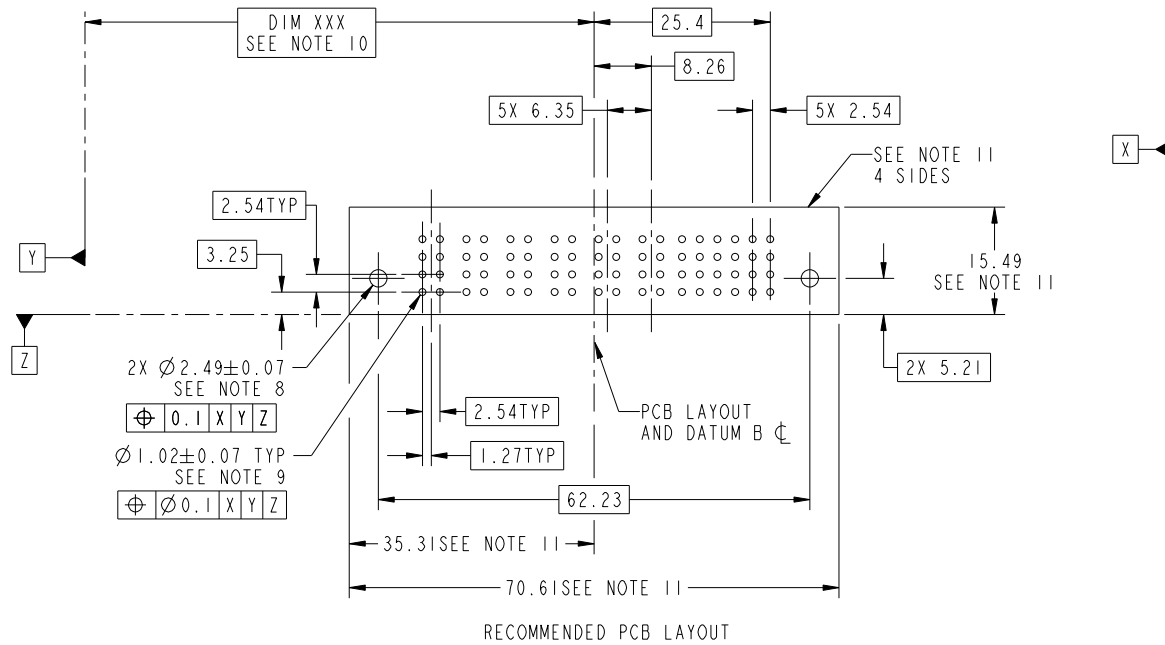
Pro/E

Tous droits strictement reserves. Reproduction ou communication a des tiers interdite sous quelque forme que ce soit sans autorisation ecrite du proprietaire. Propriete de c FCI. Droits de reproduction FCI.

All rights strictly reserved. Reproduction or issue to third parties in any form whatever is not permitted without written authority from the proprietor. Property of FCI. Copyright FCI.



PRODUCT NUMBER
51940-288_
NOTE: 3



| | | | | | | | | | |
|-------------|----------------|----|------|---------------------------------------|----------------------|------------|--|----------------------------------|--|
| mat'l code | | | | tolerances unless otherwise specified | | CUSTOMER | | FCI | |
| ltr | ecn no. | dr | date | linear | 0.X ±0.5 | COPY | | www.fciconnect.com | |
| A | | | | | 0.XX ±0.25 | projection | | title 24S + 6P | |
| | | | | angles | 0.XXX ±0.1 | | | VERTICAL PRESS-FIT RECEPT | |
| | | | | dr | 0° ±2° | MIM | | product family PwrBlade code 213 | |
| | | | | enrg | Warren Du 04/01/09 | | | size dwg no 213 | |
| | | | | chr | Warren Du 04/01/09 | scale 1:1 | | sheet 3 of 4 | |
| | | | | appd | PM ZHENG 04/01/09 | | | A 51940-288 | |
| | | | | | Joseph Hsia 04/01/09 | | | | |
| sheet index | revision sheet | | | | | | | | |

RECOMMENDED PCB LAYOUT

Pro/E

cage code 22526

Tous droits strictement reserves. Reproduction ou communication a des tiers interdite sous quelque forme que ce soit sans autorisation écrite du propriétaire. Propriete de c FCI. Droits de reproduction FCI.



All rights strictly reserved. Reproduction or issue to third parties in any form whatever is not permitted without written authority from the proprietor. Property of FCI. Copyright FCI.

PRODUCT NUMBER
51940-288_
NOTE: 3

NOTES:

1. DIMENSIONS AND TOLERANCES ARE IN ACCORDANCE WITH ASME Y14.5M, 1994 UNLESS OTHERWISE SPECIFIED.

CONNECTOR NOTES:

- ② HOUSING MATERIAL: UL 94 V-0 GLASS FILLED HIGH-TEMP THERMOPLASTIC
POWER CONTACT MATERIAL: COPPER ALLOY
SIGNAL PIN MATERIAL: COPPER ALLOY
- 3. SEE ITEM 7 & 8 IN PRINT 10064183 FOR PLATING SPEC OF 51940-288 AND 51940-288LF RESPECTIVELY.
- ④ MANUFACTURER'S NAME, P/N, AND DATE CODE TO APPEAR ON THIS SURFACE.
- 5. PRODUCT SPECIFICATION GS-12-149.
APPLICATION SPECIFICATION BUS-20-067.
- 6. PACKAGED IN TRAYS.

PCB NOTES:

- 7. ALL HOLE DIAMETERS ARE FINISHED HOLE SIZE.
- ⑧ MOUNTING HOLES, WHERE APPLICABLE, ARE UNPLATED.
- ⑨ $\varnothing 1.151 \pm 0.025$ DRILLED HOLES PLATED WITH
0.008 MIN SnPb OR Sn OVER 0.03
TO 0.08 Cu PLATING TO ACHIEVE
 $\varnothing 1.02 \pm 0.07$ HOLE.
- ⑩ "DIM XXX" TO BE DETERMINED BY THE CUSTOMER.
- ⑪ CONNECTOR KEEP-OUT ZONE.
- 12. THE VOID CORING IN BETWEEN POWER MODULES, SIGNAL MODULES AND END MODULES ARE OPTIONAL AND THE SHAPE MAY BE DIFFERENT FOR OPTIMIZE THE MOLDING PROCESS. THE VOID CORING WILL NOT EFFECT TO PRODUCT FUNCTION.

| | | | | | | | | | |
|-------------|----------------|----|------|---------------------------------------|----------------------|------------|---------------------------------------|------------------------------|--------|
| mat'l code | | | | tolerances unless otherwise specified | | CUSTOMER | | FCI | |
| lfr | ecn no. | dr | date | linear | 0.X ± 0.5 | COPY | | www.fciconnect.com | |
| A | | | | | 0.XX ± 0.25 | projection | title | | |
| | | | | | 0.XXX ± 0.1 | | 24S + 6P VERTICAL PRESS-FIT RECEPT | | |
| | | | | angles | 0° ± 2° | | | product family PwrBlade code | |
| | | | | dr | Warren Du 04/01/09 | MIM | | size | 213 |
| | | | | enrg | Warren Du 04/01/09 | | | dwg no | sheet |
| | | | | chr | PM ZHENG 04/01/09 | scale | | A | 4 of 4 |
| | | | | appd | Joseph Hsia 04/01/09 | 1:1 | | 51940-288 | |
| sheet index | revision sheet | | | | | | | | |

cage code 22526

Pro/E