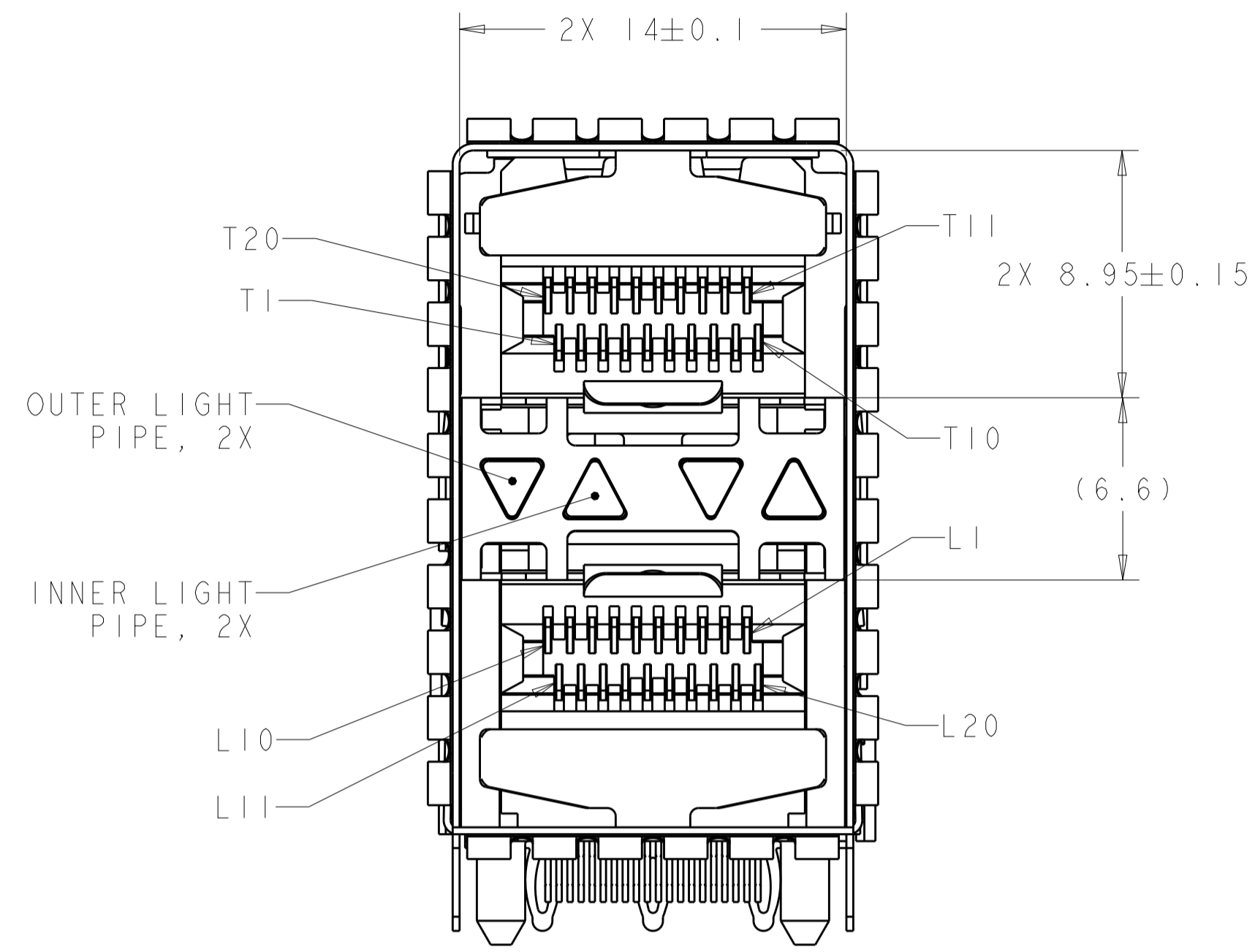
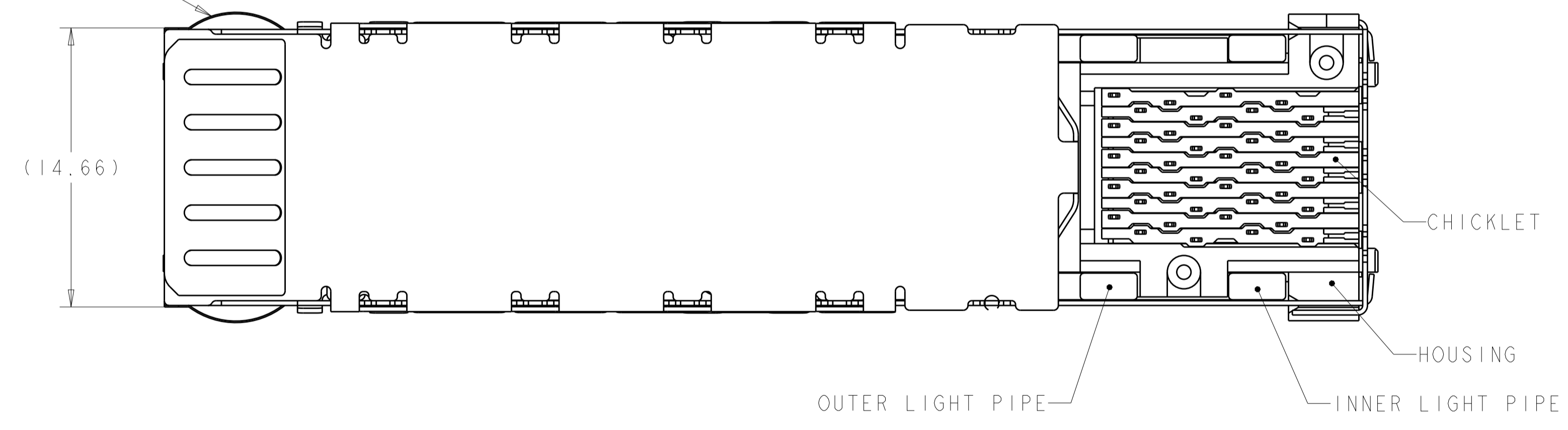
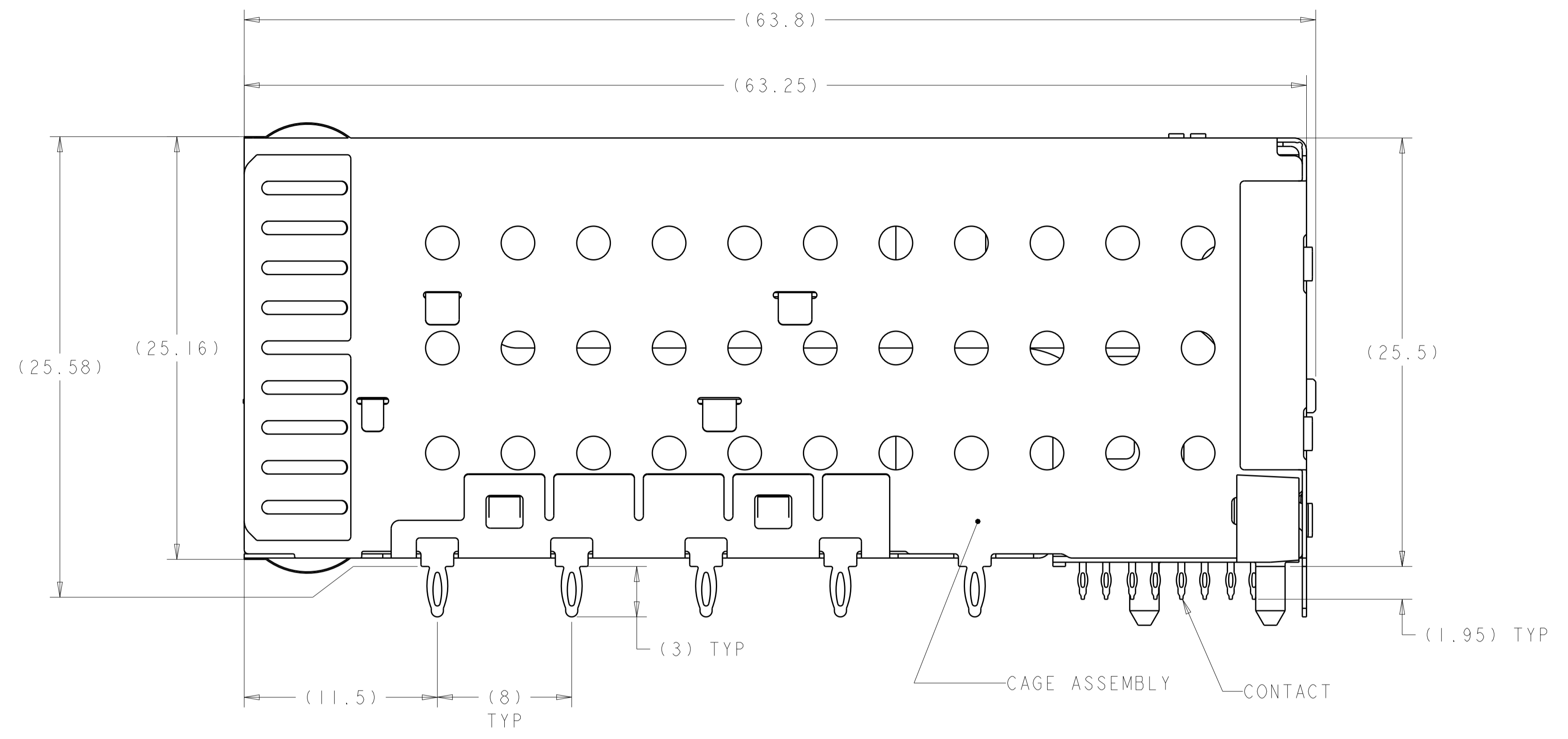


LOC		DIST		REVISIONS			
P	LTN	DESCRIPTION	DATE	DWN	APVD		
B1		REVISED PER ECO-11-004835	11MAR2011	RK	HMR		
C		REVISED PER ECO-11-020849	11JAN2011	CJV	PAR		
C1		REVISED PER ECO-13-003678	09APR2013	CJV	PAR		
D		REVISED PER ECO-15-017919	04APR2016	AP	PR		



2007492-5 AS SHOWN



- 1 MATERIALS:
 CAGE ASSEMBLY- NICKEL SILVER ALLOY PER ASTM B 122.
 EMI SPRING- COPPER ALLOY.
 HOUSING- BLACK LCP, UL 94V-0 RATED.
 CHICKLET- BLACK LCP, UL 94V-0 RATED.
 LIGHT PIPE- POLYCARBONATE, CLEAR.
 INSERT- LCP, BLACK, UL 94V-0.
 CONTACT- COPPER ALLOY.
- 2 DATUM AND BASIC DIMENSIONS ESTABLISHED BY CUSTOMER.
- 3. MINIMUM PCB THICKNESS OF 1.5.
- 4 CONTACT FINISH- CONFORMS TO THE REQUIREMENTS OF TE CONNECTIVITY PRODUCT SPECIFICATION 108-2331, BASED ON EIA/ECA-364-1000.01A, (CONTROLLED ENVIRONMENT APPLICATIONS) ON MATING INTERFACE, TIN-LEAD ON NEEDLE EYE.
- 5 CONTACT FINISH- CONFORMS TO THE REQUIREMENTS OF TE CONNECTIVITY PRODUCT SPECIFICATION 108-2331, BASED ON EIA/ECA-364-1000.01A, (CONTROLLED ENVIRONMENT APPLICATIONS) ON MATING INTERFACE, TIN ON NEEDLE EYE.
- 6 FOR HOLE SIZE AND PLATINGS, SEE APPLICATION SPEC 114-13219.
- 7 THE ENTIRE AREA OF THE CONNECTOR FOOTPRINT, INDICATED BY THE DASHED LINE, TO BE CONSIDERED THE KEEPOUT AREA FOR COMPONENTS AND SIGNAL TRACES, TOP SIDE ONLY. TOP SIDE TRACES ALLOWED WITHIN CONNECTOR HOLE PATTERN.
- 8 LIGHT PIPE PAD LAYOUT IS FOR 0805 LOW PROFILE LED PACKAGE WITH A HEIGHT OF 0.8mm.
- 9 EMI SPRING FINISH: 0.8µm MINIMUM MATTE TIN OVER 0.8µm MINIMUM NICKEL, NONPLATED EDGES PERMISSIBLE.
- 10 ADDITIONAL COMPONENT LOCATED WITHIN LATCH PLATE FOR EMI SUPPRESSION.

YES	NO	ENHANCED EMI	FINISH	DESCRIPTION	PART NUMBER
YES				NO LIGHT PIPES	1-2007492-8
				OUTER 2 LIGHT PIPES	1-2007492-7
				INNER 2 LIGHT PIPES	1-2007492-6
				4 LIGHT PIPES	1-2007492-5
				NO LIGHT PIPES	2007492-8
				OUTER 2 LIGHT PIPES	2007492-7
				INNER 2 LIGHT PIPES	2007492-6
				4 LIGHT PIPES	2007492-5
				NO LIGHT PIPES	2007492-4
				OUTER 2 LIGHT PIPES	2007492-3
				INNER 2 LIGHT PIPES	2007492-2
				4 LIGHT PIPES	2007492-1

THIS DRAWING IS A CONTROLLED DOCUMENT. DIMENSIONING AND TOLERANCING PER ASME Y14.5M-2009.

DIMENSIONS: mm

TOLERANCES UNLESS OTHERWISE SPECIFIED:

0 PLC	±0.10
1 PLC	±0.10
2 PLC	±0.10
3 PLC	±0.10
4 PLC	±0.10
ANGLES	±°
FINISH	±

MATERIAL: 1

FINISH: 4, 5, 9

THIS DRAWING IS A CONTROLLED DOCUMENT. DWN: M. SHIRK, 30NOV2007. CHK: D. SZCZESNY, 30NOV2007. APVD: D. SZCZESNY, 30NOV2007.

PRODUCT SPEC: 108-2331

APPLICATION SPEC: 114-13219

WEIGHT: -

CUSTOMER DRAWING

SCALE: 5:1

SHEET 1 OF 4

REV D

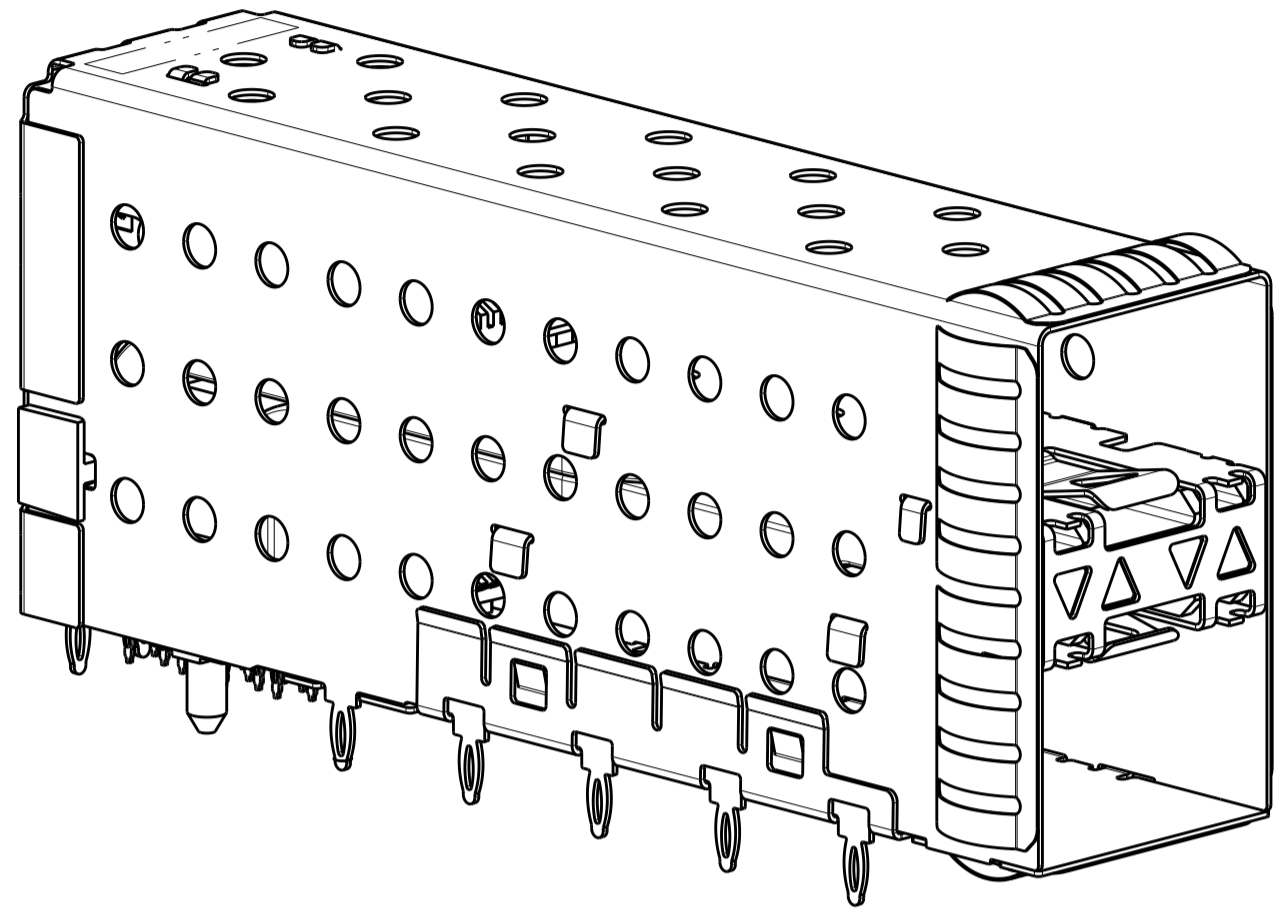
TE Connectivity

CAGE AND PT CONNECTOR ASSEMBLY, WITH EMI SPRINGS, PRESS FIT, 2X1, STACKED SFP+

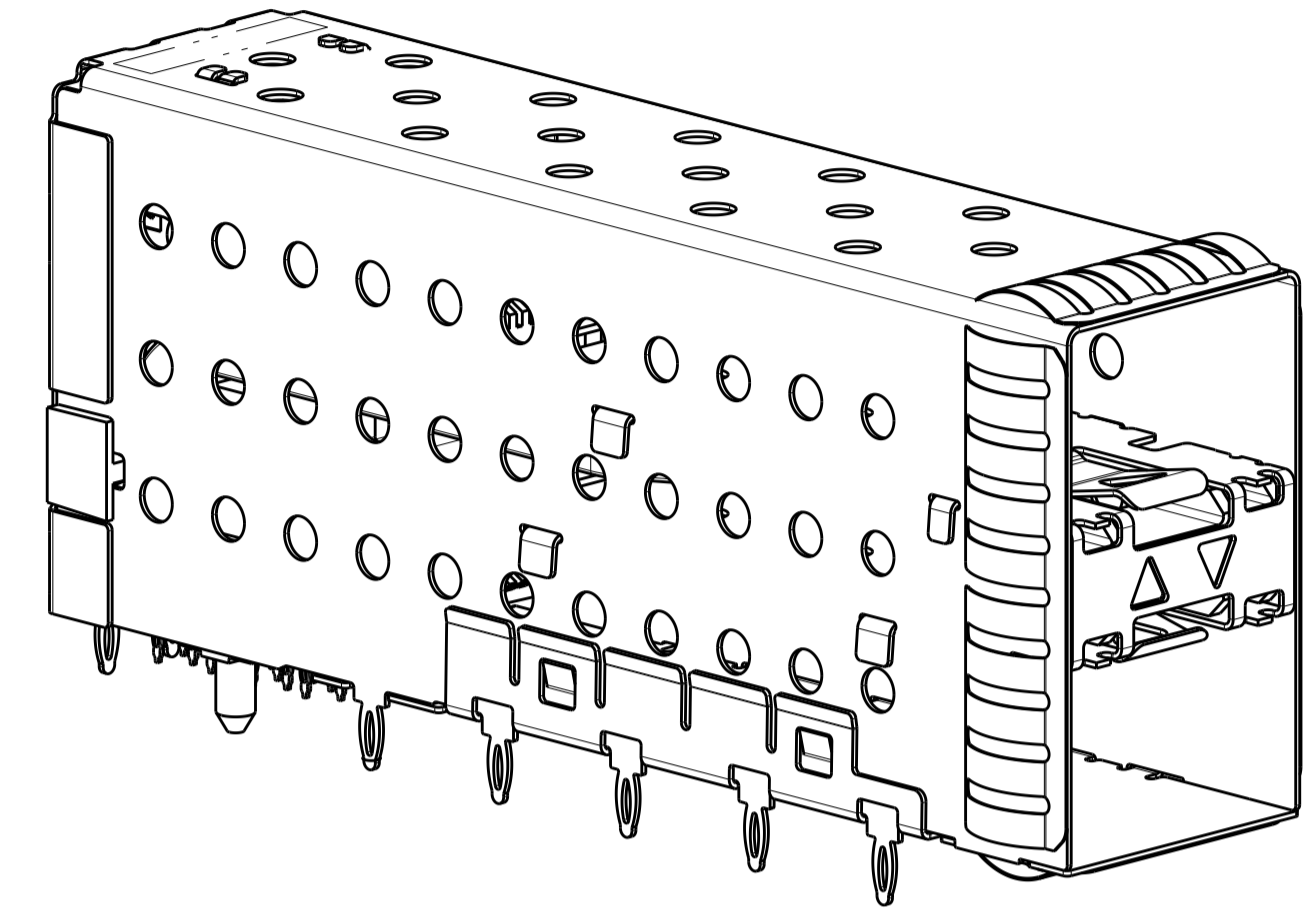
SIZE: A100779C=2007492

THIS DRAWING IS UNPUBLISHED. RELEASED FOR PUBLICATION 20
 © COPYRIGHT 20 BY - ALL RIGHTS RESERVED.

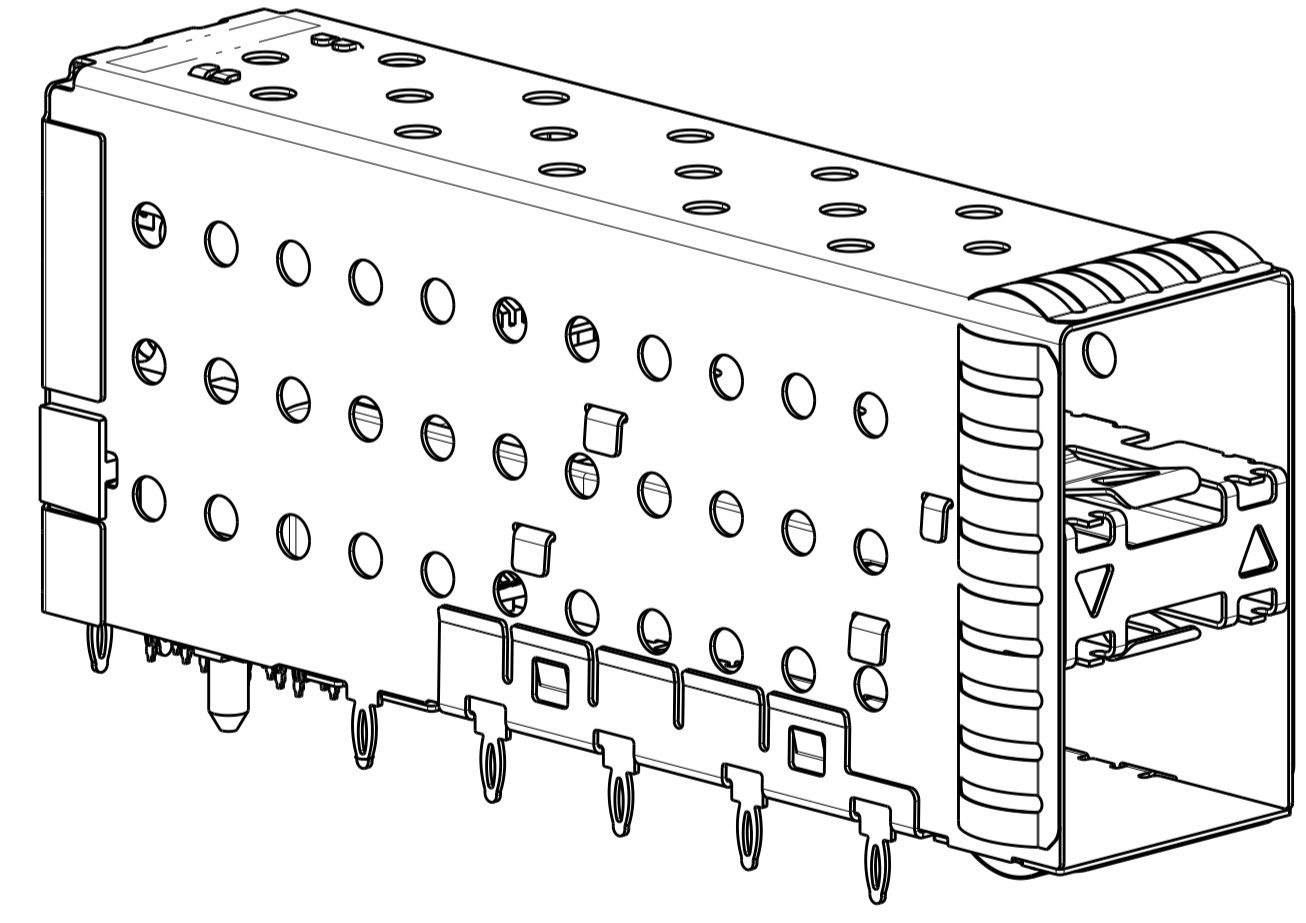
LOC		DIST		REVISIONS			
GP	00	P	LYR	DESCRIPTION	DATE	DWN	APVD
		-		SEE SHEET 1			



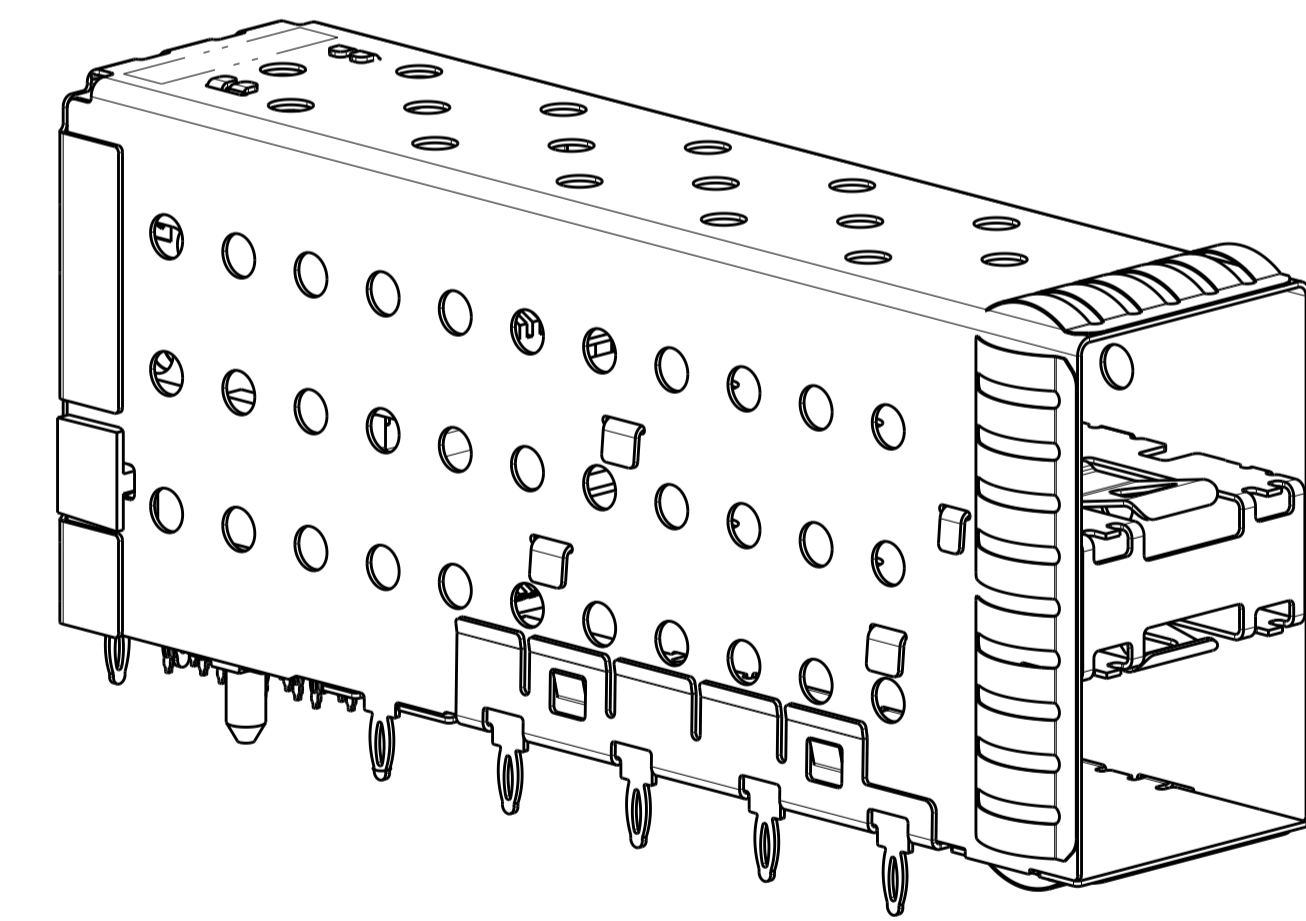
2007492-5 AND 1-2007492-5
 SCALE 3:1




2007492-6 AND 1-2007492-6
 SCALE 3:1



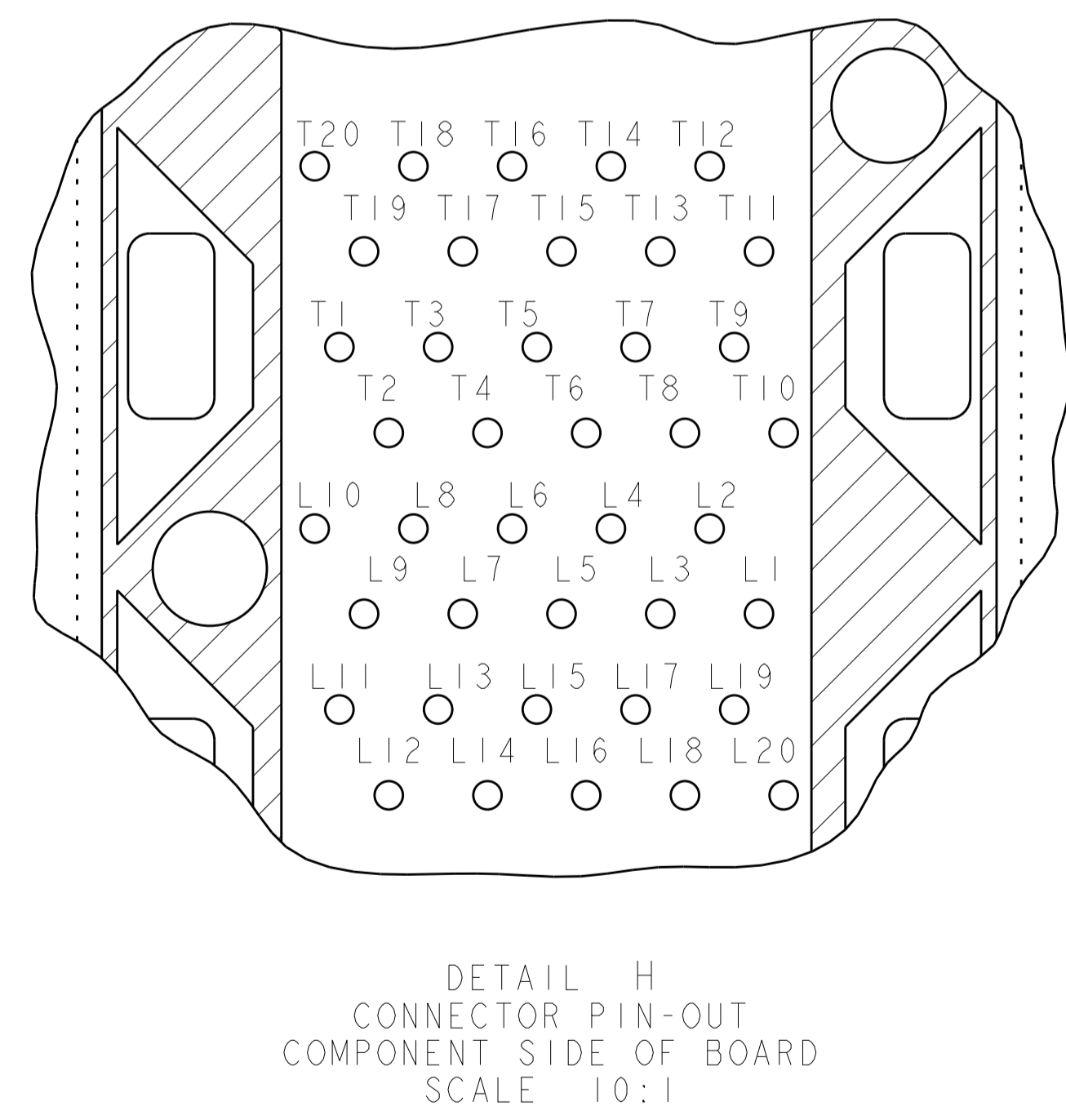
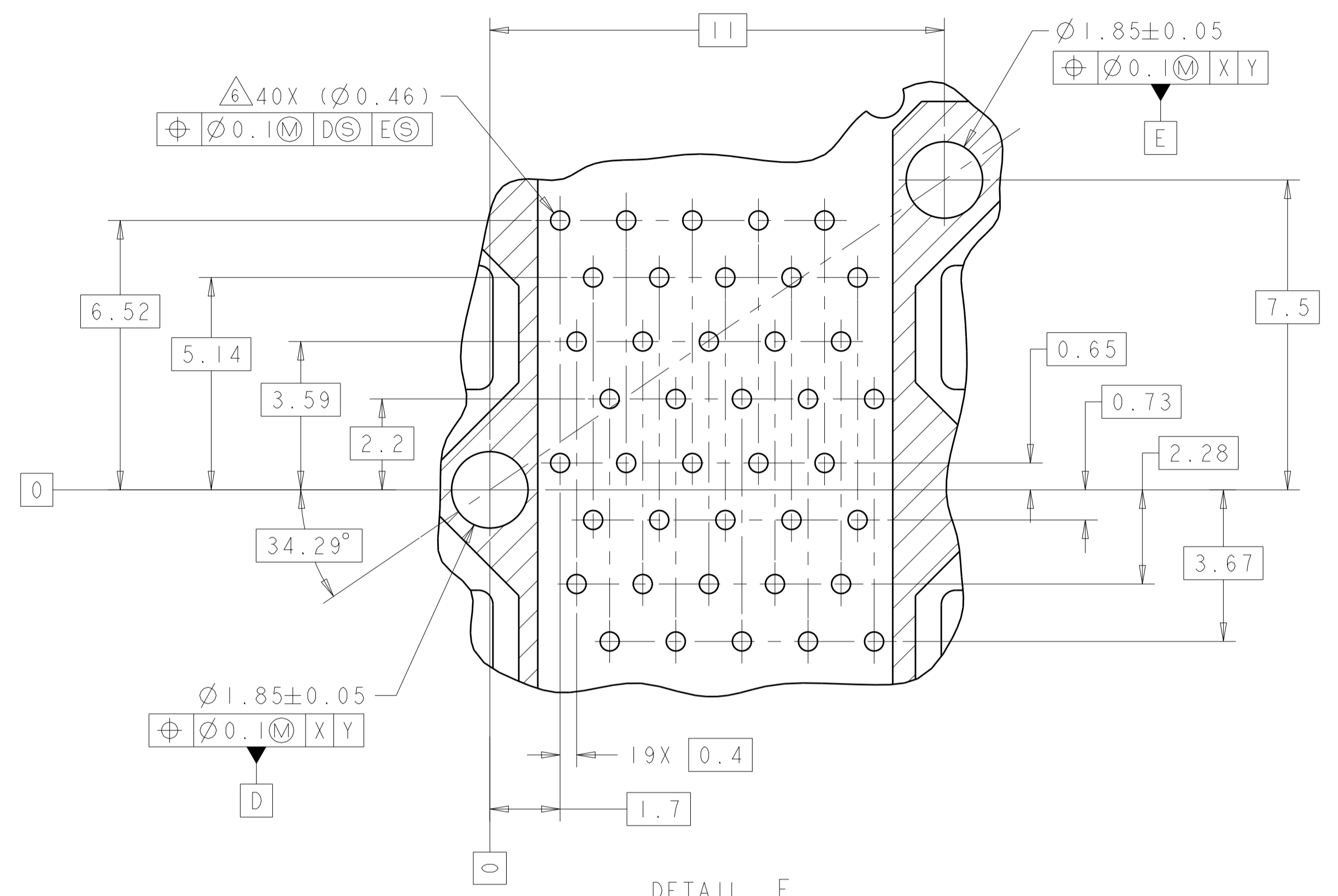
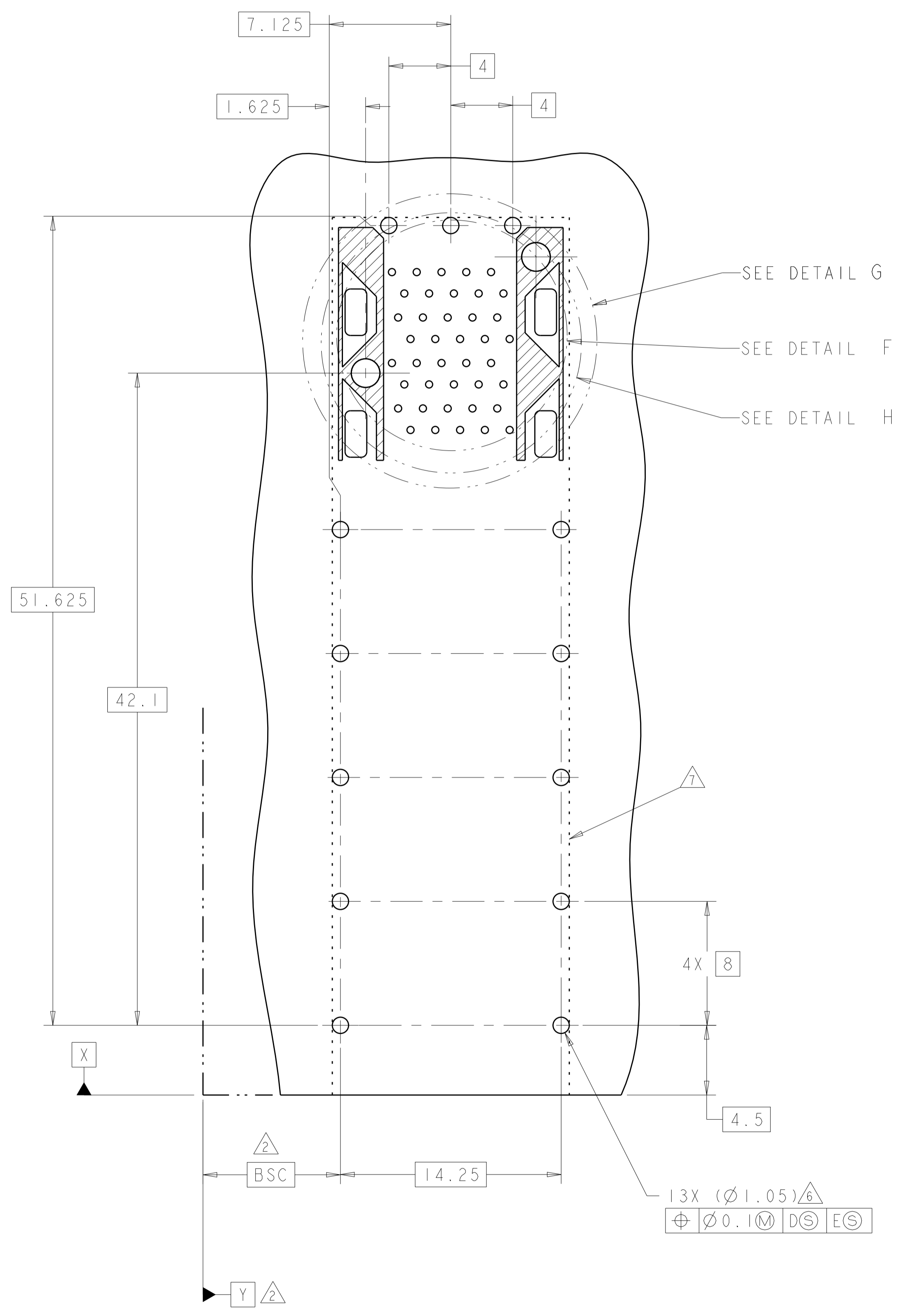
2007492-7 AND 1-2007492-7
 SCALE 3:1



2007492-8 AND 1-2007492-8
 SCALE 3:1

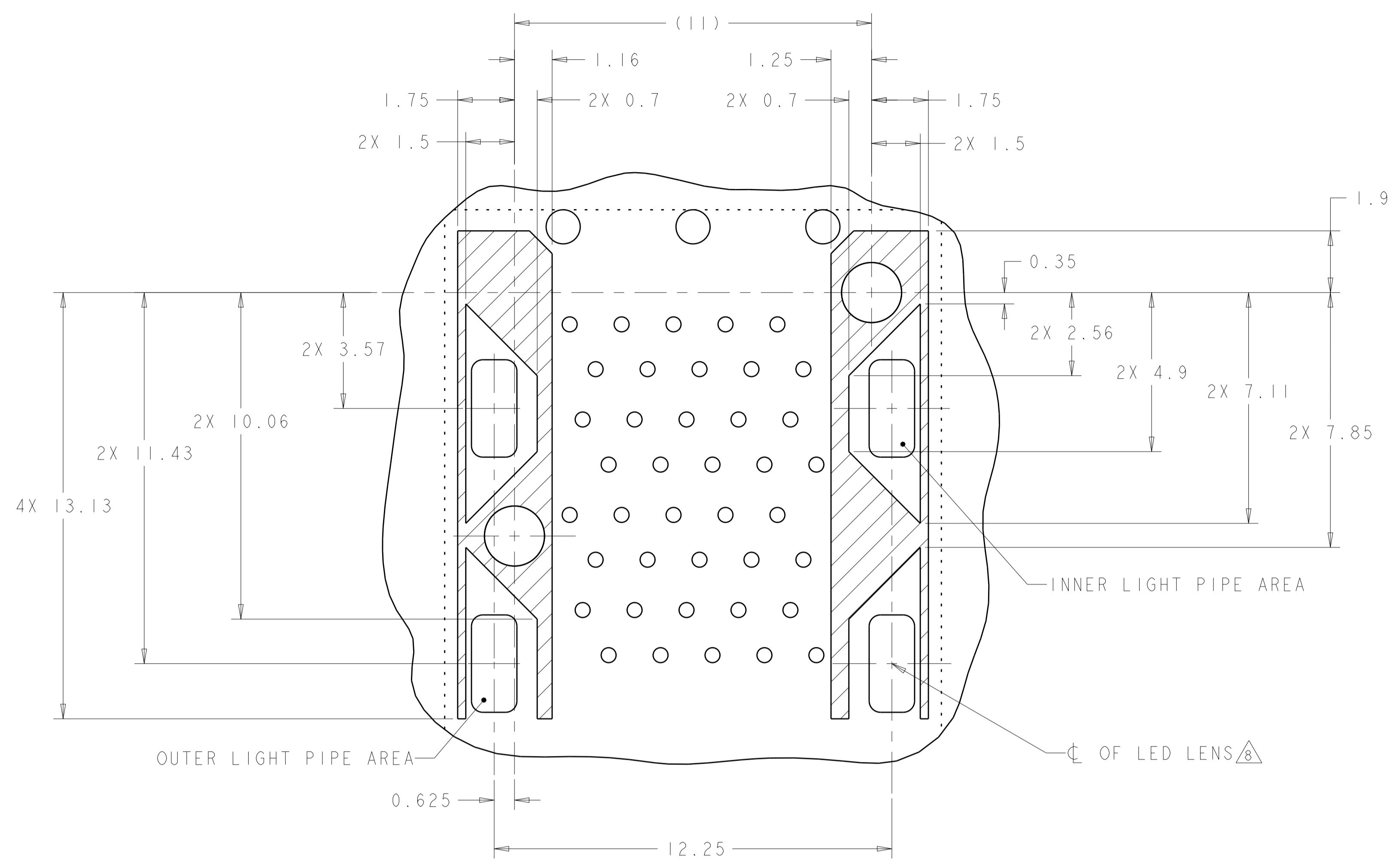
THIS DRAWING IS A CONTROLLED DOCUMENT. DIMENSIONING AND TOLERANCING PER ASME Y14.5M-2009.		DWN: M. SHIRK 30NOV2007	 TE Connectivity
DIMENSIONS: mm		CHK: D. SZCZESNY 30NOV2007	
DIMENSIONS: mm TOLERANCES UNLESS OTHERWISE SPECIFIED: 0 PLC ±0.10 1 PLC ±0.10 2 PLC ±0.10 3 PLC ±0.10 4 PLC ±0.10 ANGLES ±°		APVD: D. SZCZESNY 30NOV2007	NAME: CAGE AND PT CONNECTOR ASSEMBLY, WITH EMI SPRINGS, PRESS FIT, 2X1, STACKED SFP+
MATERIAL: FINISH:		PRODUCT SPEC: 108-2331	SIZE: CAGE CODE DRAWING NO: A100779C=2007492
		APPLICATION SPEC: 114-13219	RESTRICTED TO: -
		WEIGHT: -	CUSTOMER DRAWING
		SCALE: 5:1	SHEET 2 OF 4 REV D

LOC	DIST	REV	DATE	BY	APPV
GP	00				
REVISIONS					
		DESCRIPTION	DATE	BY	APPV
		SEE SHEET 1			

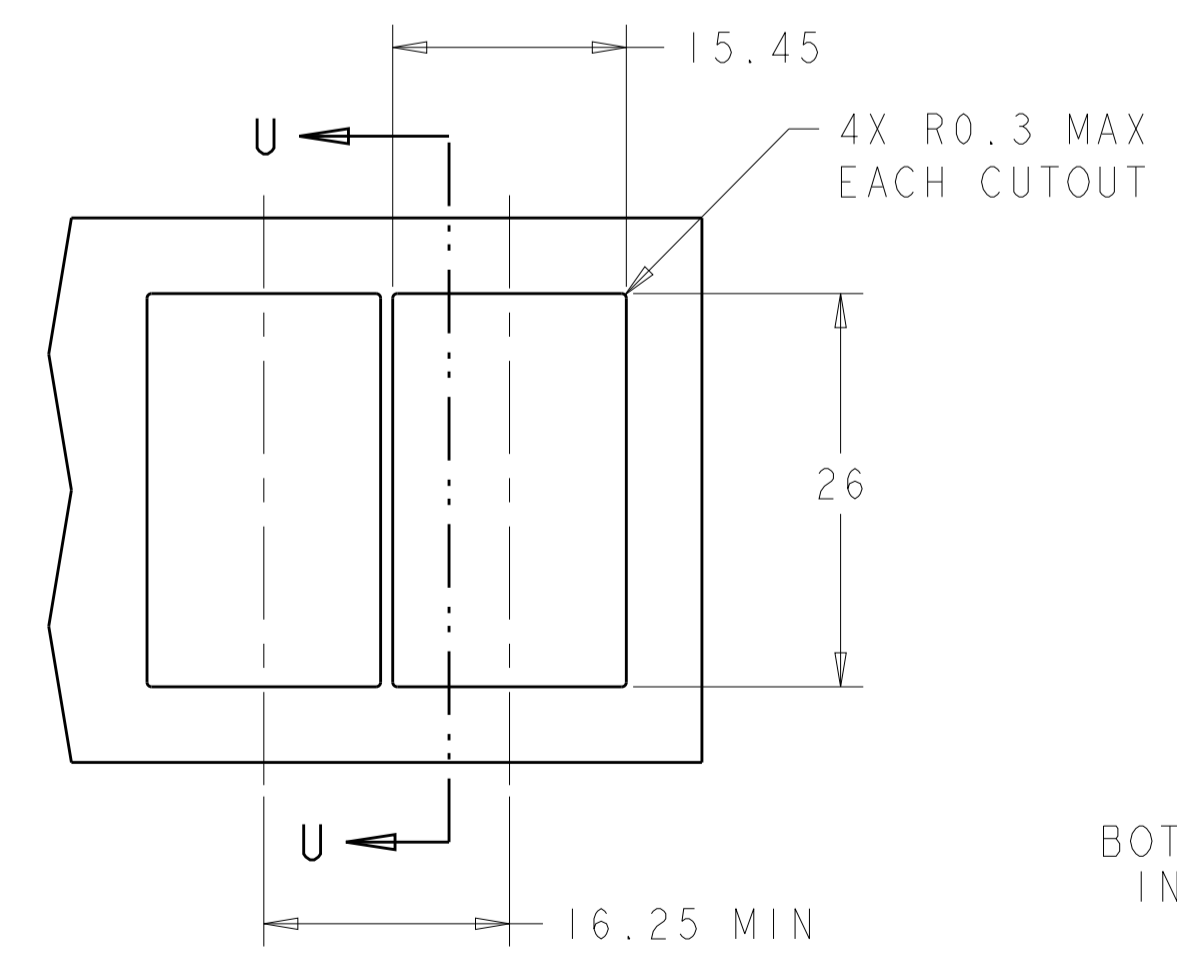


THIS DRAWING IS A CONTROLLED DOCUMENT. DIMENSIONING AND TOLERANCING PER ASME Y14.5M-2009		OWN: M. SHIRK 30NOV2007 CHK: D. SZCZESNY 30NOV2007 APPV: D. SZCZESNY 30NOV2007	TE Connectivity NAME: CAGE AND PT CONNECTOR ASSEMBLY, WITH EMI SPRINGS, PRESS FIT, 2X1, STACKED SFP+
DIMENSIONS: mm	TOLERANCES UNLESS OTHERWISE SPECIFIED:	PRODUCT SPEC: 108-2331 APPLICATION SPEC: 114-13219 WEIGHT: -	
MATERIAL:	FINISH:	SIZE: A100779 SCALE: 5:1 SHEET: 3 OF 4 REV: D	RESTRICTED TO:

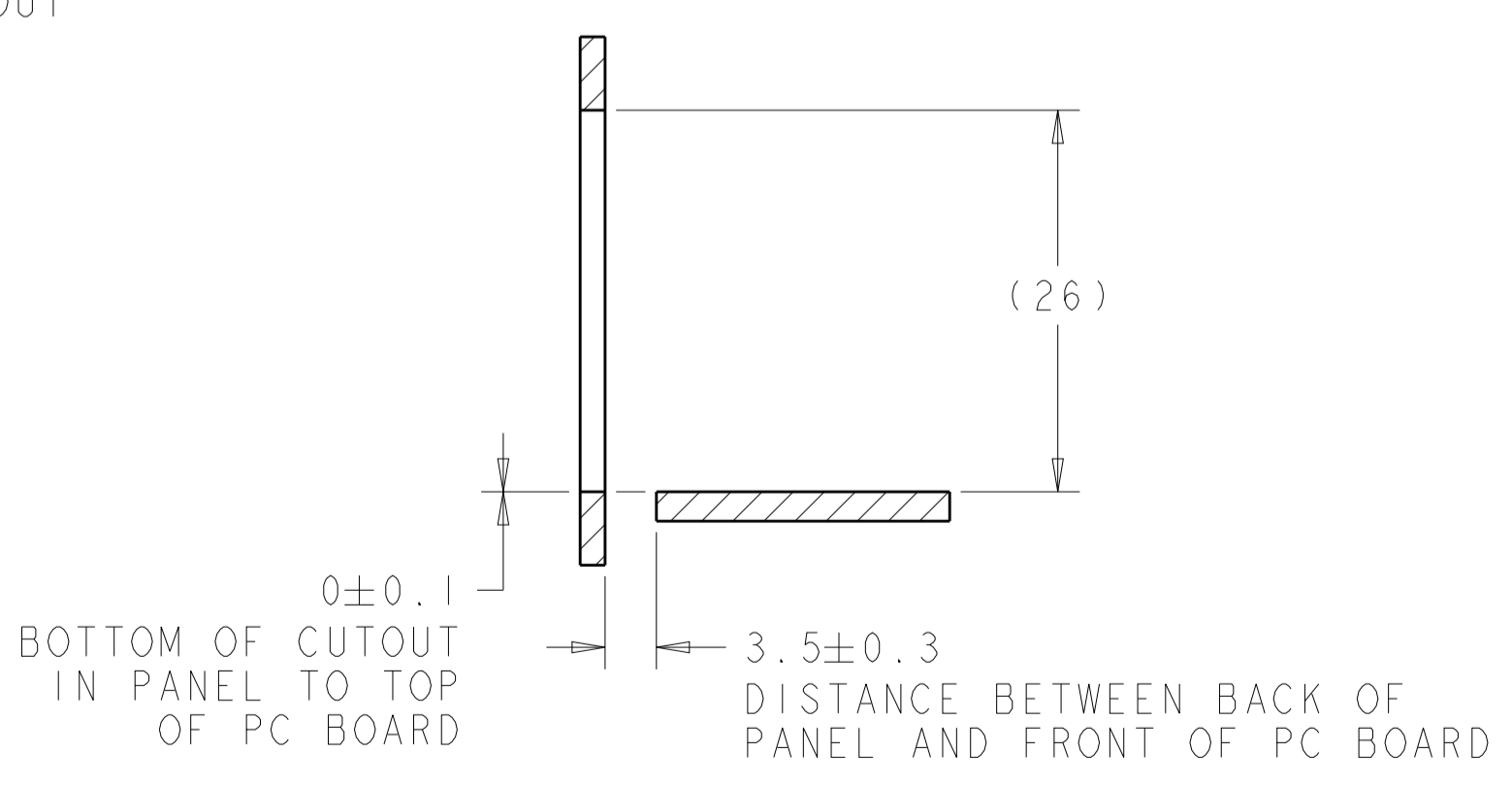
LOC	DIST	REVISIONS					
GP	00	P	LTN	DESCRIPTION	DATE	DWN	APVD
		-		SEE SHEET 1	-	-	-



DETAIL G
CONNECTOR HOUSING
KEEPOUT ZONE
SCALE 10:1



RECOMMENDED PANEL CUTOUT
AND PC BOARD, PANEL POSITION
SCALE 2:1



SECTION U-U

THIS DRAWING IS A CONTROLLED DOCUMENT. DIMENSIONING AND TOLERANCING PER ASME Y14.5M-2009.		DWN: M. SHIRK 30NOV2007 CHK: D. SZCZESNY 30NOV2007 APVD: D. SZCZESNY 30NOV2007	TE Connectivity NAME: CAGE AND PT CONNECTOR ASSEMBLY, WITH EMI SPRINGS, PRESS FIT, 2X1, STACKED SFP+
DIMENSIONS: mm	TOLERANCES UNLESS OTHERWISE SPECIFIED:	PRODUCT SPEC: 108-2331 APPLICATION SPEC: 114-13219 WEIGHT: - CUSTOMER DRAWING	
0 PLC ±0.10 1 PLC ±0.10 2 PLC ±0.10 3 PLC ±0.10 4 PLC ±0.10 ANGLES ±°	FINISH: -	SIZE: A100779 CAGE CODE: C=2007492 DRAWING NO: - RESTRICTED TO: -	SCALE: 5:1 SHEET: 4 OF 4 REV: D