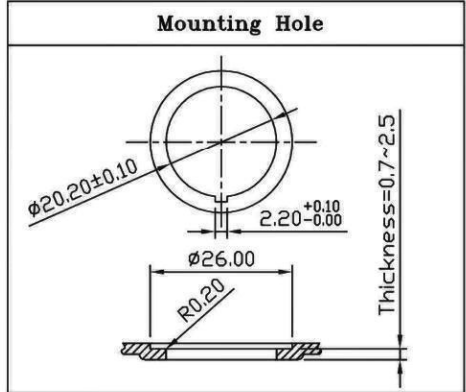
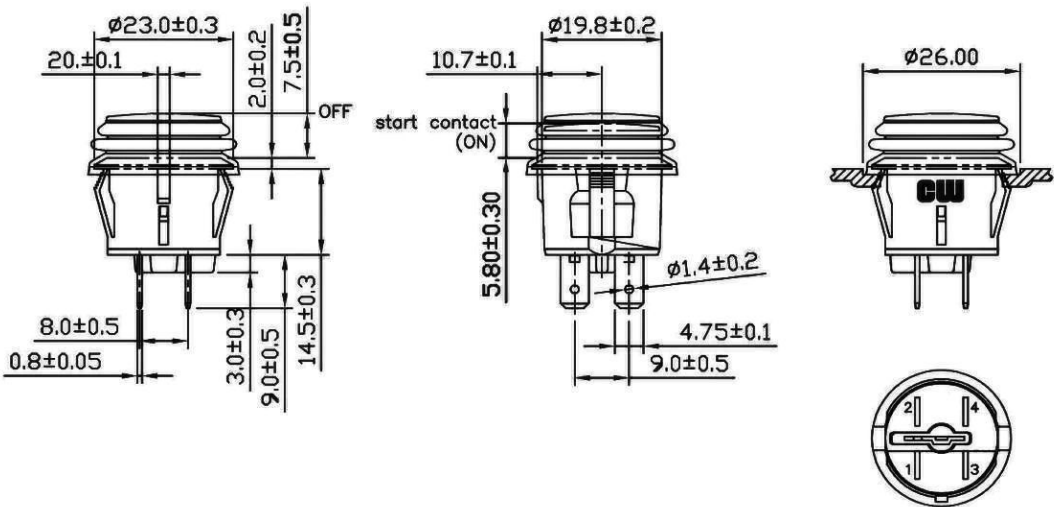


THIS INFORMATION IS CONFIDENTIAL AND PROPRIETARY TO CW INDUSTRIES INCORPORATED AND ITS AFFILIATES. IT MAY NOT BE DISCLOSED TO ANYONE, OTHER THAN CW INDUSTRIES PERSONNEL, WITHOUT WRITTEN AUTHORIZATION FROM CW INDUSTRIES INCORPORATED, SOUTHAMPTON, PENNSYLVANIA USA.

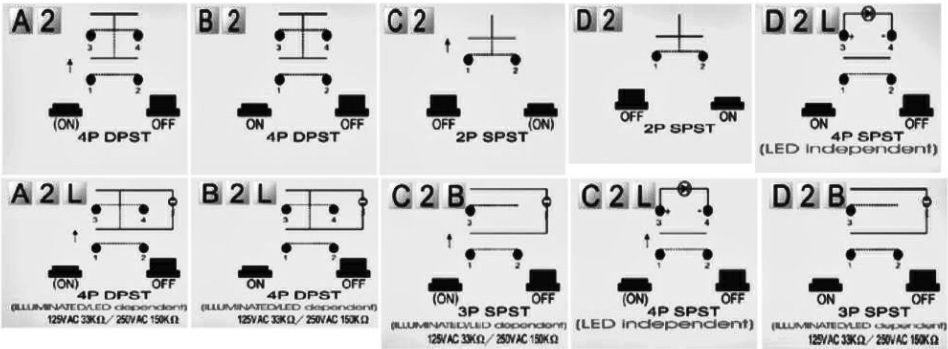
Rating	10A 125V AC 1/2HP 6A 250V AC 1/2HP	
	20A 14VDC, 10A 28VDC	
Contact Resistance	50m ohm Max.	
Insulation Resistance	DC 500V 100M ohm Min.	
Dielectric Strength	AC 1500V 1 minute	
Operation Temp.	- 25 °C ~ 85 °C	
Function	SEE CHART	



Frames are nylon (UL flame: 94V-2).
 Actuators are Black, PC (94V-2).
 Illuminated Actuators are molded in PC, available in Red, Amber or Green Colors.
 Waterproof Rubber: Black, Silicone.
 Terminals are silver plated brass.
 Waterproof and Dustproof to fit IP-65.



FUNCTION



TERMINAL
 0 2 .187" SQ

() = Momentary Function

RoHS Compliant

 Southampton, Pa. 18966 Tel 215.355.7080/www.cwind.com	Date Drawn: 1/28/11	Rev. 0	Unit: mm	Checked By: G.Guld
	Title: PUSH BUTTON SWITCH		CW P/N: GPB527X2SERIES	