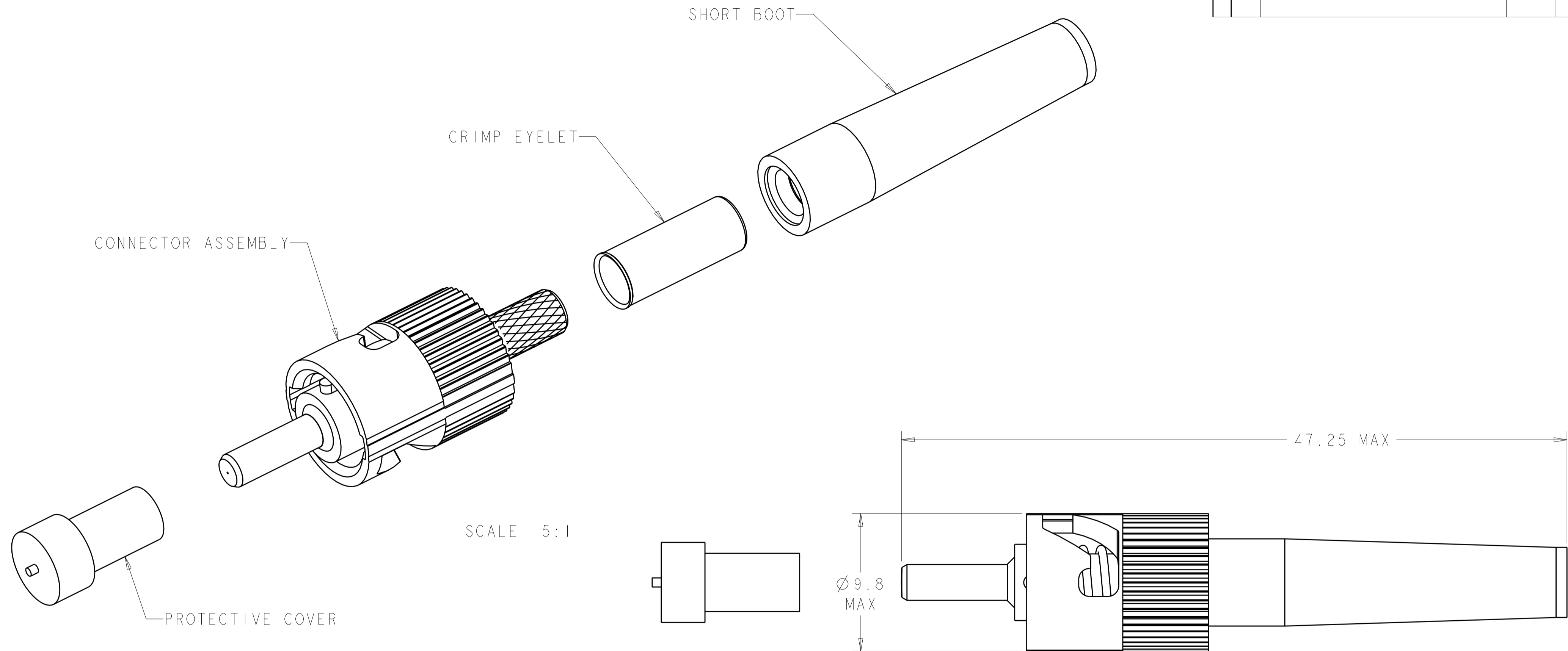


THIS DRAWING IS UNPUBLISHED. RELEASED FOR PUBLICATION 20  
 © COPYRIGHT 20 BY TYCO ELECTRONICS CORPORATION. ALL RIGHTS RESERVED.

LOC	DIST	REVISIONS			
P	LTR	DESCRIPTION	DATE	DWN	APVD
CE	00	F	REVISE PER 0A00-0122-05	18MAR2005	BB SB
		FI	ADD NOTE 3	06MAR09	JZ RZ



1 MATERIAL:  
 PROTECTIVE COVER: LDPE, COLOR: BLACK, NON-FR.  
 CONNECTOR ASSEMBLY  
 FERRULE ASSEMBLY: CERAMIC/ARP-GF30, COLOR: BLACK.\*  
 SPRING: STAINLESS STEEL.  
 COUPLING NUT: ZINC.  
 RETENTION RING: STAINLESS STEEL.  
 CRIMP EYELET: TIN PLATED COPPER.  
 SHORT BOOT: TPE, COLOR: BLACK.\*  
 \*UL94 V-0 RATED AT QUALIFYING THICKNESS.

2 BULK PACKAGED.

3. INSTRUCTION SHEET: 408-9971 AVAILABLE FOR DOWNLOAD AT  
[www.tycoelectronics.com/documents](http://www.tycoelectronics.com/documents) OR [www.ampnetconnect.com/foguide](http://www.ampnetconnect.com/foguide).

125um	503677-2
125um	503677-1
FIBER SIZE	PART NUMBER

THIS DRAWING IS A CONTROLLED DOCUMENT FOR TYCO ELECTRONICS CORPORATION IT IS SUBJECT TO CHANGE AND THE CONTROLLING ENGINEERING ORGANIZATION SHOULD BE CONTACTED FOR THE LATEST REVISION.		DWN B. BRIGGS 18MAR2005	Tyco Electronics Corporation Shanghai, China	
DIMENSIONS: mm		CHK S. BUCHTER 18MAR2005	NAME CONNECTOR KIT, OVERMOLDED CERAMIC, WITH METAL NUT, BAYONET	
TOLERANCES UNLESS OTHERWISE SPECIFIED: 0 PLC ± 1 PLC ± 2 PLC ± 3 PLC ± 4 PLC ± ANGLES ± FINISH		APVD S. BUCHTER 18MAR2005	SIZE A200779	
MATERIAL		PRODUCT SPEC -	DRAWING NO 503677	
		APPLICATION SPEC -	RESTRICTED TO -	
		WEIGHT -	SCALE 5:1	
		CUSTOMER DRAWING	SHEET 1 OF 1 REV FI	