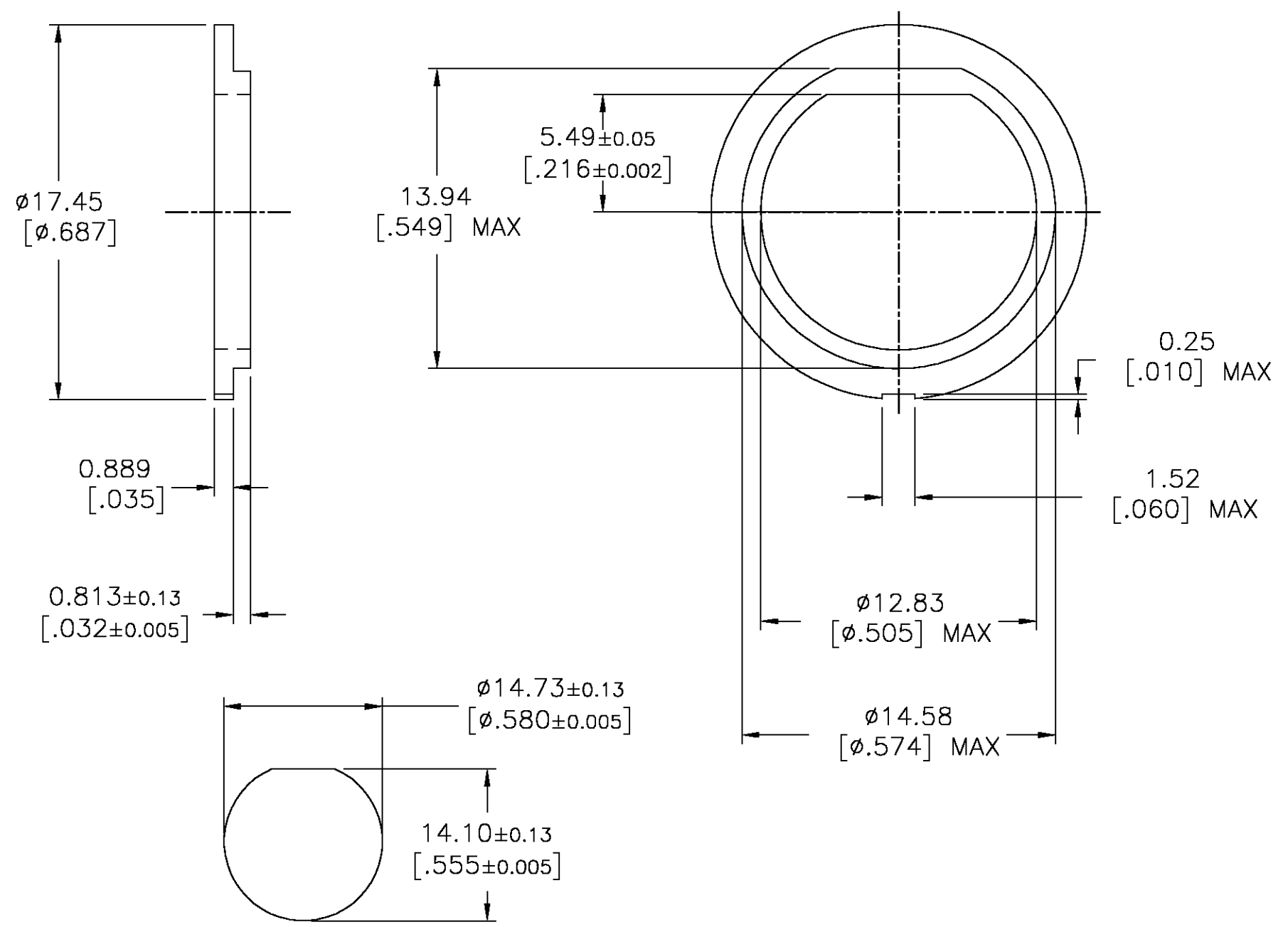


THIS DRAWING IS UNPUBLISHED. RELEASED FOR PUBLICATION  
 © COPYRIGHT BY TYCO ELECTRONICS CORPORATION. ALL RIGHTS RESERVED.

| LOC | DIST | REVISIONS   |                      |          |       |
|-----|------|-------------|----------------------|----------|-------|
| P   | LTR  | DESCRIPTION | DATE                 | DWN      | APVD  |
| AJ  | 16   | J           | REV PER OS14-0255-04 | 05/25/04 | KW KW |



NOTES:  
 1. SEE INSTRUCTION SHEET 408-1576

RECOMMENDED PANEL CUT-OUT  
 SCALE 2 : 1

330620  
 PART NO.

|  |  |                                |  |                 |                    |                        |                    |
|--|--|--------------------------------|--|-----------------|--------------------|------------------------|--------------------|
| THIS DRAWING IS A CONTROLLED DOCUMENT.       |  | DWN<br>G. VIERA<br>01MAY2002   | Tyco Electronics Corporation<br>Middletown, PA 17057 |                 |                    |                        |                    |
| DIMENSIONS:<br>mm                            |  | CHK<br>K. WEIDNER<br>05/01/02  |  |                 |                    |                        |                    |
| TOLERANCES UNLESS OTHERWISE SPECIFIED:       |  | APVD<br>K. WEIDNER<br>05/01/02 | NAME<br>COAXICON CONNECTOR<br>INSULATING BUSHING     |                 |                    |                        |                    |
|  |  | PRODUCT SPEC<br>-              | APPLICATION SPEC<br>-                                |                 |                    |                        |                    |
| MATERIAL<br>NYLON<br>MIL-M-20693<br>(TYPE 1) |  | FINISH<br>-                    | WEIGHT<br>.005 OZ.                                   | SIZE<br>A3      | CAGE CODE<br>00779 | DRAWING NO<br>C-330620 | RESTRICTED TO<br>- |
| CUSTOMER DRAWING                             |  |                                | SCALE<br>4:1   | SHEET<br>1 OF 1 | REV<br>J           |                        |                    |