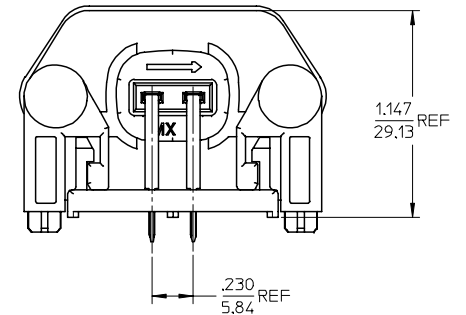
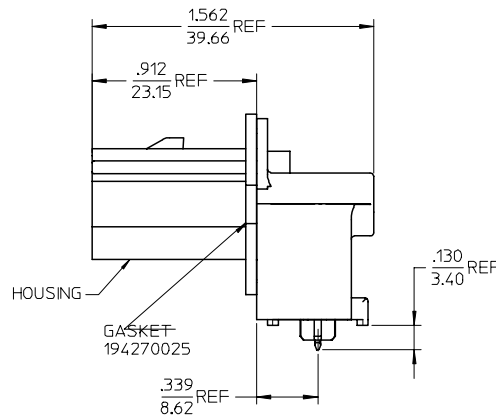
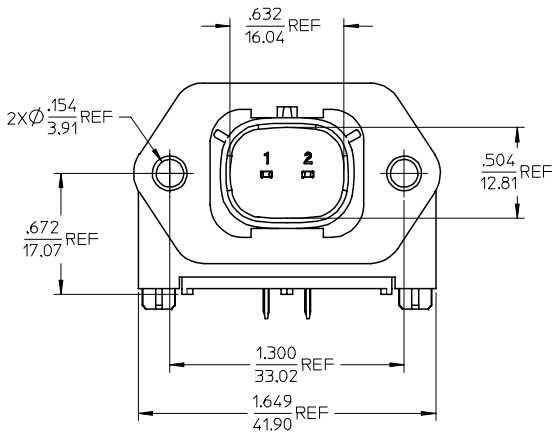
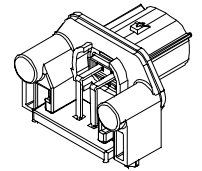


RECOMMENDED PCB LAYOUT
COMPONENT SIDE
TOLERANCES ARE NON-ACCUMULATIVE



NOTES:

- MATERIALS:
HOUSING: POLYESTER (PBT), GLASS FILLED, UL94 V-0,
COLOR: BLACK
TERMINALS: COPPER ALLOY
- FINISHES: 1. TIN ONLY: 100µM TIN OVER 50µM NICKEL
2. TIN/GOLD: 30µM SELECT GOLD (CONTACT MATING AREA),
100µM SELECT TIN (PCB TAIL AREA) OVER 50µM NICKEL OVERALL.
- PRODUCT SPECIFICATION: PS-19427-001.
- PACKAGING SPECIFICATION: PK-19427-001.
- MATES WITH: 19418 SERIES RECEPTACLE ASSEMBLIES.
- RECOMMENDED MOUNTING HARDWARE: (2) #10 X .62/18.9 LONG PLASTIC
THREAD CUTTING SCREWS. RECOMMENDED TORQUE 15-17 IN-LBS.
SUGGESTED SOURCE: ITW SHAKEPROOF INDUSTRIAL BOSSCREW OR EQUIVALENT.

REVISED EFC NO: ETC2006-0028 2005/10/10 DRAWN: JPAWLICK 2005/10/11 CHKD: JPAWLICK 2005/10/11 APPR: RDEROSS 2005/10/11	DESCRIPTION	QUALITY SYMBOLS	GENERAL TOLERANCES (UNLESS SPECIFIED)	DIMENSION STYLE	SCALE	DESIGN UNITS	THIRD ANGLE PROJECTION	
		▽=0	mm INCH	IN/MM	2:1	INCH	THIRD ANGLE PROJECTION	
		▽=0	4 PLACES ± --- ± ---	DRAWN BY DATE	JLOMASTR 04/07/22	2 WAY RIGHT ANGLE HEADER ASSEMBLY		
			3 PLACES ± --- ± .015	CHECKED BY DATE	JPAWLICK 04/07/24			
	2 PLACES ± 0.38 ± ---	APPROVED BY DATE	RDEROSS 04/07/28	MATERIAL NO. SD-19427-018				
	1 PLACE ± --- ± ---	ANGULAR ± 1 °	DRAFT WHERE APPLICABLE MUST REMAIN WITHIN DIMENSIONS		SEE CHART		SHEET NO. 1 OF 1	

MATERIAL NO.		PLATING	
194270040		TIN	
194270109		SELECT GOLD/TIN	

MATERIAL NO.		PLATING	
194270040		TIN	
194270109		SELECT GOLD/TIN	

MATERIAL NO.		PLATING	
194270040		TIN	
194270109		SELECT GOLD/TIN	