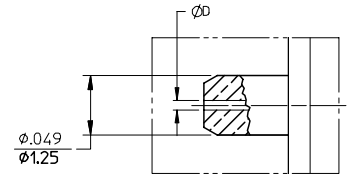
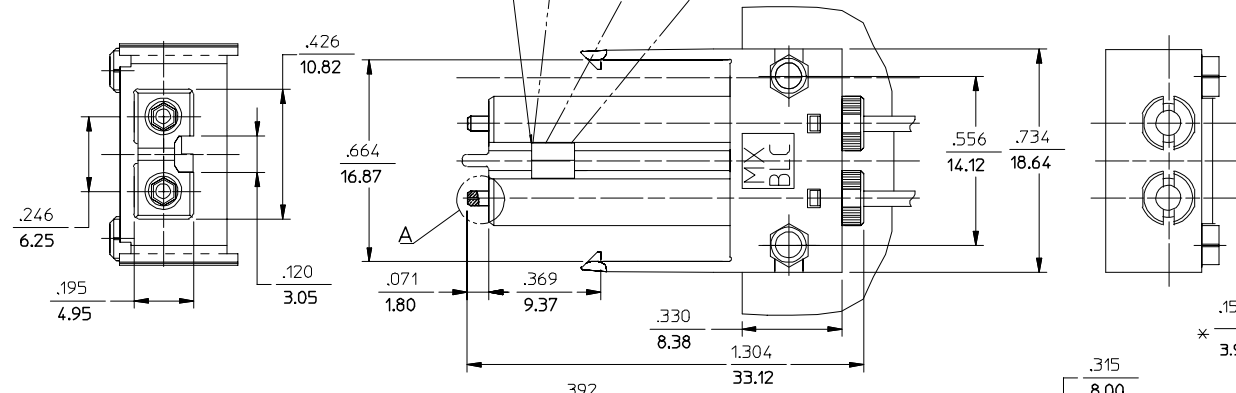
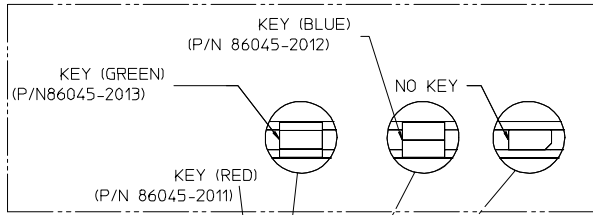
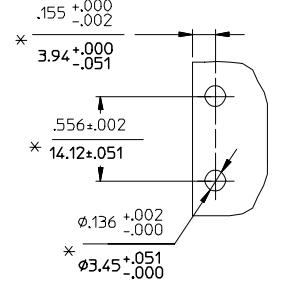


CONNECTOR P/N	ØD (Hm)	CABLE TYPE
106048-2200	125.50	SINGLE MODE
106048-4200	125.00	
106048-5000	126.00	
106048-6200	125.25	



DETAIL A
SCALE: 10:1

(DUST CAP NOT SHOWN)



RECOMMENDED MOUNTING HOLES
SCALE 2:1

- NOTES:
- ALL DIMENSIONS ARE FOR REFERENCE ONLY EXCEPT WHEN MARKED WITH *.
 - KEYS ARE TO BE PACKAGED UNASSEMBLED WITH CONNECTOR IN POLY BAG.

ENTER DESCRIPTION EC NO: MF2006-0263 DRWN:PGIBLIN CHKD: APPR:IGUMIN	QUALITY SYMBOLS ▽=0 ▽=0	GENERAL TOLERANCES (UNLESS SPECIFIED)		DIMENSION STYLE IN/MM		SCALE 4:1	DESIGN UNITS INCH	THIRD ANGLE PROJECTION		
		mm	INCH	DRAWN BY	DATE	TITLE				
		4 PLACES ± ---	± ---	PGIBLIN	2005/10/20	BLC/APC CONNECTOR (2 POSITION)				
		3 PLACES ± ---	± ---	CHECKED BY	DATE	MOLEX INCORPORATED				
2 PLACES ± ---	± ---	APPROVED BY	DATE	MATERIAL NO.		DOCUMENT NO.		SHEET NO.		
1 PLACE ± ---	± ---	ANGULAR ±1/2°		SEE TABLE		SD-106048-XX00		1 OF 01		
DRAFT WHERE APPLICABLE MUST REMAIN WITHIN DIMENSIONS				THIS DRAWING CONTAINS INFORMATION THAT IS PROPRIETARY TO MOLEX INCORPORATED AND SHOULD NOT BE USED WITHOUT WRITTEN PERMISSION						