

Tous droits strictement reserves. Reproduction ou communication a des tiers interdite sous quelque forme que ce soit sans autorisation ecrite du proprietaire. Propriete de c FCI. Droits de reproduction FCI.



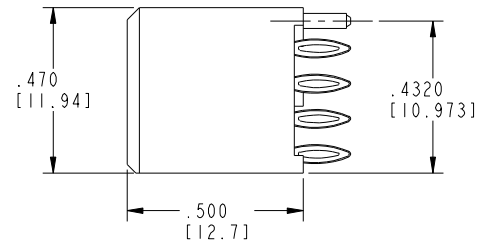
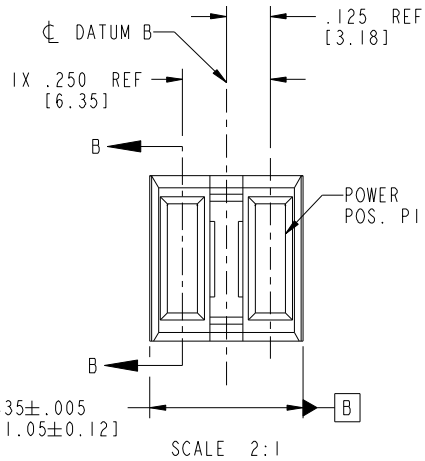
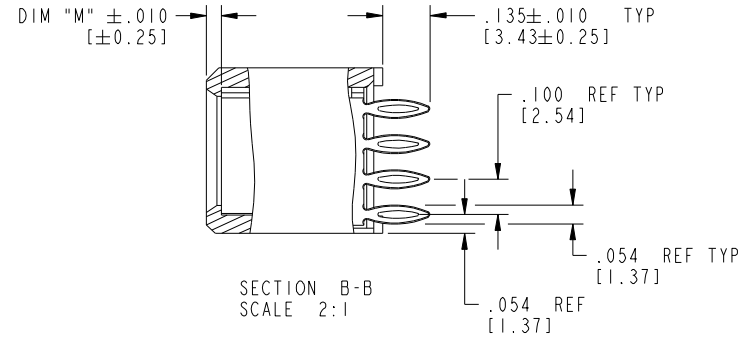
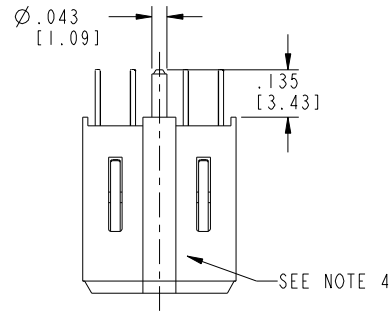
All rights strictly reserved. Reproduction or issue to third parties in any form whatever is not permitted without written authority from the proprietor. Property of FCI. Copyright FCI.

PRODUCT NO. 10011570-001-- NOTE: 3	POWER	
	P2 PC	P1 PF

1 | 2

3 |

4



CODE	DIM "M" MATING LENGTH	CONTACT TYPE
PC	.042 [1.07]	POWER
PF	.092 [2.34]	POWER

mal't code		SEE NOTE 2		tolerances unless otherwise specified		CUSTOMER		FCI	
ltr	ecn no.	dr	date	linear	.XX±.01/0.X±0.3	COPY		www.fciconnect.com	
A	V04-1102	TAB	11/10/04	linear	.XXX±.005/0.XX±0.13	projection		title 2 POWER	
B	DG05-0095	JMG	04/26/05	angles	.XXX±.0020/0.XXX±0.051	INCH/MM		VERT PRESS FIT RECEPTACLE	
C	DG08-0239	JC	09/12/08	angles	0°±?	scale 1:1		product family PwrBlade code 213	
				dr	M. MOSTOLLER 2/28/03			size dwg no 10011570 sheet 1 of 3	
				enr	M. MOSTOLLER 2/28/03				
				chr	H. BREWBAKER 2/28/03				
				appd	M. MOSTOLLER 2/28/03				
sheet index	revision sheet	C	C	C					
		1	2	3					

1 | 2

Pro/E

3 |

cage code 22526

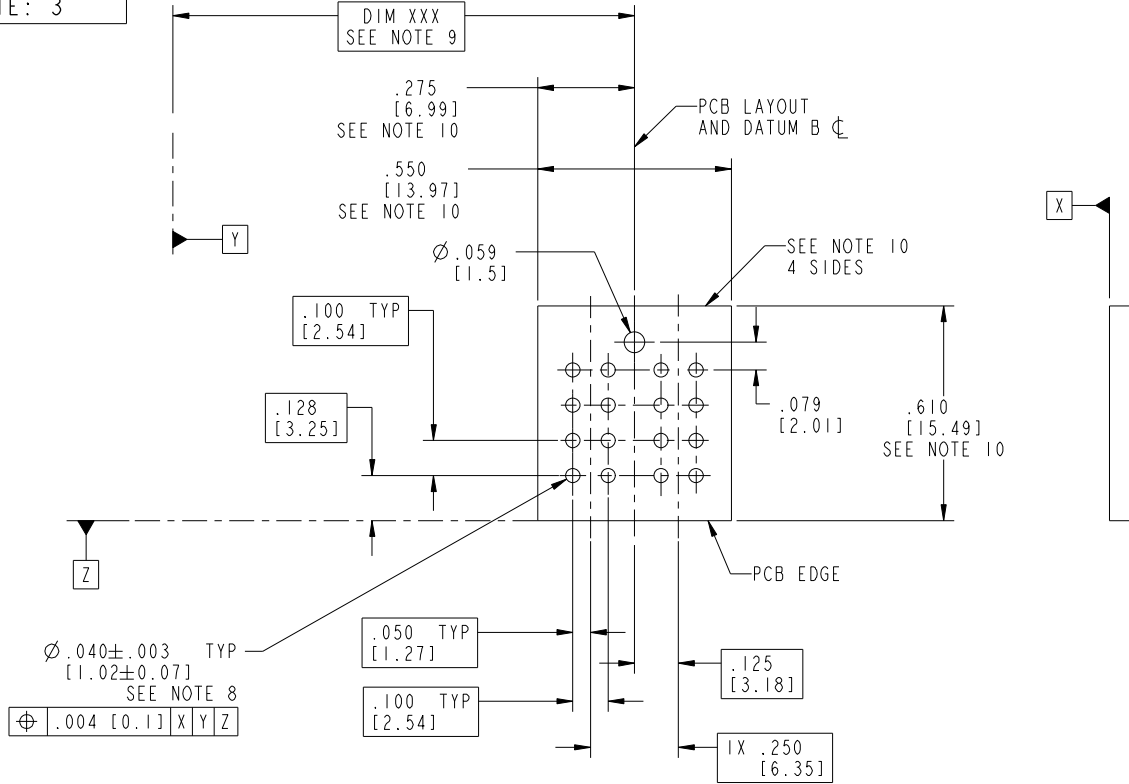
4

Tous droits strictement reserves. Reproduction ou communication a des tiers interdite sous quelque forme que ce soit sans autorisation ecrite du propriétaire. Propriete de c FCI. Droits de reproduction FCI.



All rights strictly reserved. Reproduction or issue to third parties in any form whatever is not permitted without written authority from the proprietor. Property of FCI. Copyright FCI.

PRODUCT NUMBER
10011570-001__
NOTE: 3



RECOMMENDED PCB LAYOUT
SCALE 2:1

mat'l code		SEE NOTE 2		tolerances unless otherwise specified		CUSTOMER		 www.fciconnect.com	
ltr	ecn no.	dr	date	linear	.XX±.01/0.X±0.3	COPY		title	
C				angles	.XXX±.005/0.XX±0.13	projection		2 POWER	
				dr	.XXX±.0020/0.XXX±0.051			VERT PRESS FIT RECEPTACLE	
				enr	0°±2°	INCH/MM		product family	
				chr	M.MOSTOLLER 2/28/03	scale		PwrBlade	
				appd	M.MOSTOLLER 2/28/03	1:1		code	
sheet index	revision sheet					size		213	
						dwg no		sheet	
						A		2	
						10011570			

cage code 22526

Pro/E

Tous droits strictement reserves. Reproduction ou communication a des tiers interdite sous quelque forme que ce soit sans autorisation écrite du propriétaire. Propriete de c FCI. Droits de reproduction FCI.



All rights strictly reserved. Reproduction or issue to third parties in any form whatever is not permitted without written authority from the proprietor. Property of FCI. Copyright FCI.

PRODUCT NUMBER
10011570-001__
NOTE: 3

NOTES:

1. DIMENSIONS AND TOLERANCES ARE IN ACCORDANCE WITH ASME Y14.5M, 1994 UNLESS OTHERWISE SPECIFIED.

CONNECTOR NOTES:

- 2. HOUSING MATERIAL: UL 94 V-0 GLASS FILLED HIGH-TEMP THERMOPLASTIC
POWER CONTACT MATERIAL: COPPER ALLOY
- 3. SEE ITEM 7 & 8 IN PRINT 10064183 FOR PLATING SPEC OF 10011570-001 AND 10011570-001LF RESPECTIVELY
- 4. NO ANY PRINT ON THIS SURFACE.
- 5. PRODUCT SPECIFICATION GS-12-149.
APPLICATION SPECIFICATION BUS-20-067.
PACKAGED IN TRAYS.

PCB NOTES:

- 6. ALL HOLE DIAMETERS ARE FINISHED HOLE SIZE.
- 7. MOUNTING HOLES, WHERE APPLICABLE, ARE UNPLATED.
- 8. $\varnothing .0453 \pm 0.0010$ [1.151 ± 0.025] DRILLED HOLES PLATED WITH
.0003 [0.008] MIN SnPb OVER .001 [0.03]
TO .003 [0.08] Cu PLATING TO ACHIEVE
 $\varnothing .040 \pm .003$ [$1.02 \pm .07$] HOLE.
- 9. "DIM XXX" TO BE DETERMINED BY THE CUSTOMER.
- 10. CONNECTOR KEEP-OUT ZONE.
- 11. A \triangle SYMBOL WILL BE NEXT TO ANY DIMENSION, VIEW, OR NOTE WHICH HAS BEEN MODIFIED WITH THE CURRENT DRAWING REVISION.

mat'l code		SEE NOTE 2		tolerances unless otherwise specified		CUSTOMER		FCI	
ltr	ecn no.	dr	date	linear	.XX±.01/0.X±0.3	COPY		www.fciconnect.com	
C					.XXX±.005/0.XX±0.13	projection	title		2 POWER
				angles	.XXX±.0020/0.XXX±0.051			VERT PRESS FIT RECEPTACLE	
				dr	0°±2°	INCH/MM		product family	PwrBlade
				enr	M.MOSTOLLER 2/28/03	scale	size	dwg no	code
				chr	H. BREWBAKER 2/28/03	1:1	A	10011570	213
				appd	M.MOSTOLLER 2/28/03				sheet
sheet index	revision sheet								3

cage code 22526

Pro/E