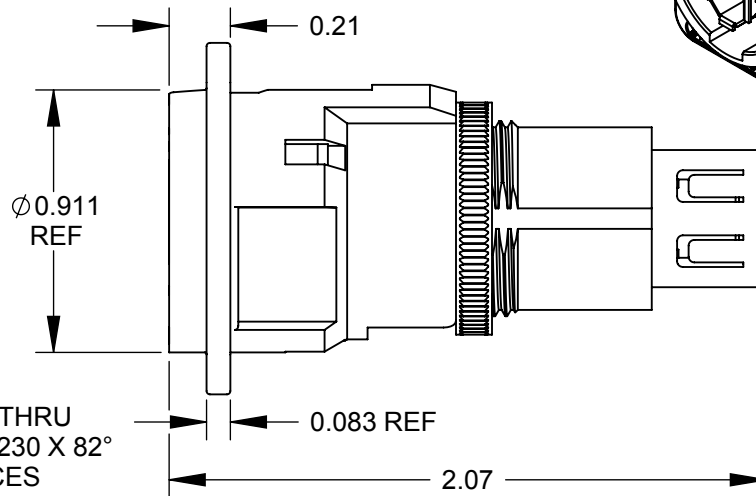
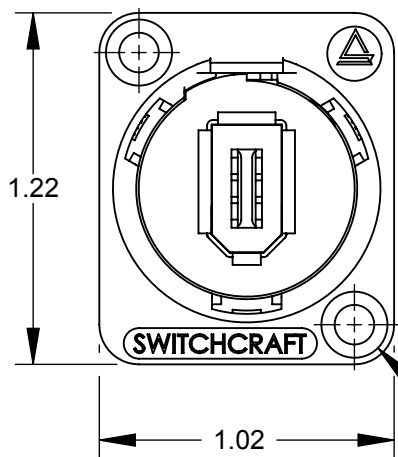
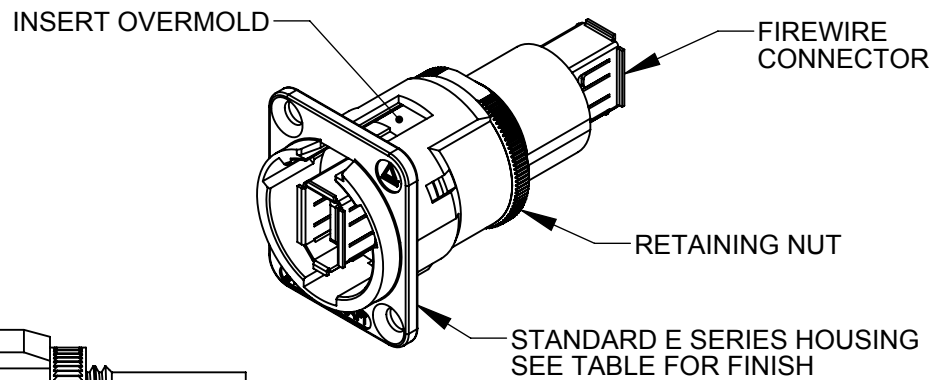
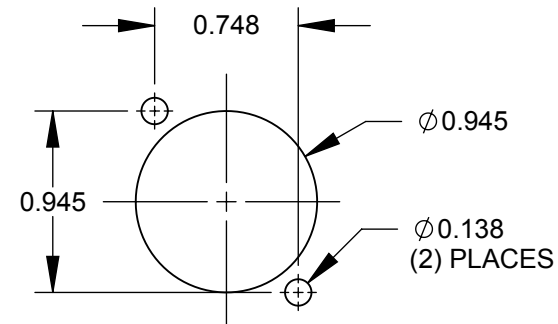


PART NUMBER	INSERT COLOR & WIRING	HOUSING FINISH
EHFWX2X	RED - CROSS WIRED	NICKEL
EHFWX2BX	RED - CROSS WIRED	BLACK CHROME

B



Ø0.138 THRU
✓ Ø0.230 X 82°
(2) PLACES



RECOMMENDED
PANEL CUT-OUT

PIN ASSIGNMENT						
EHFWX2X & EHFWX2BX						
CROSS WIRED						
1	2	3	4	5	6	SHIELD
1	2	5	6	3	4	SHIELD

NOTES:

- MATERIALS:
INSERT OVERMOLD - THERMOPLASTIC
RETAINING NUT - BRASS, NICKEL PLATED
HOUSING - ZINC ALLOY
- THIS PRODUCT IS RoHS COMPLIANT.

CUSTOMER DRAWING

REV	ECO NUMBER	DATE	BY	APVD
B	26467	11/30/09	RS	TJK
A	26076	7/15/06	RS	TJK
REVISIONS				

UNLESS OTHERWISE SPECIFIED

1. ALL DIMENSIONS IN INCHES
- TWO PLACE DECIMALS ±0.02
- THREE PLACE DECIMALS ±0.005

DO NOT SCALE DRAWING

THIS DRAWING DESCRIBES A DESIGN CONSIDERED PROPRIETARY IN NATURE, DEVELOPED AND MANUFACTURED BY SWITCHCRAFT INC. AND IS RELEASED ON A CONFIDENTIAL BASIS FOR IDENTIFICATION PURPOSES ONLY.									
SIZE		WIDTH		MULT		LBS/M		TEMPER	
FINISH SPEC No.						MATERIAL SPEC No.			
FIRST USED ON				SCALE 1.5:1					
DATE DRAWN	BY	CHKD	APVD						
5/5/09	RS	RS	TJK	7/15/09		SHEET 1 OF 1			
NAME E SERIES CONNECTOR FIREWIRE FEEDTHROUGH, RoHS						PART No. EHFW_X SERIES		REV B	

SolidWorks CAD File

A