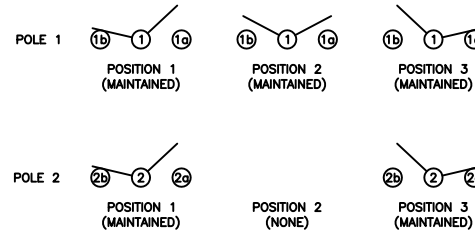


**SCHEMATIC**



**SPECIFICATIONS**

**FUNCTION:**  
 Pole 1: 1P2T ON-OFF-ON  
 Pole 2: 1P2T ON-ON

**RATINGS:**  
 ANSI/UL 1054 and CAN/CSA C22.2 No. 55 (E194579):  
 10A 125VAC [UR, cUR]

EN 61058-1:2002:  
 6A 250V~ μ 1E4 T85/55 [ENEC14, SEMKO]

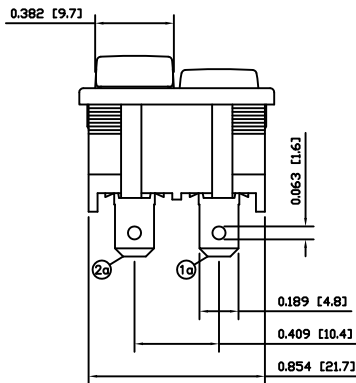
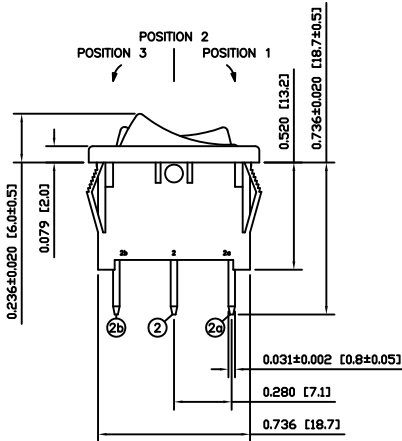
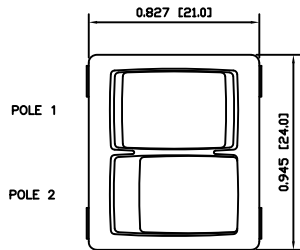
**CONTACT RESISTANCE:**  
 Initial: 35mΩ Max. at 50VAC

**INSULATION RESISTANCE:**  
 100MΩ Min. at 500VDC

**DIELECTRIC STRENGTH:**  
 1,500VAC For 1 Minute

**ELECTRICAL LIFE:**  
 6,000 Cycles [UR, cUR]  
 10,000 Cycles [ENEC14, SEMKO]

**TEMPERATURE:**  
 Operating: -20°C to 105°C [UR, cUR]  
 Operating: -20°C to 85°C [ENEC14, SEMKO]



**COLORS AND MARKINGS**

**BODY:**  
 Black

**ACTUATOR:**  
 Pole 1: Black  
 Pole 2: Black

**MARKING:**  
 Pole 1: None  
 Pole 2: None

**MARKING COLOR:**  
 Pole 1: None  
 Pole 2: None

**MATERIALS**

**BODY:**  
 Polyamide 6/6 (PA66), UL94 V-2

**ACTUATOR:**  
 Polyamide 6/6 (PA66), UL94 V-2

**SPRING:**  
 Steel

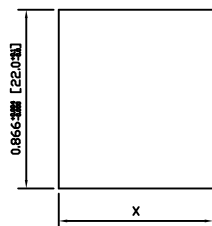
**BALL:**  
 Steel

**MOBILE CONTACT BAR:**  
 Silver Plated Copper Alloy

**CONTACTS:**  
 Silver Alloy Clad Copper

**TERMINALS:**  
 Silver Plated Copper

**SUGGESTED PANEL CUTOUT**



PANEL THICKNESS		X
0.030~0.049	[0.75~1.25]	0.756 [19.2]
0.049~0.079	[1.25~2.00]	0.764 [19.4]
0.079~0.118	[2.00~3.00]	0.772 [19.6]

ACTUATOR	A	10/05/13	CAB
BODY	A	10/05/13	CAB
COLORS	A	10/05/13	CAB
MATERIALS	A	10/05/13	CAB
SPECIFICATIONS	A	10/05/13	CAB
REFERENCE	REV.	DATE	BY

THE INFORMATION CONTAINED IN THIS DOCUMENT IS PROPRIETARY TO E-SWITCH-LAMB INDUSTRIES AND IS NOT TO BE COPIED OR TRANSFERRED

A	INITIAL RELEASE	19064	10/05/13	CAB
REV.	DESCRIPTION	PCR	DATE	DRAWN BY

DIMENSIONS	
INCHES [MILLIMETERS]	
GENERAL TOLERANCES	
±0.008 [±0.2] / ±1'	
SCALE	PROJECTION
DRAWING NOT TO SCALE	1:1

RA21(531100)+(331100)		
ITEM NUMBER	DATE	REVISION
38-RA2S00128	MAY 13, 2010	A