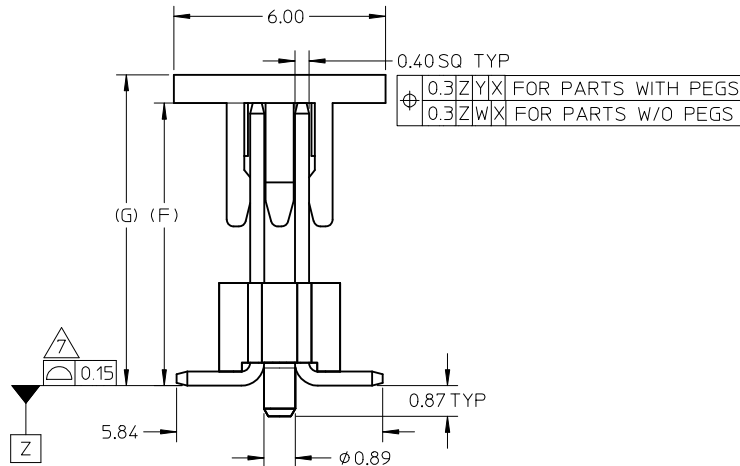
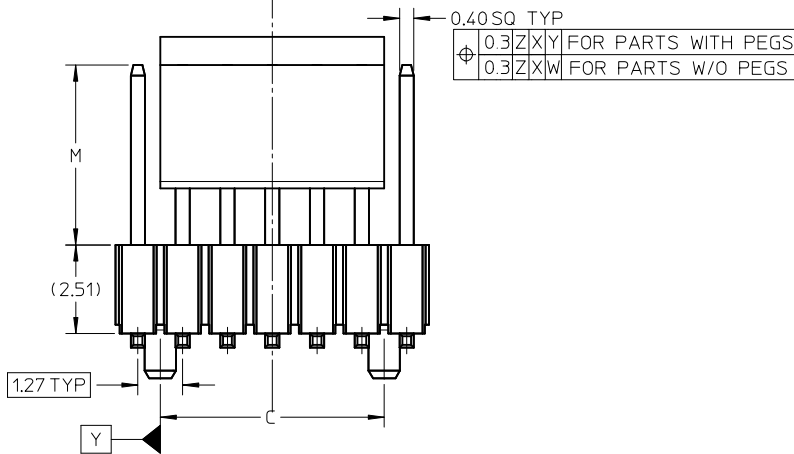
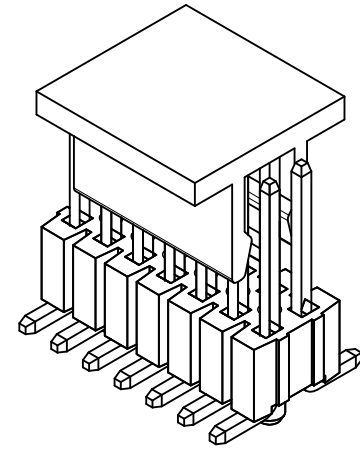
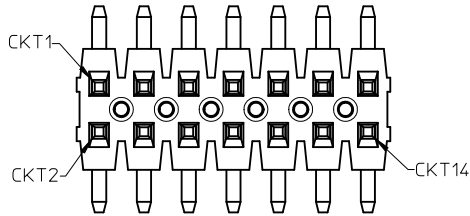


RECOMMENDED PCB LAYOUT: COMPONENT SIDE

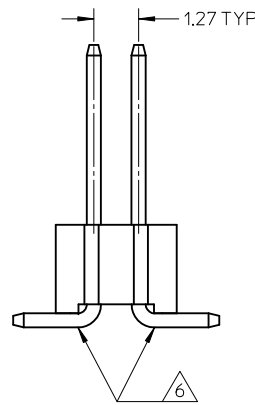
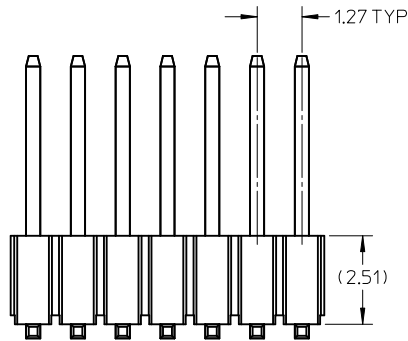


+ 879335028 EC NO: S2010-0708 DRWNATSEE 2010/02/22 CHYKDSKANG 2010/03/25 APPR:MLONG 2010/03/26	QUALITY SYMBOLS	GENERAL TOLERANCES (UNLESS SPECIFIED)	DIMENSION STYLE	SCALE	DESIGN UNITS	THIRD ANGLE PROJECTION
	$\nabla_A = 0$ $\nabla_C = 0$ $\nabla_P = 0$	mm INCH 4 PLACES ± --- ± --- 3 PLACES ± --- ± --- 2 PLACES ± 0.20 ± --- 1 PLACE ± --- ± --- ANGULAR ± 3 °	MM ONLY	NTS	METRIC	
		DRAFT WHERE APPLICABLE MUST REMAIN WITHIN DIMENSIONS	DRAWN BY SKL IM01 CHECKED BY CWLAM APPROVED BY KWLEE MATERIAL NO. SEE TABLE	DATE 2007/04/24 DATE 2007/05/04 DATE 2007/05/04	TITLE	CUSTOM HEADER 1.27MM PITCH DUAL ROW HEADER,SINGLE WAFER,SMT
	A1		SIZE A3	MOLEX INCORPORATED DOCUMENT NO. SD-87933-100		SHEET NO. 1 OF 3

CIRCUITS POSITION CONFIGURATION



PART WITHOUT PEG AND CAP VERSION



NOTES:

1. MATERIAL:
 - HSG: LCP, GLASS-FILLED, UL94V-0, COLOR: BLACK
 - CAP: NYLON, GLASS-FILLED, UL94V-0, COLOR: BLACK
 - PIN: 0.40MM SQ, COPPER ALLOY
2. PLATING TYPE:
 - (1) GOLD FLASH OVER
1.25µm MIN. NICKEL OVERALL.
 - (2) GOLD FLASH ON CONTACT AND
2.50µm MIN. TIN ON SOLDER TAIL OVER
1.25µm MIN. NICKEL OVERALL.
 - (3) 0.38µm MIN. GOLD PLATE ON CONTACT AND
2.00µm MIN. TIN ON SOLDER TAIL OVER
1.25µm MIN. NICKEL OVERALL.
 - (4) 0.76µm MIN. GOLD PLATE ON CONTACT AND
2.00µm MIN. TIN ON SOLDER TAIL OVER
1.25µm MIN. NICKEL OVERALL.
 - (5) 2.50µm MIN. TIN OVERALL
1.25µm MIN. NICKEL OVERALL.
3. PACKAGING TYPE: SEE TABLE
4. PCB THICKNESS 1.60+/-0.10mm
5. PRODUCT SPECIFICATION: PS-87933-001
6. BEND DEPRESSION IS ACCEPTED SO LONG AS IT DOES NOT AFFECT THE OVERALL COPLANARITY OF TAIL
7. COPLANARITY IS TO BE MEASURED BY RESTING THE SOLDER TAIL ON A FLAT SURFACE
8. CAP POSITION TO BE LOCATED AT THE CENTER OF DIMENSION (A) REGARDLESS OF CIRCUIT SIZE
TOP SURFACE OF CAP TO BE FLAT FOR THE PURPOSE OF PICK & PLACE BY VACUUM SUCTION NOZZLE
9. IRREGULAR CIRCUIT CUTOFF WITHIN BREAKAWAY SECTION IS PERMISSIBLE. CUTTING OR CHIPPING OF THE MAIN BODY IS NOT ACCEPTABLE
10. PIN PUSH OUT FORCE: 0.4Kgf IN EITHER DIRECTION
11. THE ABOVE CKT 14 IS FOR ILLUSTRATION PURPOSE ONLY
12. PACKAGING SPECIFICATION:
 - T&R: PK-89990-567
 - TRAY: PK-89990-568

+ 879335028 EC NO: S2010-0708 DRWN:ATSEE 2010/02/22 CHKD:SKANG 2010/03/25 APPR:MLONG 2010/03/26	QUALITY SYMBOLS	GENERAL TOLERANCES (UNLESS SPECIFIED)	DIMENSION STYLE	SCALE	DESIGN UNITS	THIRD ANGLE PROJECTION
	$F_A=0$ $F_C=0$ $F_P=0$	mm INCH 4 PLACES ± --- ± --- 3 PLACES ± --- ± --- 2 PLACES ± 0.20 ± --- 1 PLACE ± --- ± --- ANGULAR ± 3 °	MM ONLY	NTS	METRIC	
	DESCRIPTION	DRAFT WHERE APPLICABLE MUST REMAIN WITHIN DIMENSIONS	DRAWN BY DATE	TITLE	CUSTOM HEADER 1.27MM PITCH DUAL ROW HEADER, SINGLE WAFER, SMT	
	REV		CHECKED BY DATE		MOLEX INCORPORATED	
A1		APPROVED BY DATE	SEE TABLE	DOCUMENT NO.	SD-87933-100	SHEET NO. 2 OF 3
		MATERIAL NO.	THIS DRAWING CONTAINS INFORMATION THAT IS PROPRIETARY TO MOLEX INCORPORATED AND SHOULD NOT BE USED WITHOUT WRITTEN PERMISSION			

10 9 8 7 6 5 4 3 2 1

CKT SIZE	DIMENSION		
	A	B	C
04	2.54	1.27	-
06	3.81	2.54	-
08	5.08	3.81	-
10	6.35	5.08	3.81
12	7.62	6.35	-
14	8.89	7.62	-
16	10.16	8.89	-
18	11.43	10.16	-
20	12.70	11.43	10.16
22	13.97	12.70	-
24	15.24	13.97	-
26	16.51	15.24	-
28	17.78	16.51	-
30	19.05	17.78	16.51
32	20.32	19.05	-
34	21.59	20.32	-
36	22.86	21.59	-
38	24.13	22.86	-
40	25.40	24.13	22.86
42	26.67	25.40	-
44	27.94	26.67	-
46	29.21	27.94	-
48	30.48	29.21	-
50	31.75	30.48	29.21

PART NUMBER IN PACKAGIN OPTION					CKT SIZE	PEG	PLATE OPT.	VOID POSITION	DIMENSION		
TRAY WITHOUT CAP	TRAY WITH CAP	TAPE & REEL WITH CAP	TUBE WITHOUT CAP	TUBE WITH CAP					G	F	MATING END M
-	-	87933-1228	-	-	12	NO	3	-	7.21	5.96	3.05
-	-	87933-2020	-	-	20	NO	5	-	8.41	8.01	5.10
-	-	87933-5028	-	-	50	NO	3	-	7.21	5.96	3.05

QUALITY SYMBOLS	DESCRIPTION
$F_A=0$	
$F_C=0$	
$F_P=0$	

GENERAL TOLERANCES (UNLESS SPECIFIED)	mm	INCH
4 PLACES	± ---	± ---
3 PLACES	± ---	± ---
2 PLACES	± 0.20	± ---
1 PLACE	± ---	± ---
ANGULAR ± 3 °		

+ 879335028 EC NO: S2010-0708 DRWN:ATSEE 2010/02/22 CHKD:SKANG 2010/03/25 APPR:MLONG 2010/03/26	DIMENSION STYLE MM ONLY	SCALE NTS	DESIGN UNITS METRIC	THIRD ANGLE PROJECTION	
	DRAWN BY SKLIM01	DATE 2007/04/24	TITLE CUSTOM HEADER 1.27MM PITCH DUAL ROW HEADER,SINGLE WAFER,SMT		
	CHECKED BY CWLAM	DATE 2007/05/04	MOLEX INCORPORATED		
	APPROVED BY KWLEE	DATE 2007/05/04	MATERIAL NO. SEE TABLE	DOCUMENT NO. SD-87933-100	SHEET NO. 3 OF 3
DRAFT WHERE APPLICABLE MUST REMAIN WITHIN DIMENSIONS					
THIS DRAWING CONTAINS INFORMATION THAT IS PROPRIETARY TO MOLEX INCORPORATED AND SHOULD NOT BE USED WITHOUT WRITTEN PERMISSION					

9 8 7 6 5 4 3 2 1