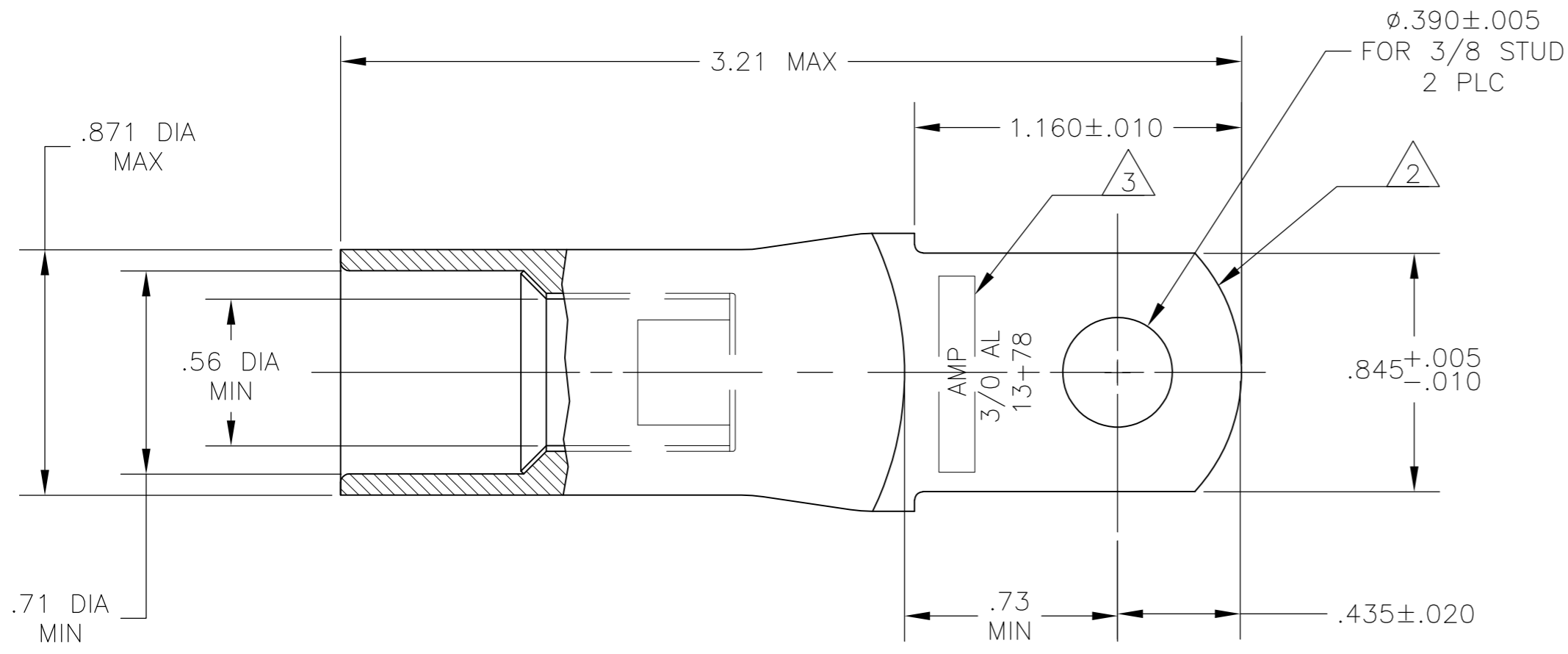
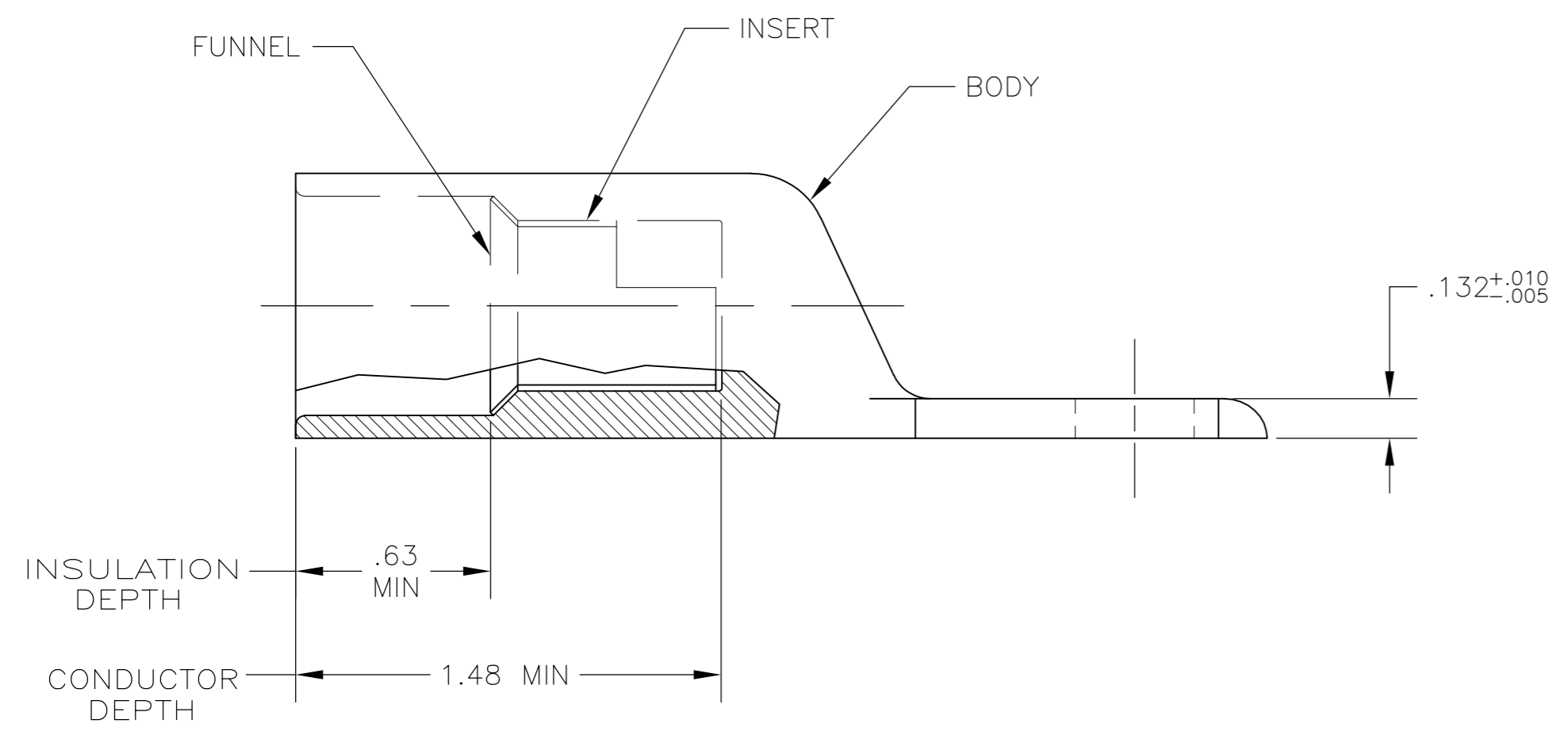


THIS DRAWING IS UNPUBLISHED. RELEASED FOR PUBLICATION
 © COPYRIGHT - By - ALL RIGHTS RESERVED.

LOC		DIST		REVISIONS			
P	LTR	DESCRIPTION	DATE	DWN	APVD		
	J	REVISED PER ECO-15-005109	27APR15	KG	PD		



- 1 WIRE INSULATION: .520-.633 DIA
- 2 THE TONGUE RADIUS FEATURE IS NOT A TOOLING CONTROLLED DIMENSION AND MAY NOT BE A TRUE RADIUS.
- 3 STAMP "AMP 3/0 AL 13-78" SIZE AND LOCATION APPROX AS SHOWN



BODY: COPPER ASTM-B187 ANNEALED TIN PL PER ASTM B-545 .000150 MIN THK INSERT & FUNNEL: BRASS ASTM B36 NICKEL PL SAE AMS QQ-N-290A, DATED JULY 2000, 0.00254 [.000100] MIN THK	696881-1
MATERIAL & FINISH	PART NO.

THIS DRAWING IS A CONTROLLED DOCUMENT.		DWN	JR RUTH	30SEP05	TE Connectivity
DIMENSIONS: MM [INCHES]		CHK	MJ SPICER	30SEP05	
TOLERANCES UNLESS OTHERWISE SPECIFIED:		APVD	MJ SPICER	30SEP05	
0 PLC ± - 1 PLC ± - 2 PLC ± - 3 PLC ± .008 4 PLC ± - ANGLES ± -		PRODUCT SPEC	NAME		
MATERIAL SEE TABLE		FINISH	SEE TABLE		WIRE TERMINAL, RING, NARROW TONGUE, SEALED COPALUM, WIRE SIZE: 3/0 ALUMINUM
WEIGHT		103±5 GRAMS		A2	RESTRICTED TO
CUSTOMER DRAWING		SCALE	2:1	SHEET	1 of 1
		REV	J		

696881