

Protective covers - EV-GBSC - 1623416

Please be informed that the data shown in this PDF Document is generated from our Online Catalog. Please find the complete data in the user's documentation. Our General Terms of Use for Downloads are valid (<http://phoenixcontact.com/download>)



Self-closing hinged cover for Infrastructure Socket Outlet, GB/T, Type 2, GB/T 20234.2, IEC 62196-2, Front mounting, on the right or left of the Infrastructure Socket Outlet

Product Description

Self-closing hinged cover for Infrastructure Socket Outlet

Why buy this product

Certified in accordance with IATF 16949:2016 and ISO 9001:2015

Key Commercial Data

Packing unit	1 STK
GTIN	
GTIN	4055626242903

Technical data

Product definition

Product type	Self-closing hinged cover for Infrastructure Socket Outlet
Type	Hinged cover screw connection at the rear
Standards/regulations	GB/T 20234.2
	IEC 62196-2
Charging standard	GB/T
	Type 2
Charging mode	Mode 3, Case B

Dimensions

Height	76.6 mm
Width	76.6 mm
Depth	24.7 mm
Bore dimensions	60 mm

Protective covers - EV-GBSC - 1623416

Technical data

Ambient conditions

Ambient temperature (operation)	-30 °C ... 50 °C
Ambient temperature (storage/transport)	-40 °C ... 80 °C
Degree of protection	IP54

Mechanical properties

Cover mechanism	Self-closing
-----------------	--------------

Mounting

Possible mounting positions	Front mounting, on the right or left of the Infrastructure Socket Outlet
Mounting hole diameter	4.30 mm (ø)

Design

Design line	Standard
Housing color	black
Label	14.1 mm x 44.8 mm (customer logo on request)

Material

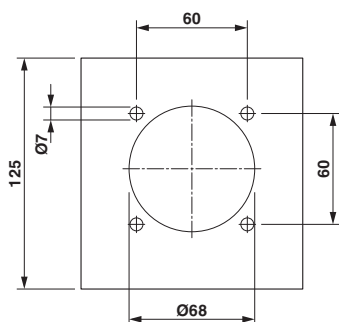
Material	Plastic
----------	---------

Environmental Product Compliance

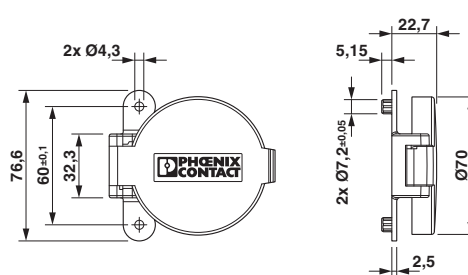
REACH SVHC	Lead 7439-92-1
China RoHS	Environmentally Friendly Use Period = 10;
	For details about hazardous substances go to tab "Downloads", Category "Manufacturer's declaration"

Drawings

Dimensional drawing



Dimensional drawing

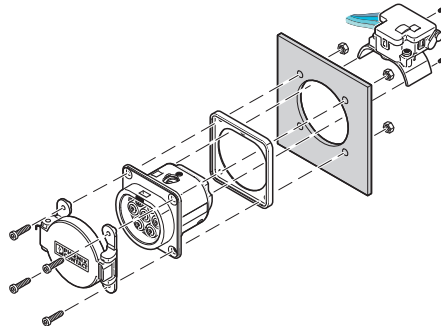


Dimensional drawing

Hole image

Protective covers - EV-GBSC - 1623416

Schematic diagram



Front mounting with rear hinged cover screw connection

Front mounting is only possible when the locking actuator is removed. The screw connection for a hinged cover from the accessories range (EV-GBSC...) only supports rear mounting.

Phoenix Contact 2018 © - all rights reserved
<http://www.phoenixcontact.com>

PHOENIX CONTACT GmbH & Co. KG
Flachsmarktstr. 8
32825 Blomberg
Germany
Tel. +49 5235 300
Fax +49 5235 3 41200
<http://www.phoenixcontact.com>