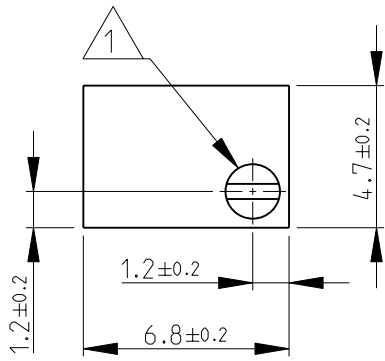
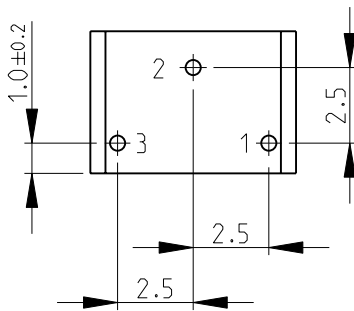
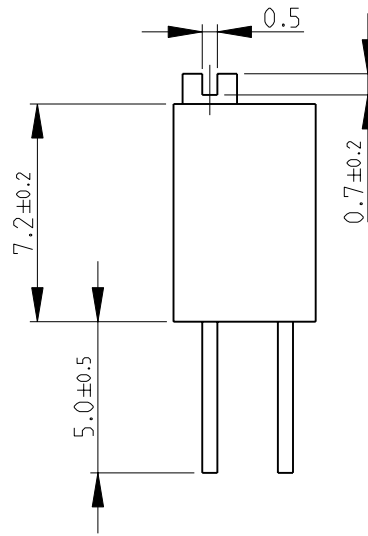
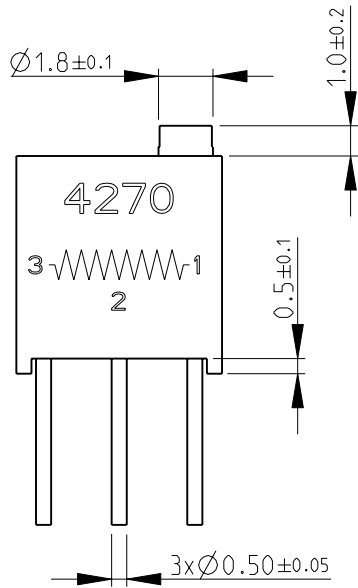


LOC E	DIST B	REVISIONS					
		P	LTR	DESCRIPTION	DATE	DWN	APVD
			BA1	AS PER ECR-09-013551	15-JUN-09	SM	St.P

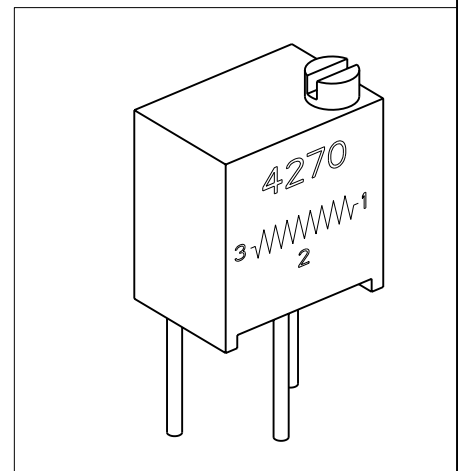


1 TOP ADJUSTMENT SCREW

2 FOR FURTHER INFORMATION SEE DATA SHEET FOR 4270 SERIES-PROFESSIONAL TRIMMERS



RoHS Compliant



2008  
 RELEASED FOR PUBLICATION  
 BY TYCO ELECTRONICS CORPORATION. ALL RIGHTS RESERVED.  
 COPYRIGHT 2008

DIMENSIONS: mm	DWN SUBHASH.M	17-NOV-08	MATERIAL	-	FINISH	-
	CHK PRAKASH.S	17-NOV-08	Tyco Electronics Corporation Dorcan, Swindon, SN3 5HH			
TOLERANCES UNLESS OTHERWISE SPECIFIED:	APVD STEPHEN.P	17-NOV-08				
	0 PLC ±0.2	PRODUCT SPEC	NAME PROFESSIONAL TRIMMERS SERIES 4270W			
1 PLC ±0.1	-	APPLICATION SPEC	SIZE	CAGE CODE	DRAWING NO	RESTRICTED TO
2 PLC ±-	-	-	A 4	00779	©-1623862	-
3 PLC ±-	WEIGHT	0.4g max.	SCALE 4:1 SHEET 1 OF 1 REV BA1			
4 PLC ±-	CUSTOMER DRAWING					
ANGLES ±5°						