

# 10/100BASE-T LAN MAGNETICS

## Low Profile PCMCIA Transformer Modules

LM00411

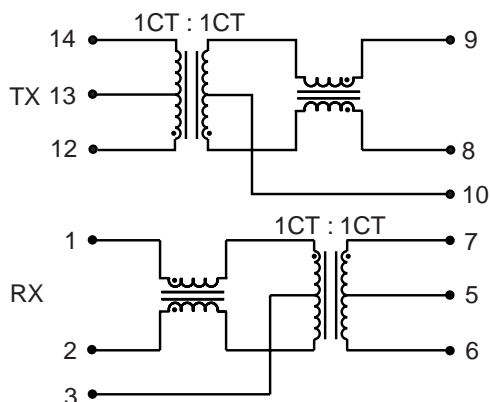
- Low profile, surface mount packaging rated to 225° C peak IR reflow temperature
- Four low profile package heights ranging from .098" (2.48mm) to .078" (1.98mm)
- Meets all IEEE 802.3 standards including 350  $\mu$ H OCL with 8mA bias
- Operating temperature 0° to 70° C
- Minimum interwinding breakdown voltage of 1500 Vrms

### ELECTRICAL SPECIFICATIONS AT 25° C

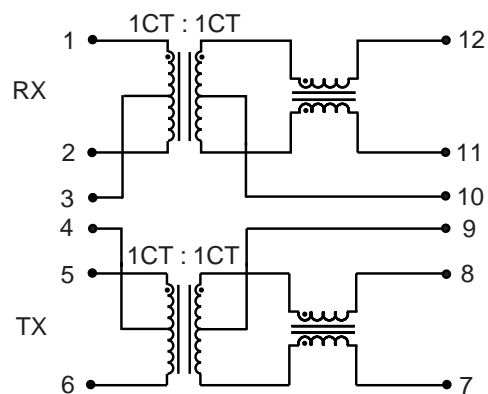
| Part Number  | Turns Ratio  |           | Insertion Loss dB max | Return Loss dB min |       |       | Crosstalk dB min | Common to Differential Mode Rejection dB min |                |       |       |
|--------------|--------------|-----------|-----------------------|--------------------|-------|-------|------------------|--|----------------|-------|-------|
|              | TX           | RX        |                       | 1MHz to 100MHz     | 30MHz | 60MHz |                  | 80MHz  | 1MHz to 100MHz | 30MHz | 50MHz |
| S558-5999-32 | 1CT : 1CT    | 1CT : 1CT | -2.0                  | -17                | -13   | -12   | -35              | -40  | -40            | -30   | -20   |
| S558-5999-59 | 1CT : 1CT    | 1CT : 1CT | -1.0                  | -17                | -13   | -12   | -35              | -40  | -40            | -30   | -20   |
| S558-5999-69 | 1CT : 1CT    | 1CT : 1CT | -1.2                  | -17                | -13   | -12   | -35              | -40  | -40            | -30   | -20   |
| S558-5999-A2 | 1.41CT : 1CT | 1CT : 1CT | -2.0                  | -17                | -13   | -12   | -35              | -40  | -40            | -30   | -20   |
| S558-5999-L1 | 1CT : 1CT    | 1CT : 1CT | -2.0                  | -17                | -13   | -12   | -35              | -40  | -40            | -30   | -20   |
| S558-5999-L5 | 1CT : 1CT    | 1CT : 1CT | -0.9                  | -18                | -13   | -12   | -40              | -40  | -40            | -30   | -20   |

### SCHEMATICS

S558-5999-32



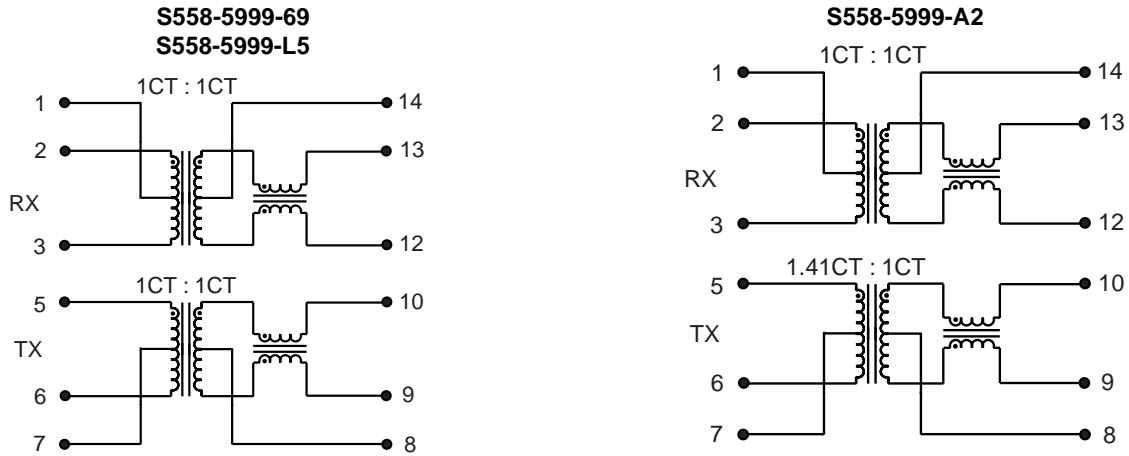
S558-5999-59



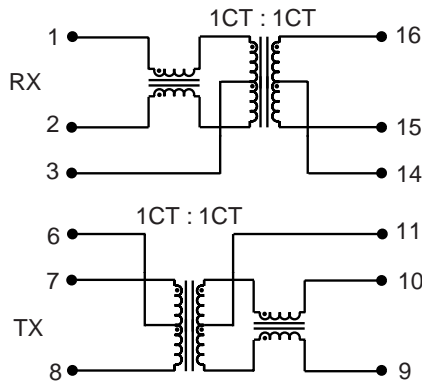
©2000 Bel Fuse Inc. Specifications subject to change without notice. 01.00

LM00411

### SCHEMATICS

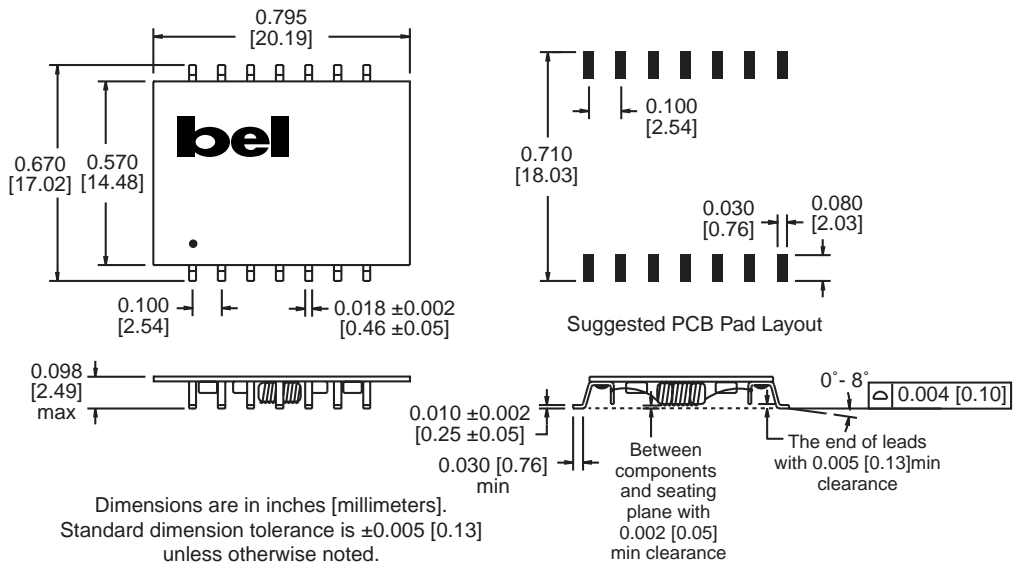


### S558-5999-L1



### MECHANICALS

**S558-5999-32**  
**S558-5999-69**



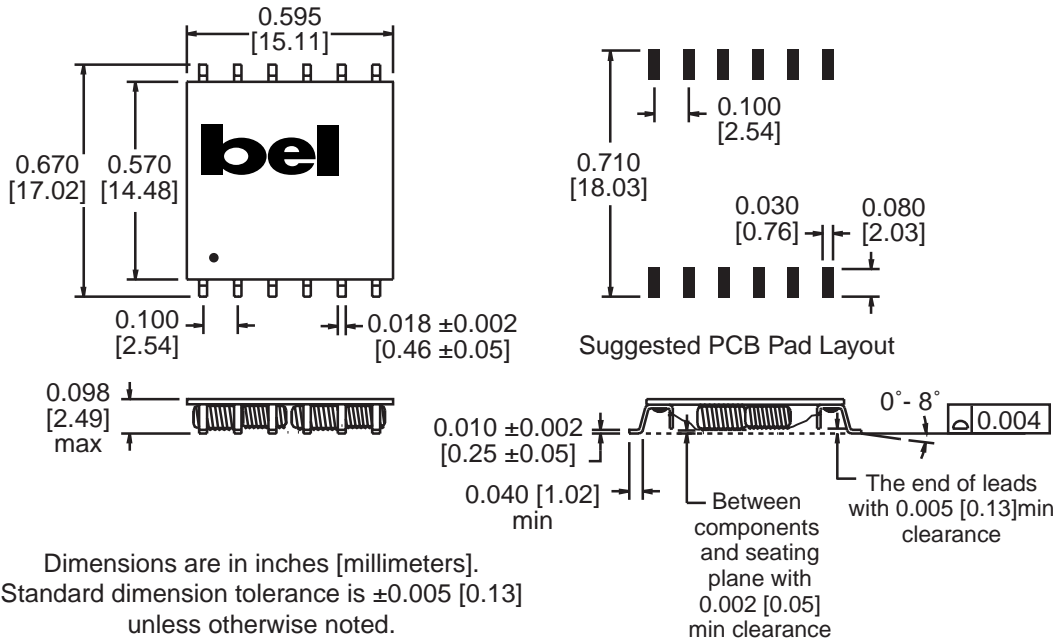
# 10/100BASE-T LAN MAGNETICS

## Low Profile PCMCIA Transformer Modules

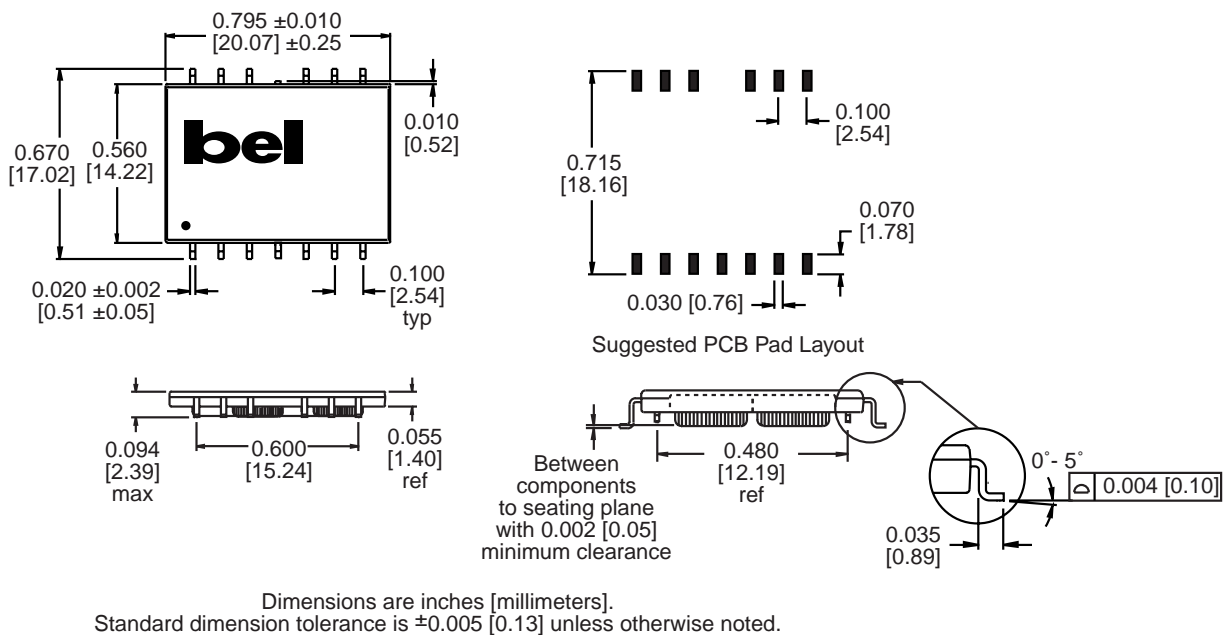
LM00411

### MECHANICALS

S558-5999-59



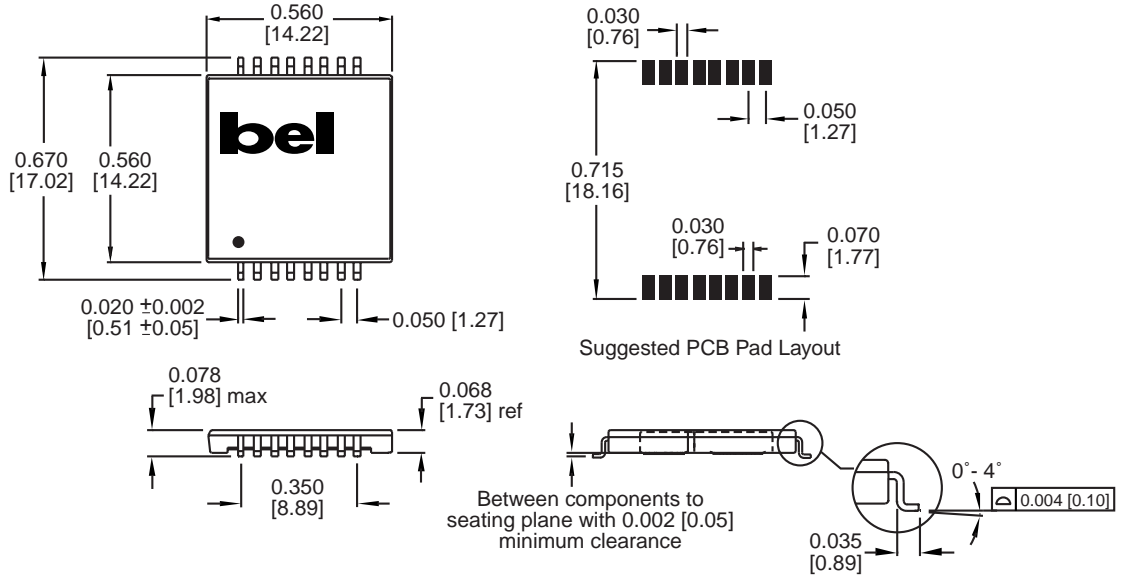
S558-5999-A2



LM00411

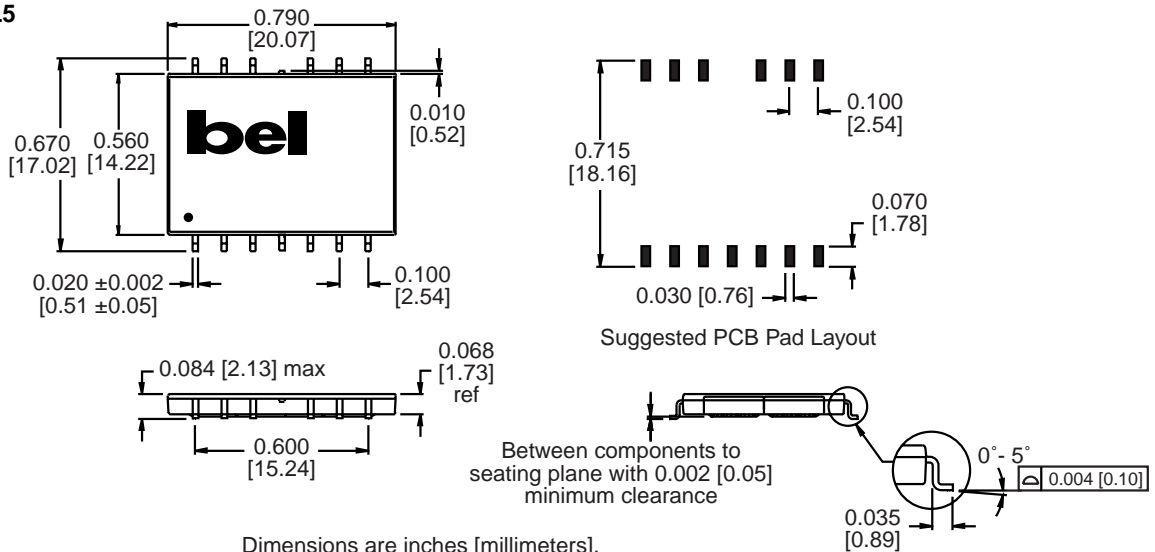
### MECHANICALS

#### S558-5999-L1



Dimensions are inches [millimeters].  
Standard dimension tolerance is  $\pm 0.005$  [0.13] unless otherwise noted.

#### S558-5999-L5



Dimensions are inches [millimeters].  
Standard dimension tolerance is  $\pm 0.005$  [0.13] unless otherwise noted.

©2000 Bel Fuse Inc. Specifications subject to change without notice. 01.00

#### CORPORATE

**Bel Fuse Inc.**  
206 Van Vorst Street  
Jersey City, NJ 07302  
Tel 201-432-0463  
Fax 201-432-9542  
www.belfuse.com

#### FAR EAST

**Bel Fuse Ltd.**  
8F / 8 Luk Hop Street  
San Po Kong  
Kowloon, Hong Kong  
Tel 852-2328-5515  
Fax 852-2352-3706  
www.belfuse.com

#### EUROPE

**Bel Fuse Europe Ltd.**  
Preston Technology Management Centre  
Marsh Lane, Suite G7, Preston  
Lancashire, PR1 8UD, U.K.  
Tel 44-1772-556601  
Fax 44-1772-888366  
www.belfuse.com