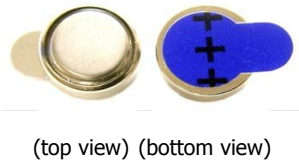


ENERGIZER 675 size - **Mercury Free**

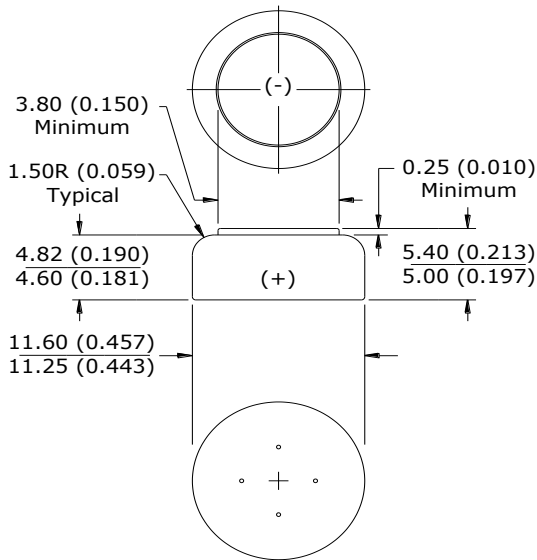
ZnAir



(top view) (bottom view)

Industry Standard Dimensions

mm (inches)

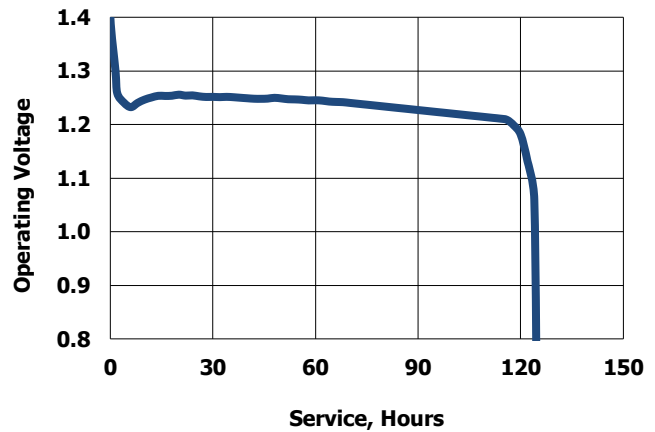


Specifications

Chemical System:	Zinc Air (Zn/O ₂)
Tab Color:	Blue
Designation:	ANSI-7003ZD, IEC-PR44
Nominal Voltage:	1.4 Volts
Typical Capacity:	620 mAh (to 0.9 volts) (Rated at 625 ohms at 21°C/50% RH)
Typical Weight:	1.9 grams (0.1 oz.)
Typical Volume:	0.5 cubic centimeters (0.03 cubic inch)

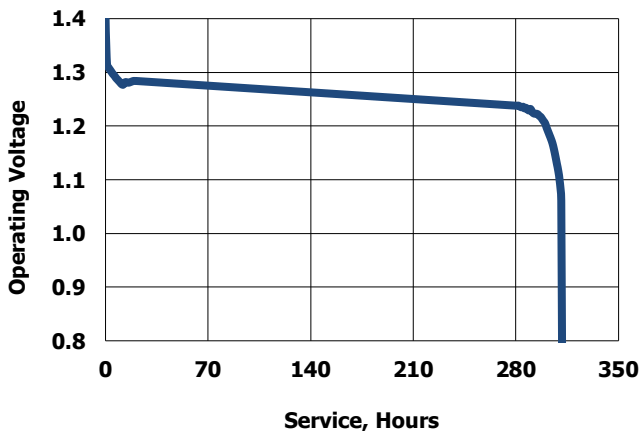
Typical Discharge Characteristics

IEC Industry Standards / Standard Test Protocol
(15/5 mA .1S/1H59M 59.9S 12H at 21C)



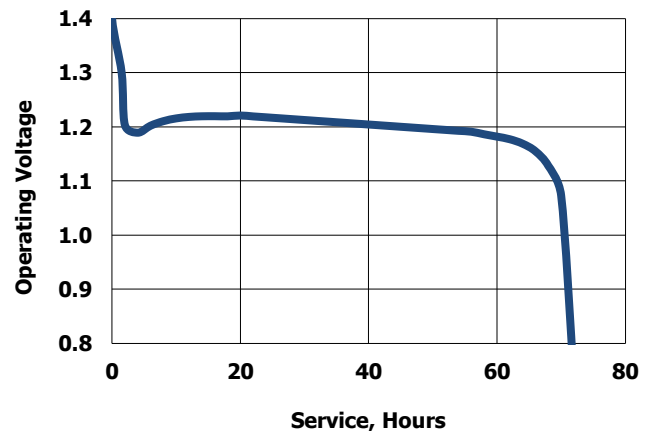
Typical Discharge Characteristics

ANSI/IEC Industry Standards / Intermittent Test Protocol
(620 ohm 12 hours per day at 21C)



Typical Discharge Characteristics

IEC Industry Standards / High Drain Test Protocol
(24/8 mA .1S/1H59M 59.9S 12H at 21C)



Important Notice

This data sheet contains typical information specific to products manufactured at the time of its publication.
©Energizer Holdings, Inc. - Contents herein do not constitute a warranty.