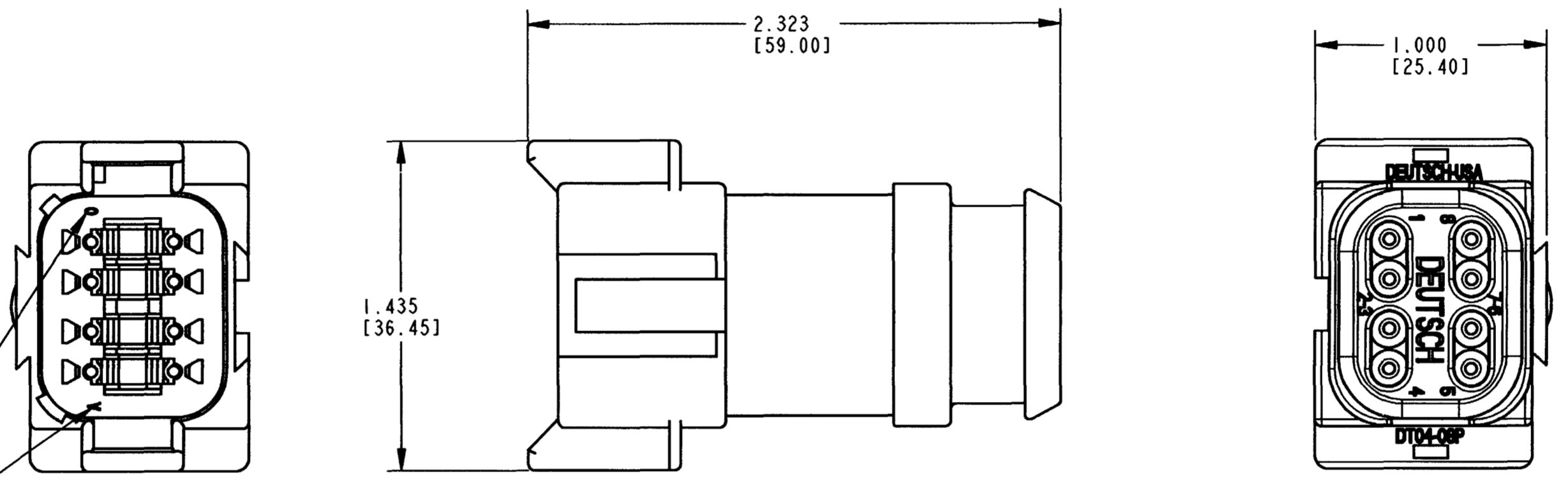


REV
NC DT04-08P*-E008

REVISIONS			
SYM	DESCRIPTION	DATE	APPROVED
NC	REDRAWN / REPLACES PREVIOUS		
	RELEASE PER E.O. P19917	6-25-08	RDR



DATE CODE: MONTH IS REPRESENTED BY SEQUENTIAL ALPHA CHARACTERS. EX: A = JANUARY
YEAR IS REPRESENTED BY LAST NUMERICAL DIGIT
EX: 0 = 2000

CONTACT SIZE	MIN. INSUL. O.D.	MAX. INSUL. O.D.	WIRE RANGE [mm ²] REF ONLY ³
16	.088 [2.23]	.145 [3.68]	14-20 AWG [2.0-0.5]

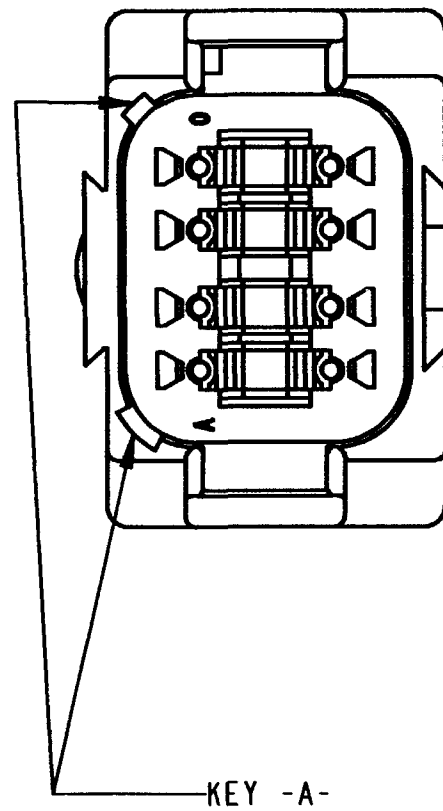
- 5. MATERIAL - SHELL: PLASTIC; SEAL: RUBBER
- 4. THIS RECEPTACLE MATES WITH DT06-08S*-**** PLUG (* = A,B,C,D KEYS; **** = ALL MODIFICATIONS) CONSULT FACTORY FOR MODIFICATIONS.
- ³ FOR CONTACTS AND WIRE PERFORMANCE AND APPLICATION CHARACTERISTICS SEE ENVELOPE DRAWINGS 0425-015-0000 AND 0425-017-0000.
- 2. DIMENSIONS ARE ±.025 [0.63] UNLESS OTHERWISE SPECIFIED.

NOTES: 1. DIMENSIONS ARE IN INCHES [MILLIMETERS].

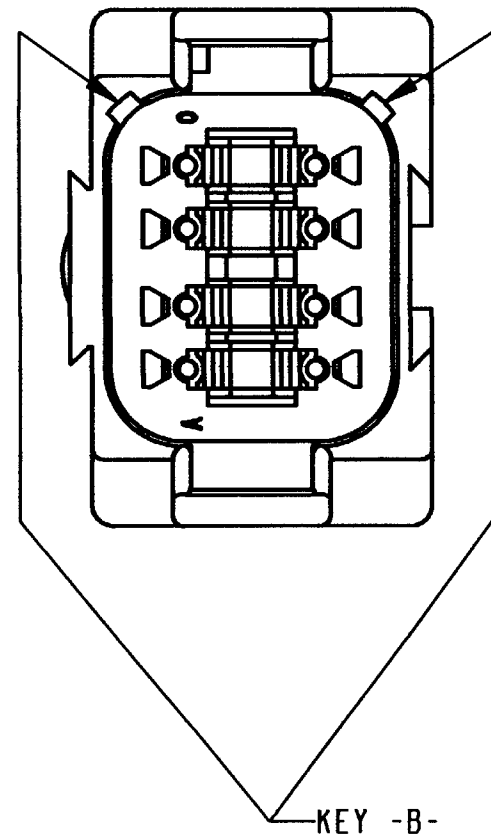
SIGNATURE & DATE		8 WAY RECEPTACLE SHRINK BOOT ADAPTER DT SERIES	EP	MATL. CODE
DR	R. MESSENGER 6/19/08		3850 INDUSTRIAL AVE. HEMET, CA 92545	
CHK	<i>[Signature]</i> 6/25/08		DEUTSCH INDUSTRIAL	
PE	<i>[Signature]</i> 6/25/08		B DT04-08P*-E008	
APPD	<i>[Signature]</i> 6-25-08		DWG SIZE	CODE 11139
SCALE	NONE WT	ENVELOPE		

REV	DT04-08P*-E008	REVISIONS		
NC	SYM	DESCRIPTION	DATE	APPROVED
	NC	SEE SHEET 1	6-25-08	RDR

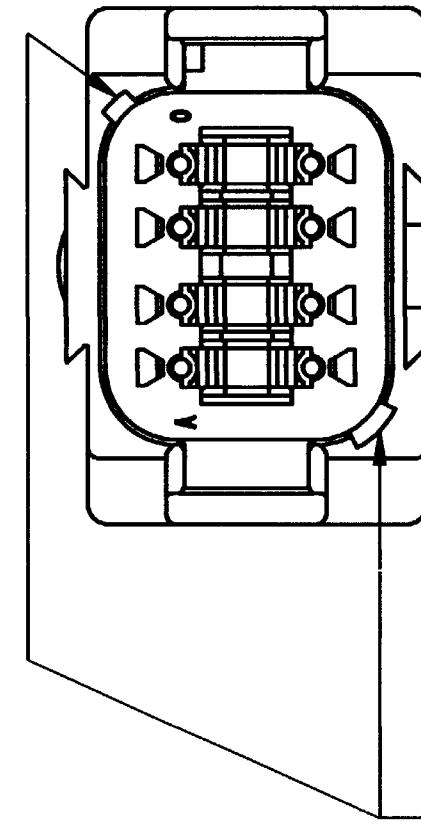
DT04-08PA-E008
COLOR: GRAY



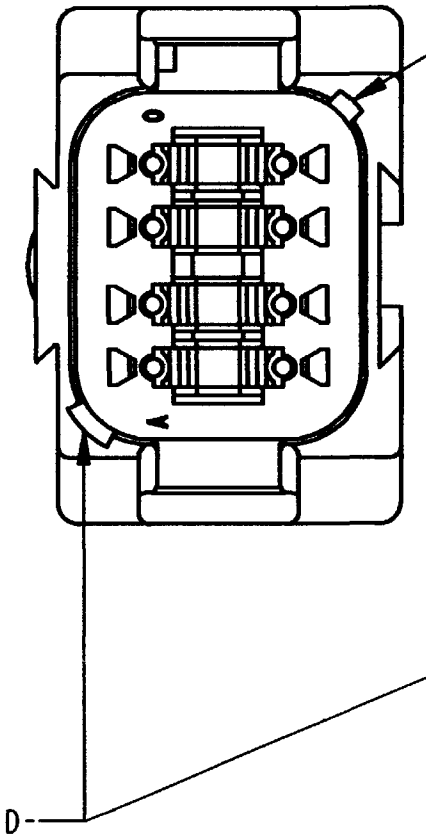
DT04-08PB-E008
COLOR: BLACK



DT04-08PC-E008
COLOR: GREEN



DT04-08PD-E008
COLOR: BROWN



NOTES:

SIGNATURE & DATE		8 WAY RECEPTACLE SHRINK BOOT ADAPTER DT SERIES	EP	MATL. CODE
DR	R. MESSENGER 6/19/08		 3850 INDUSTRIAL AVE. HEMET, CA 92545	B DT04-08P*-E008
CHK	D. Wilcox 6/25/08			
PE	K. Wray 6/25/08			
APPD	S. Bend 6/25/08	ENVELOPE	DWG SIZE	CODE 11139
SCALE	NONE	WT	SHEET 2 OF 2	