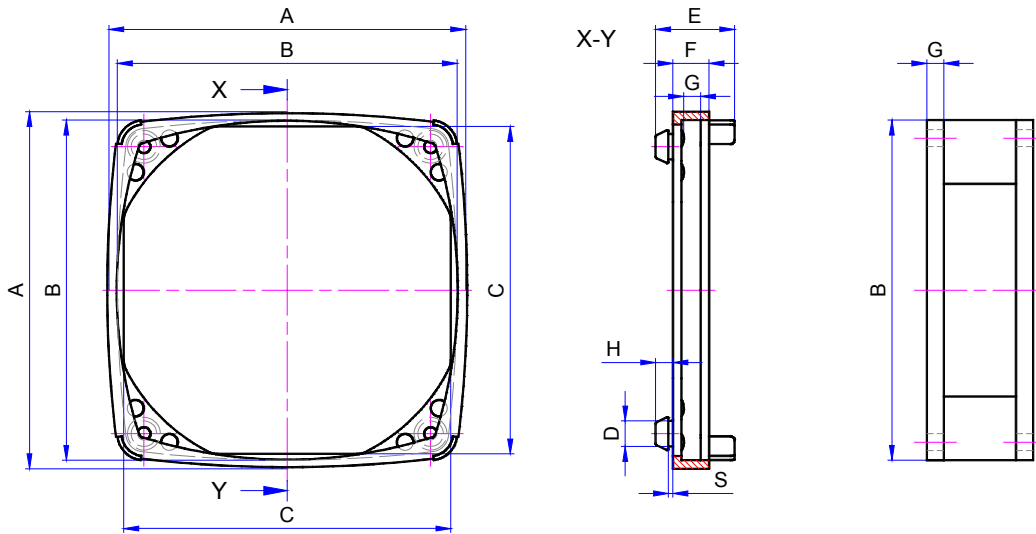


QLM Fan Vibration Sleeves



Material:	TPE (Thermoplastic Elastomer) RoHS Compliant
Color:	Black
Hardness:	ca 70° Shore A
Fire Resistance:	UL94-V0



Ordering Information: **QLM** - **40** - **20** - **10 or 20**

Series Fan Size B Fan Flange Thickness 10 = panel thickness from 0.75 to 1.25mm
 20 = panel thickness from 1.50 to 2.50mm

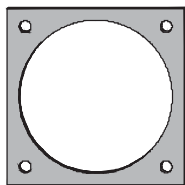
CUSTOM SIZES AVAILABLE BY REQUEST

Part Number	A	B	C	D	E	F	G	H	S	PANEL THICKNESS
	Inch / mm	Inch / mm	Inch / mm	Inch / mm	Inch / mm	Inch / mm	Inch / mm	Inch / mm	Inch / mm	Inch / mm
QLM-40-20-10	1.692 / 43	1.574 / 40	1.496 / 38	.177 / 4.5	.581 / 14.75	.207 / 5.25	.008 / 2.0	.138 / 3.5	.039 / 1.0	.030 / .75 - .049 / 1.25
QLM-40-20-20	1.692 / 43	1.574 / 40	1.496 / 38	.177 / 4.5	.620 / 15.75	.207 / 5.25	.008 / 2.0	.178 / 4.5	.079 / 2.0	.059 / 1.5 - .098 / 2.5
QLM-60-30-10	2.520 / 64	2.362 / 60	2.283 / 58	.197 / 5.0	.689 / 17.5	.295 / 7.5	.008 / 2.0	.157 / 4.0	.039 / 1.0	.030 / .75 - .049 / 1.25
QLM-60-30-20	2.520 / 64	2.362 / 60	2.283 / 58	.197 / 5.0	.728 / 18.5	.295 / 7.5	.118 / 3.0	.197 / 5.0	.079 / 2.0	.059 / 1.5 - .098 / 2.5
QLM-80-40-10	3.307 / 84	3.150 / 80	3.031 / 77	.228 / 5.8	.728 / 18.5	.335 / 8.5	.157 / 4.0	.157 / 4.0	.039 / 1.0	.030 / .75 - .049 / 1.25
QLM-80-40-20	3.307 / 84	3.150 / 80	3.031 / 77	.228 / 5.8	.768 / 19.5	.335 / 8.5	.157 / 4.0	.197 / 5.0	.079 / 2.0	.059 / 1.5 - .098 / 2.5
QLM-80-50-10	3.307 / 84	3.150 / 80	3.031 / 77	.228 / 5.8	.807 / 20.5	.374 / 9.5	.197 / 5.0	.157 / 4.0	.039 / 1.0	.030 / .75 - .049 / 1.25
QLM-80-50-20	3.307 / 84	3.150 / 80	3.031 / 77	.228 / 5.8	.846 / 21.5	.374 / 9.5	.197 / 5.0	.197 / 5.0	.079 / 2.0	.059 / 1.5 - .098 / 2.5
QLM-92-40-10	3.819 / 97	3.622 / 92	3.504 / 89	.236 / 6.0	.768 / 19.5	.374 / 9.5	.157 / 4.0	.157 / 4.0	.039 / 1.0	.030 / .75 - .049 / 1.25
QLM-92-40-20	3.819 / 97	3.622 / 92	3.504 / 89	.236 / 6.0	.807 / 20.5	.374 / 9.5	.157 / 4.0	.197 / 5.0	.079 / 2.0	.059 / 1.5 - .098 / 2.5
QLM-92-50-10	3.819 / 97	3.622 / 92	3.504 / 89	.236 / 6.0	.846 / 21.5	.413 / 10.5	.197 / 5.0	.157 / 4.0	.039 / 1.0	.030 / .75 - .049 / 1.25
QLM-92-50-20	3.819 / 97	3.622 / 92	3.504 / 89	.236 / 6.0	.886 / 22.5	.413 / 10.5	.197 / 5.0	.197 / 5.0	.079 / 2.0	.059 / 1.5 - .098 / 2.5
QLM-119-40-10	4.921 / 125	4.685 / 119	4.567 / 116	.315 / 8.0	.866 / 22.0	.374 / 9.5	.157 / 4.0	.177 / 4.5	.039 / 1.0	.030 / .75 - .049 / 1.25
QLM-119-40-20	4.921 / 125	4.685 / 119	4.567 / 116	.315 / 8.0	.906 / 23.0	.374 / 9.5	.157 / 4.0	.217 / 5.5	.079 / 2.0	.059 / 1.5 - .098 / 2.5
QLM-119-50-10	4.921 / 125	4.685 / 119	4.567 / 116	.315 / 8.0	.945 / 24.0	.413 / 10.5	.197 / 5.0	.177 / 4.5	.039 / 1.0	.030 / .75 - .049 / 1.25
QLM-119-50-20	4.921 / 125	4.685 / 119	4.567 / 116	.315 / 8.0	.984 / 25.0	.413 / 10.5	.197 / 5.0	.217 / 5.5	.079 / 2.0	.059 / 1.5 - .098 / 2.5
QLM-119-60-10	4.921 / 125	4.685 / 119	4.567 / 116	.315 / 8.0	1.024 / 26.0	.453 / 11.5	.236 / 6.0	.177 / 4.5	.039 / 1.0	.030 / .75 - .049 / 1.25
QLM-119-60-20	4.921 / 125	4.685 / 119	4.567 / 116	.315 / 8.0	1.063 / 27.0	.453 / 11.5	.236 / 6.0	.217 / 5.5	.079 / 2.0	.059 / 1.5 - .098 / 2.5

7610 Jenther Drive,
 Mentor, OH 44060
 Phone: 1-440-951-3300
 Fax: 1-440-951-7252

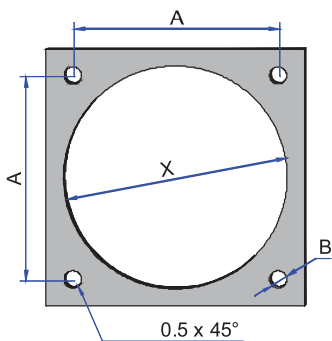
Qualtek Electronics Corporation

E-Mail: mailbox@qualtekusa.com
 Web: www.qualtekusa.com



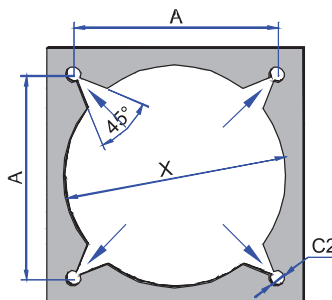
Recommended mounting styles / hole cut-outs and measure for mounting plates and housing walls.

Dependant on given space circumstances there are four possible ways to mount the elastic sleeves
 Only one hole cut-out has to be used to install the sleeve on a mounting plate or housing wall.



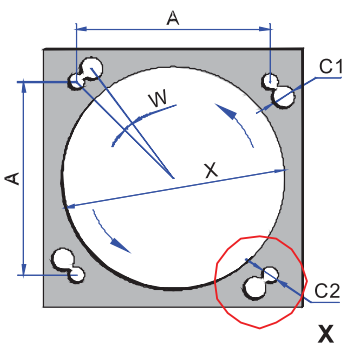
**Mounting style/
Hole cut-out 1
Plug-in mounting**

First pull the sleeve over the flange of the fan, then place the four pegs on the holes **B** of the mounting plate and pull them through from the back side.



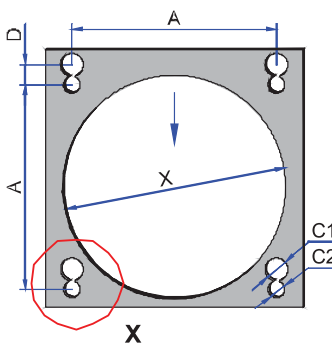
**Mounting style/
Hole cut-out 2
Plug-and-pull mounting**

First place the four pegs through the 45° outbreak in the mounting plate and pull them out into the holes **C2**. Now put the fan into the sleeve and pull the corners over the flanges of the fan.



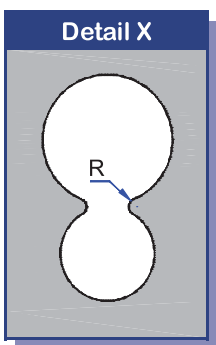
**Mounting style/
Hole cut-out 3
plug-and turn mount-
ing**

First pull the sleeve over the flange of the fan, then place the four pegs in the larger holes **C1** of the mounting plate and pull the pegs with a turn into the holes **C2**.



**Mounting style/
Hole cut-out 4
Plug-and-push mounting**

First pull the sleeve over the flange of the fan, then place the four pegs in the larger holes **C1** of the mounting plate and push the pegs down into the holes **C2**.



!! Please Note !!

By adjusting the size D/W and the size of radius R the resistance to mount and remount the fan with sleeve can be altered.

Mounting style / Hole cut-out 1

is preferable when there is limited space around the fan. Please note! You need space at the back side to pull out the pegs.

Mounting style / Hole cut-out 2

is recommend, when the space around the fan allows to pull the sleeve over the fan flanges. You don't need access to the back side.

Mounting style / Hole cut-out 3/4

are the quickest ways to attach the fans provided sufficient space is available to pull or turn the sleeve and fan. Access to the back side is not necessary.

We are always available for consultation should you have any question regarding the appropriate mounting style / hole cut-out and mounting procedure.

Hole cut-out dimensions	A	B	C1	C2	D	R	W	X
For QLM-30...	24.0	4.5	5.5	4.0	5.0	0.5-1.0	16.5°	Form / dimensions dependent on fan manufacturer
For QLM-40...	32.0	5.0	6.5	4.5	5.75	0.5-1.0	14.5°	Form / dimensions dependent on fan manufacturer
For QLM-50...	42.0	5.0	6.5	4.5	5.75	0.5-1.0	11.0°	Form / dimensions dependent on fan manufacturer
For QLM-60...	50.0	5.5	7.5	5.0	6.5	0.5-1.0	10.5°	Form / dimensions dependent on fan manufacturer
For QLM-80...	71.5	6.5	8.0	6.0	7.0	0.5-1.0	8°	Form / dimensions dependent on fan manufacturer
For QLM-92...	82.5	6.5	8.5	6.0	7.25	0.5-1.0	7°	Form / dimensions dependent on fan manufacturer
For QLM-119...	105.0	8.5	11.0	8.0	9.5	1.0-2.0	7°	Form / dimensions dependent on fan manufacturer

All dimensions in mm!