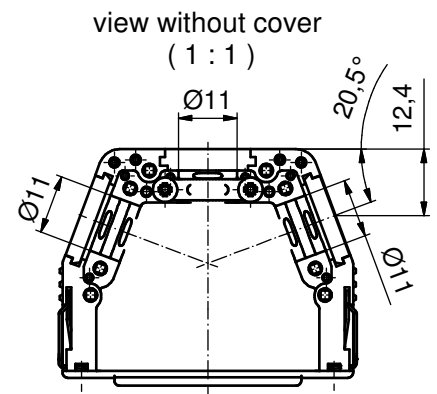
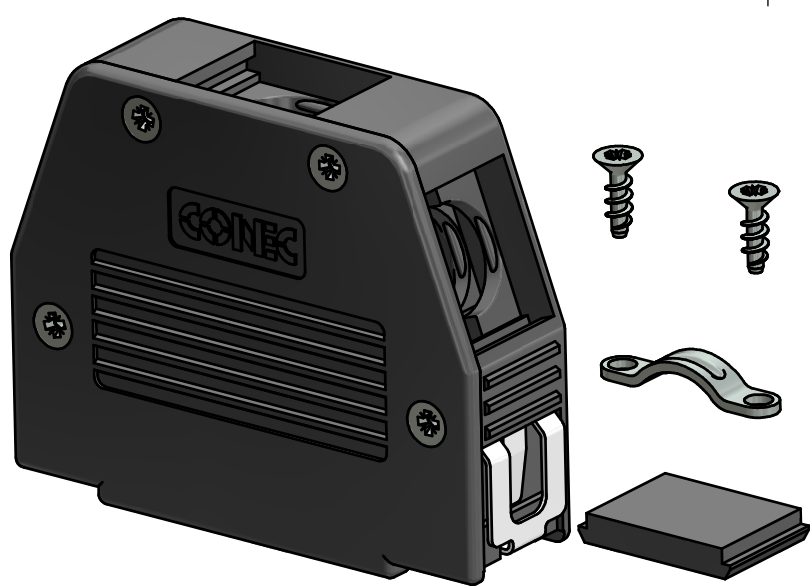
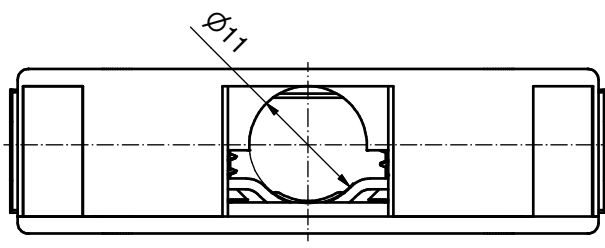
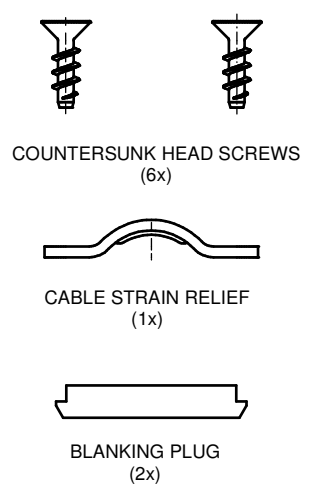
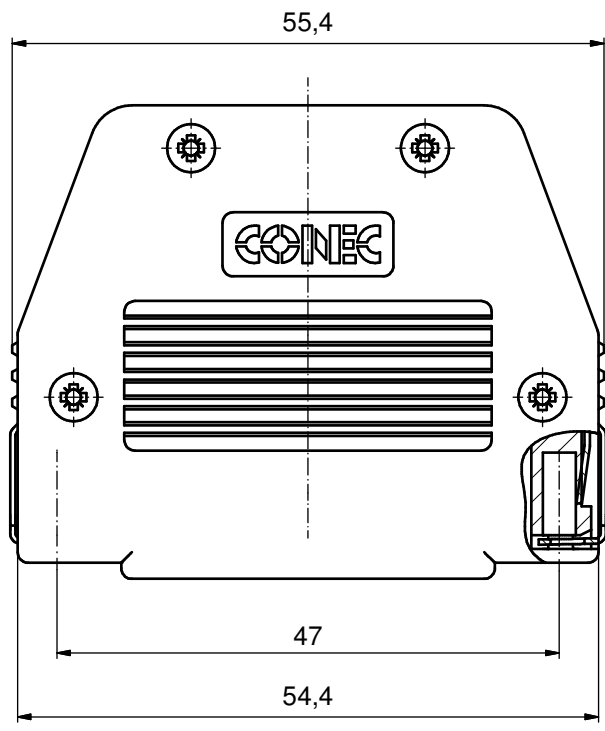
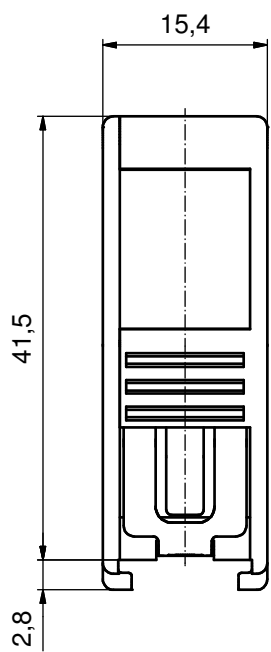


6 5 4 3 2 1



- HOOD ASSEMBLY CONSISTS OF:**
1. HOOD + COVER: ABS UL 94 V-0; BLACK
  2. BLANKING PLUGS: ABS UL 94 V-0; BLACK
  3. CABLE STRAIN RELIEF: STEEL; NICKEL PLATED
  4. CLIP: STAINLESS STEEL
  5. COUNTERSUNK HEAD SCREWS: STEEL; NICKEL PLATED

Part-No.	Part-No.
Bulk package	Single package
16-001830	16-001830E

RoHS compliant

THIS DRAWING MAY NOT BE COPIED OR REPRODUCED IN ANY WAY, AND MAY NOT BE PASSED ON TO A THIRD PARTY WITHOUT WRITTEN PERMISSION. OWNERSHIP AND COPYRIGHT OF CONEC GmbH DO NOT ALTER CAD DRAWING BY HAND	tolerance		dim. in mm		scale: 2:1 (1:1)	
					material: see drawing	
	drawn	12.11.12	name		title: Plastic Hood 25pos with Snap Lock / top and two sides cable exit	
	appd.	26.03.14	Koch			
	norm					
	2 x c	Ä5619	22.04.2015	K.H.	d-old	SK0823Y15
3 x b	Ä5357	24.09.2014	K.H.			DIN-A3
a	Original					sh: 1
rev.	description	date	name	<b>CONEC</b>		part no: (c) (b) SEE TABLE

6 5 4 3 2 1