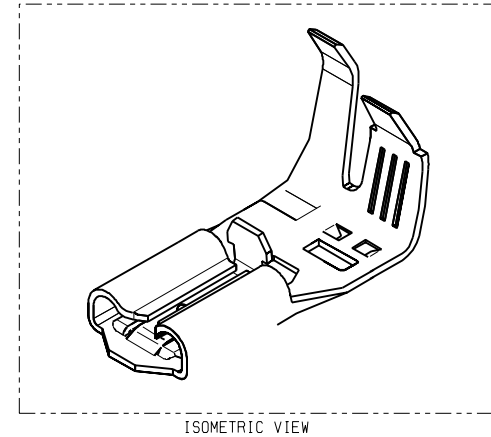
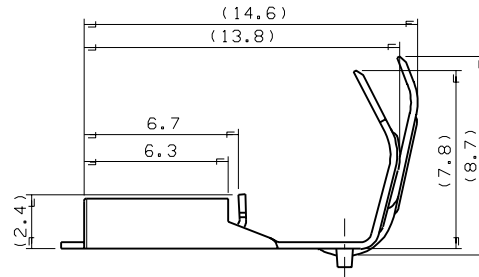
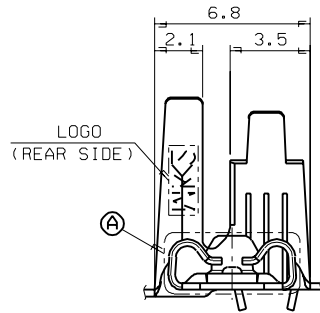


- NOTES
1. MATERIAL : BRASS, 0.3MM THICKNESS
 2. FINISH : PRE-PLATED TIN
 3. MATING TAB THICKNESS : 0.5MM
 4. MATED HOUSING : 35526-0-10



				MATERIAL		SEE NOTES		MOLEX-KOREA CO.,LTD.	
				GENERAL TOLERANCE		DIMENSION : +0.3		DRAWN BY J.S.KANG	
				ANGLE :				CHK'D BY	
				DIMENSION CLASSIFICATION		▼ : CRITICAL ▼ : MAJOR () : REFERENCE		APP'D BY	
A NEW RELEASED				KOR7 97		8.1		SCALE 5/1	
LTR REVISION RECORD				ECN		DATE		TITLE :	
								.187 MP-LOCK FLAG TM'L	
								SHEET 1 OF 1	
								REV A	
REVISE ONLY ON CAD SYSTEM								ENG. NO. SD 35418-9002	