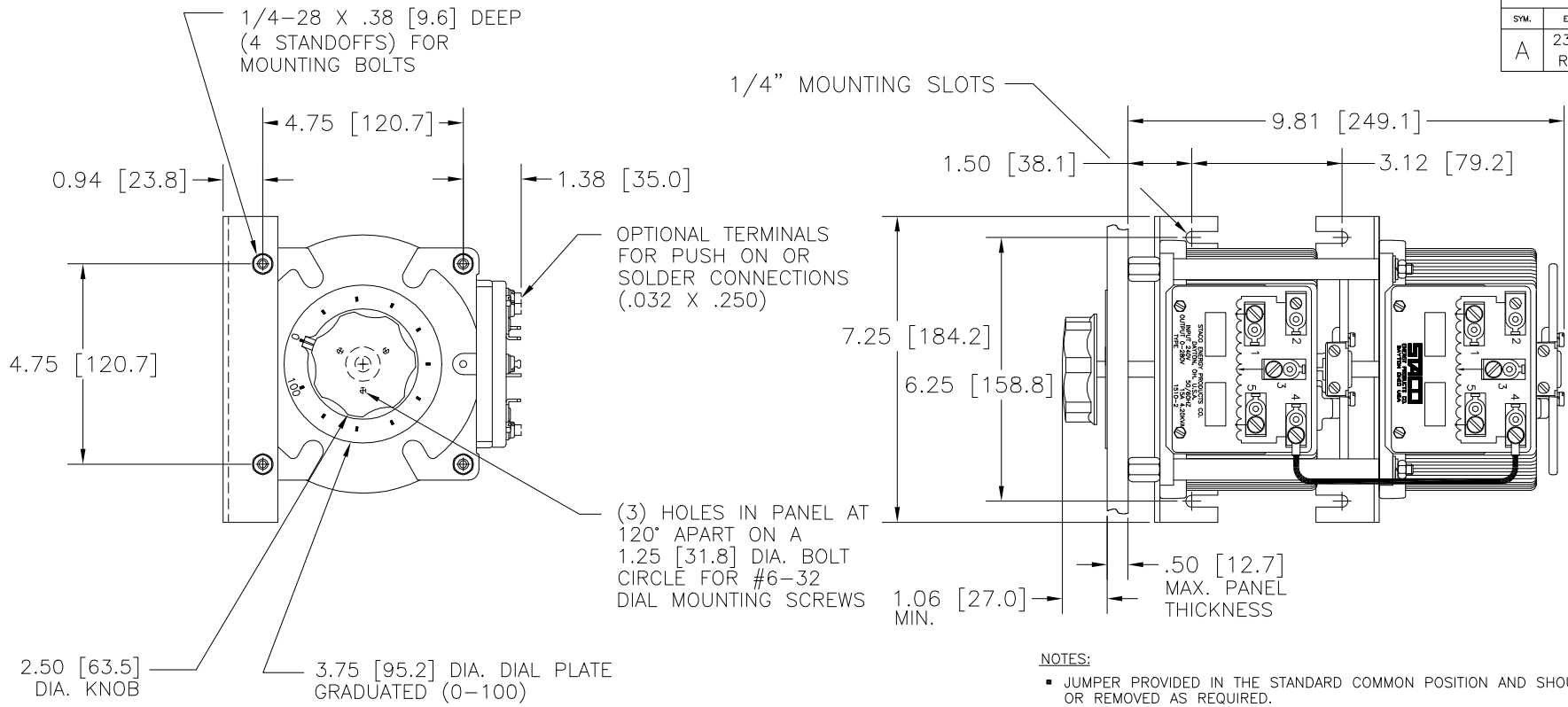
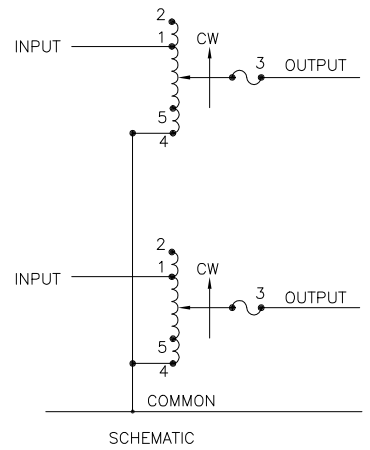


DWG. NO.	031-3613		
REVISIONS			
SYM.	E.C.N.	DATE	APVD.
A	23231	9/23/96	REVISED & UPDATED



**NOTES:**

- JUMPER PROVIDED IN THE STANDARD COMMON POSITION AND SHOULD BE MOVED OR REMOVED AS REQUIRED.
- ⌘ IF GANGED UNITS ARE USED IN A SYSTEM THAT ORDINARILY HAS A COMMON NEUTRAL OR GROUND BETWEEN SOURCE AND LOAD, THE NEUTRAL OR GROUND MUST BE CONNECTED TO THE COMMON TERMINALS OF THE VARIABLE TRANSFORMER ASSEMBLY. IF THE SYSTEM HAS NO NEUTRAL, THE LOAD MUST BE BALANCED OR THE TRANSFORMERS WILL BE DAMAGED.



**NOTE:**  
FUSE RECOMMENDED BUT NOT SUPPLIED

SPECIFICATIONS												
WIRING	INPUT		OUTPUT				SHAFT ROTATION TO INCREASE VOLTAGE	TERMINAL CONNECTIONS				
	VOLTS	HERTZ	VOLTS	CONSTANT CURRENT LOAD		CONSTANT IMPEDANCE LOAD		FOR INCREASING VOLTAGE AS VIEWED FROM BASE END				
				MAX. AMPS	MAX. KVA	MAX. AMPS		MAX. KVA	INPUT	JUMPER	OUTPUT	
SINGLE PHASE SERIES	240	50/60	0-240	15	3.60	20	4.80	CW	2-2	4-4	3-3	
			0-280	15	4.20	—	—	CCW	4-4	2-2	3-3	
									CW	1-1	4-4	3-3
									CCW	5-5	2-2	3-3
THREE PHASE OPEN DELTA ⌘	120	50/60	0-120	15	3.12	20	4.15	CW	2-4-2	4-4	3-4-3	
			0-140	15	3.64	—	—	CCW	4-2-4	2-2	3-2-3	
									CW	1-4-1	4-4	3-4-3
									CCW	5-2-5	2-2	3-2-3

UNLESS OTHERWISE SPECIFIED, TOLERANCE IS ± DECIMALS HOLES ANGLES DRAFT .XX ±.06 .002 1° 1-1/2° .XXX .005		UNITS IN [mm]	TITLE: SPEC. CONTROL DWG. VARIABLE TRANSFORMER TYPE: 1510-2		<b>STACO ENERGY PRODUCTS CO.</b> DAYTON, OHIO U.S.A.	
MATERIAL:	ALL DIMENSIONS APPLY AFTER PLATING	DRAWN BY: TIM RAU	DATE: 2/7/96	FIRST USED ON:	DO NOT SCALE DWG.	CUSTOMER APPROVAL:
The information and design disclosed herein was originated by and is the property of STACO ENERGY PRODUCTS CO., which reserves all patent, proprietary, design, manufacturing, reproduction, use and sale rights thereto, and to any article disclosed therein except to the extent rights are expressly granted to others. The foregoing does not apply to vendor proprietary parts.		CHECKER:	DATE:	WEIGHT APPROX.	CODE IDENT. NO. 83008	DWG. NO. 031-3613
		ENGINEER:	DATE:	SCALE .5=1	SHEET 1 OF 1	