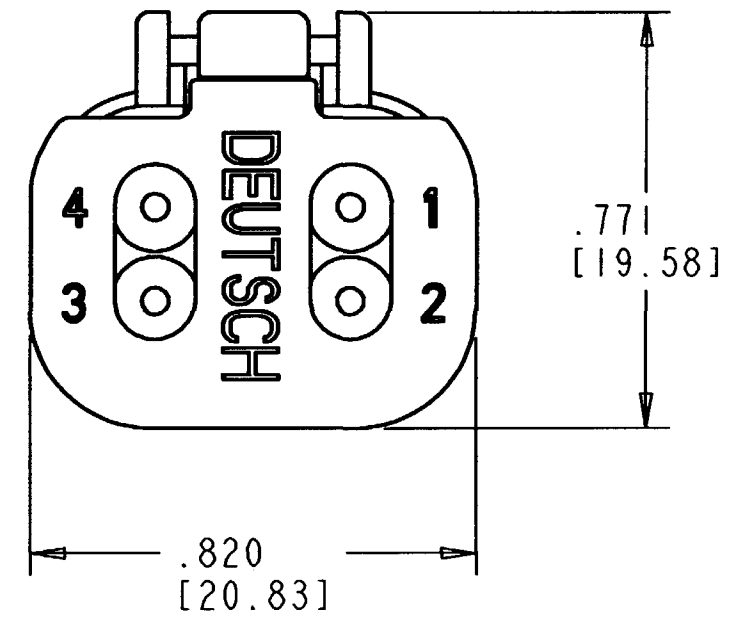
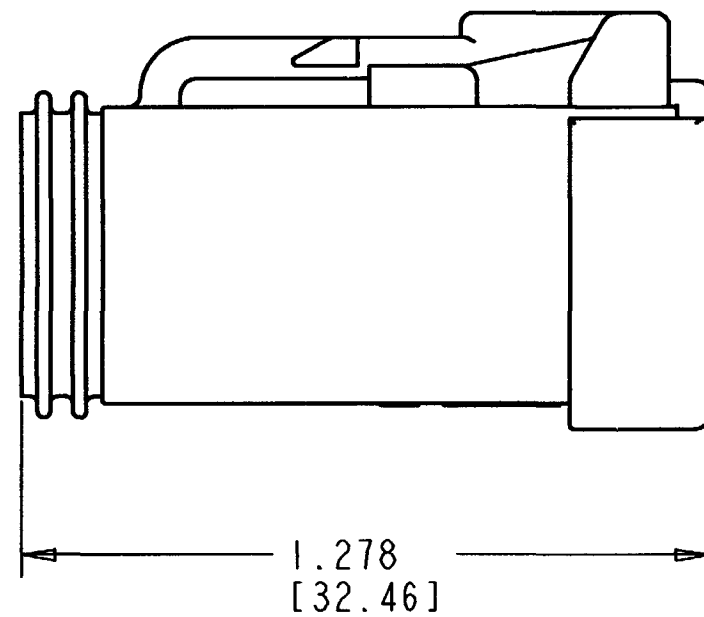
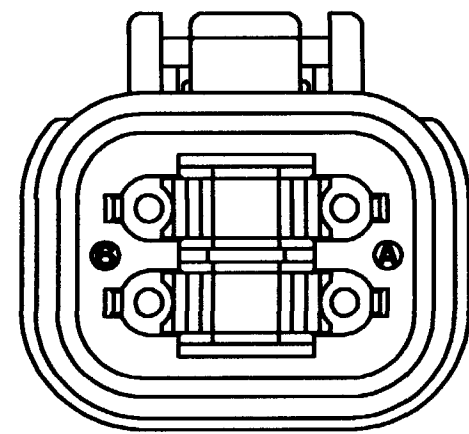


REV A	DT06-4S-E003	REVISIONS		
SYM	DESCRIPTION	DATE	APPROVED	
NC	NEW RELEASE PER E.O. A09342	9/6/90	J.A.	
A	REVISED PER E.O. P19719	1-22-08	<i>RDR</i>	



5. MATERIAL - HOUSING: PLASTIC; SEAL: RUBBER  
COLOR: GRAY
4. THIS PLUG MATES WITH DT04-4P-\*\*\*\* (\*\*\*\* = ALL MODIFICATIONS)  
CONSULT FACTORY FOR MODIFICATIONS.
3. FOR CONTACTS AND WIRE PERFORMANCE AND APPLICATION  
CHARACTERISTICS SEE ENVELOPE DRAWING 0425-015-0000  
AND 0425-017-0000.
2. DIMENSIONS ARE  $\pm .025$  [.64] UNLESS OTHERWISE SPECIFIED.
1. ALL DIMENSIONS ARE IN INCHES [MILLIMETERS].
- NOTES:

SIGNATURE & DATE		4 WAY PLUG E003 MOD DT SERIES	EP	MATL. CODE
DR	<i>C. WOODRUFF 04SEP90</i>		3850 INDUSTRIAL AVE. HEMET, CA 92545	
CHK	<i>R. Meyer 1/22/08</i>		<b>DEUTSCH</b> INDUSTRIAL	
PE	<i>R. Meyer 1/21/08</i>		<b>B</b> DT06-4S-E003	
APPD	<i>Spauldi-21-08</i>	ENVELOPE	DWG SIZE	CODE 11139
SCALE	NONE	WT	SHEET	OF