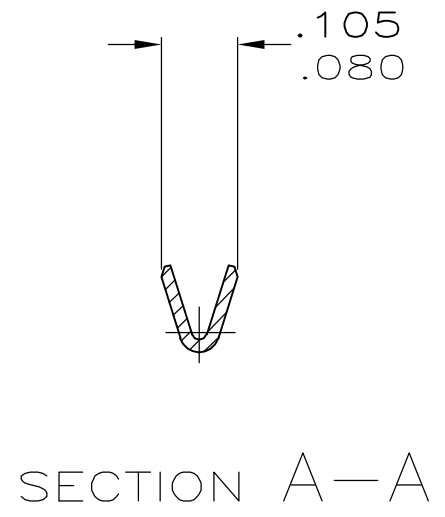
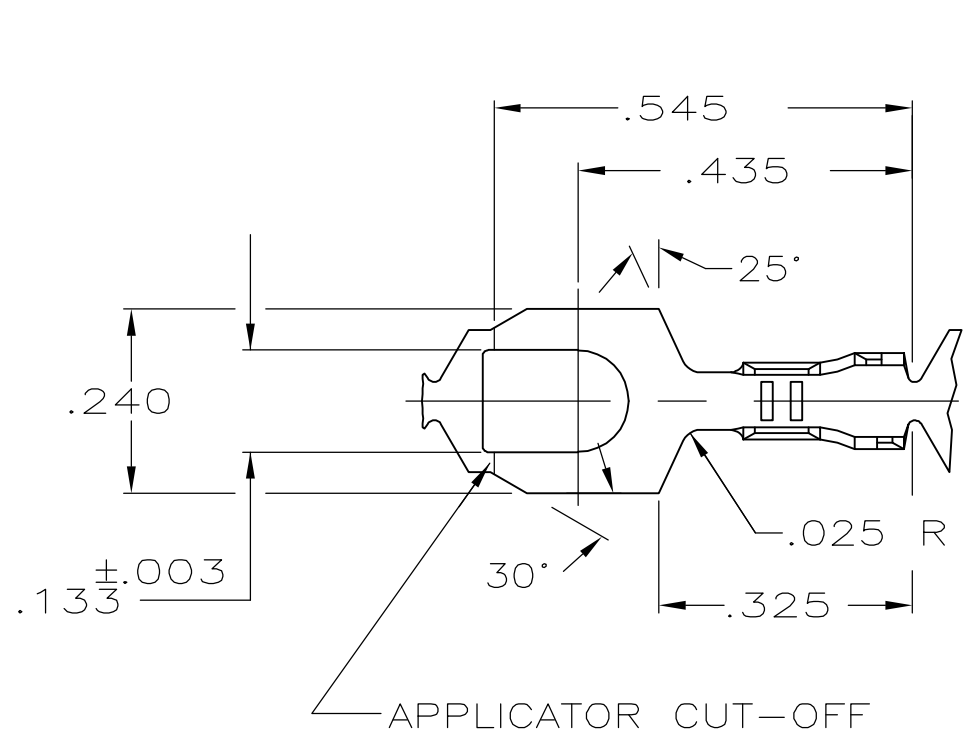
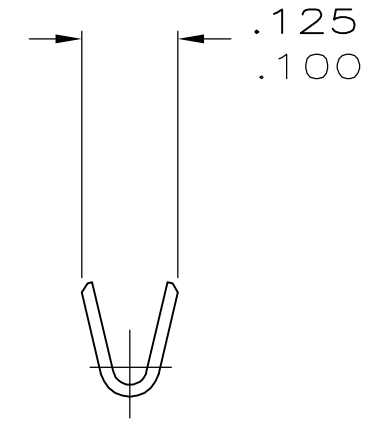
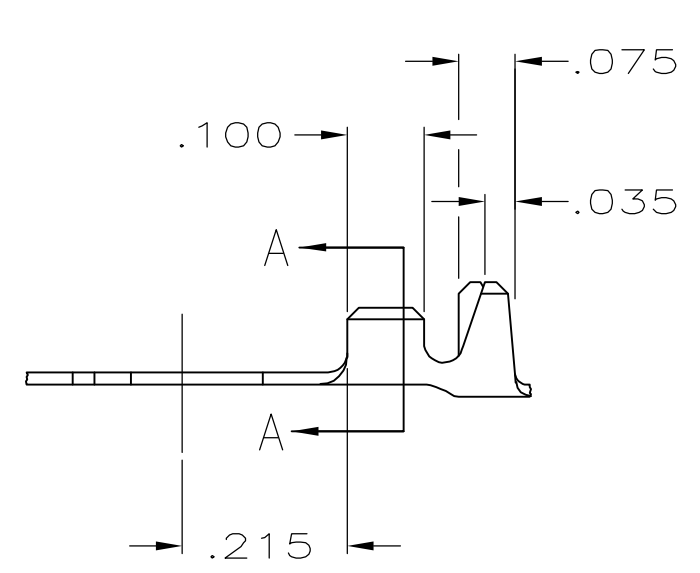


THIS DRAWING IS UNPUBLISHED. RELEASED FOR PUBLICATION
 © COPYRIGHT BY TYCO ELECTRONICS CORPORATION. ALL RIGHTS RESERVED.

LOC	DIST	REVISIONS			
P	LTR	DESCRIPTION	DATE	DWN	APVD
AF	50	H	REVISED PER 0G1A-0454-98	08AUG05	MF DD



- 1 CONTINUOUS STRIP ON REELS.
- 2 WIRE RANGE: #28-#22 AWG.
- 3 INSULATION RANGE: .035-.045 DIA.



NONE	350502-2
PRE-TIN	350502-1
FINISH	PART NUMBER

THIS DRAWING IS A CONTROLLED DOCUMENT.		DWN M.S. FEHER 08AUG2005	Tyco Electronics Corporation Harrisburg, Pa 17105-3608	
DIMENSIONS: INCHES		CHK D.F. DECKER 08AUG2005		
		APVD D.F. DECKER 08AUG2005	NAME SPADE	
TOLERANCES UNLESS OTHERWISE SPECIFIED:		PRODUCT SPEC	-	
0 PLC ± -		APPLICATION SPEC	-	
1 PLC ± -		WEIGHT	-	
2 PLC ± -		SIZE	A3	RESTRICTED TO
3 PLC ± .015		CAGE CODE	00779	-
4 PLC ± -		DRAWING NO	C-350502	
ANGLES ± -		FINISH	SEE TABLE	SCALE
MATERIAL .016 BRASS		CUSTOMER DRAWING	SCALE	SHEET 1 OF 1
				REV H