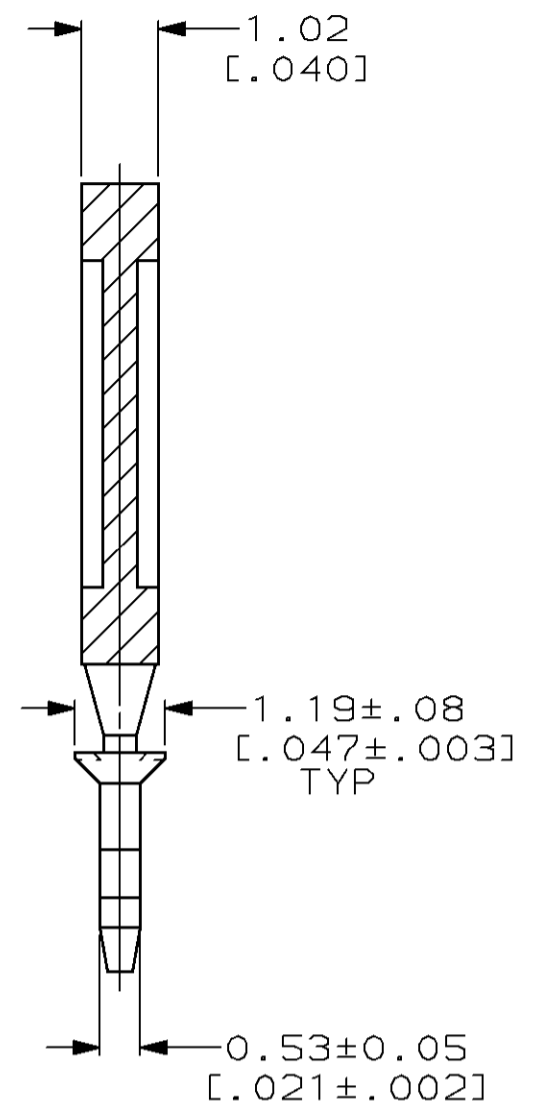
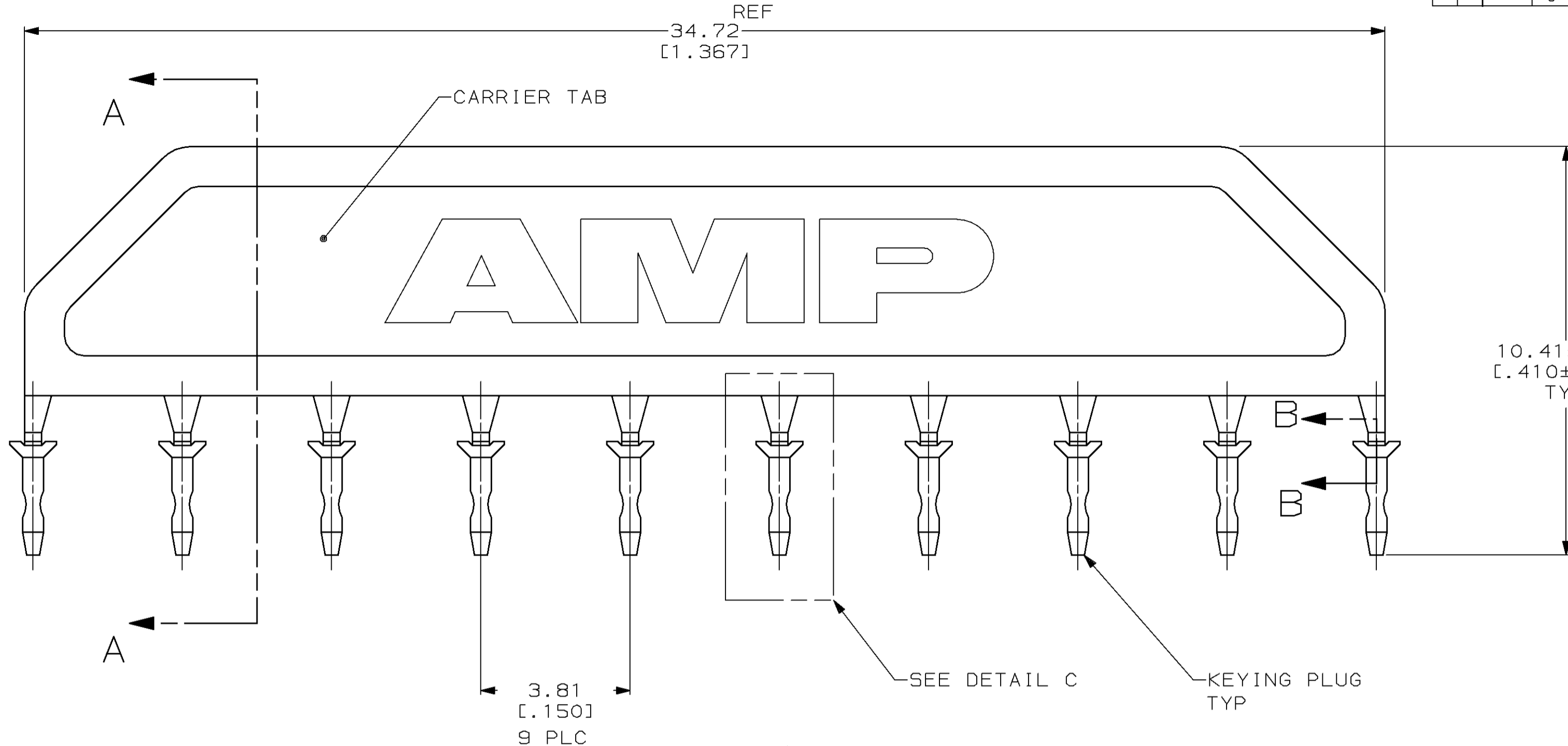
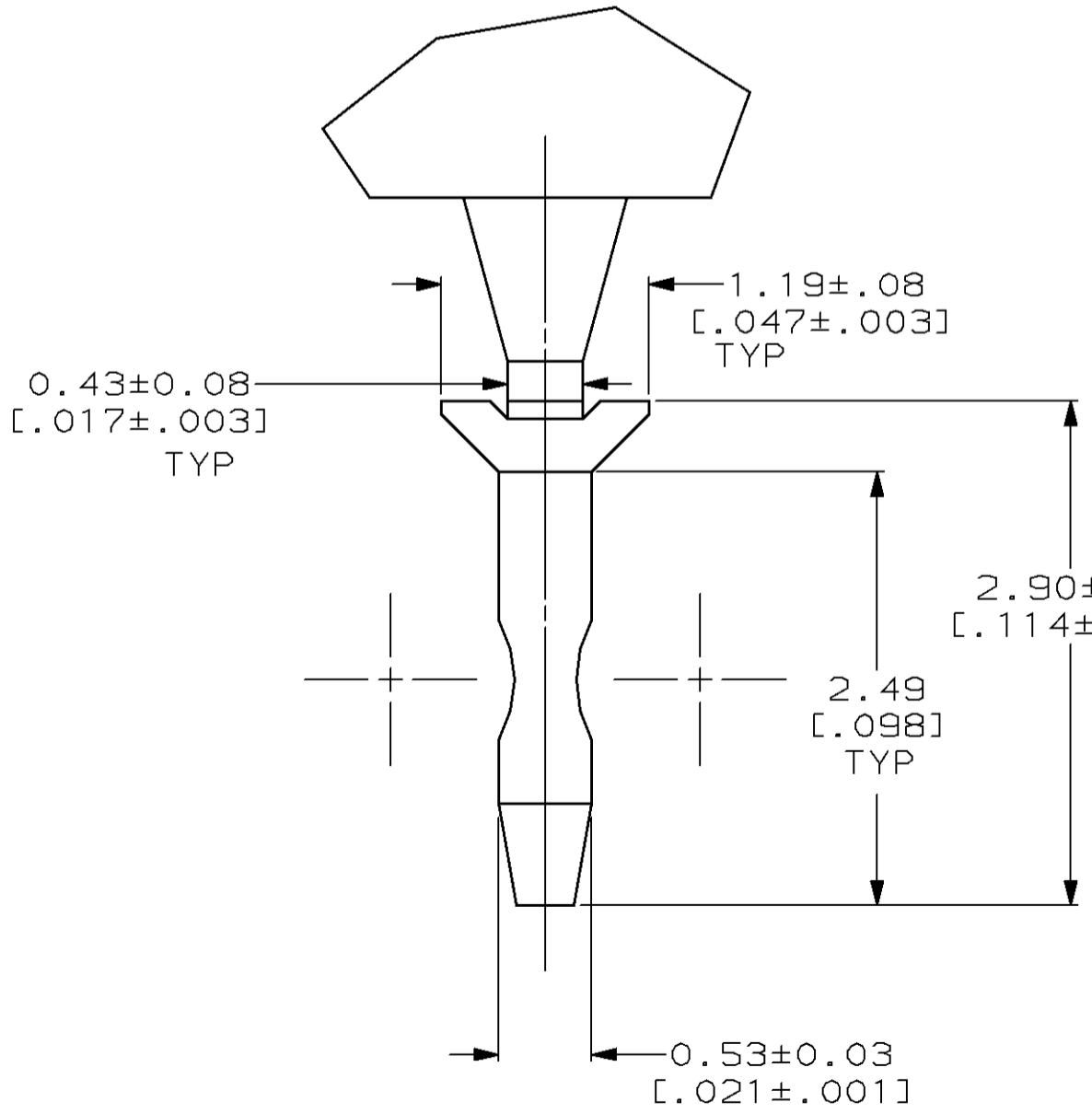


THIS DRAWING IS UNPUBLISHED. RELEASED FOR PUBLICATION, 19 .
 © COPYRIGHT 19 BY AMP INCORPORATED. ALL INTERNATIONAL RIGHTS RESERVED.

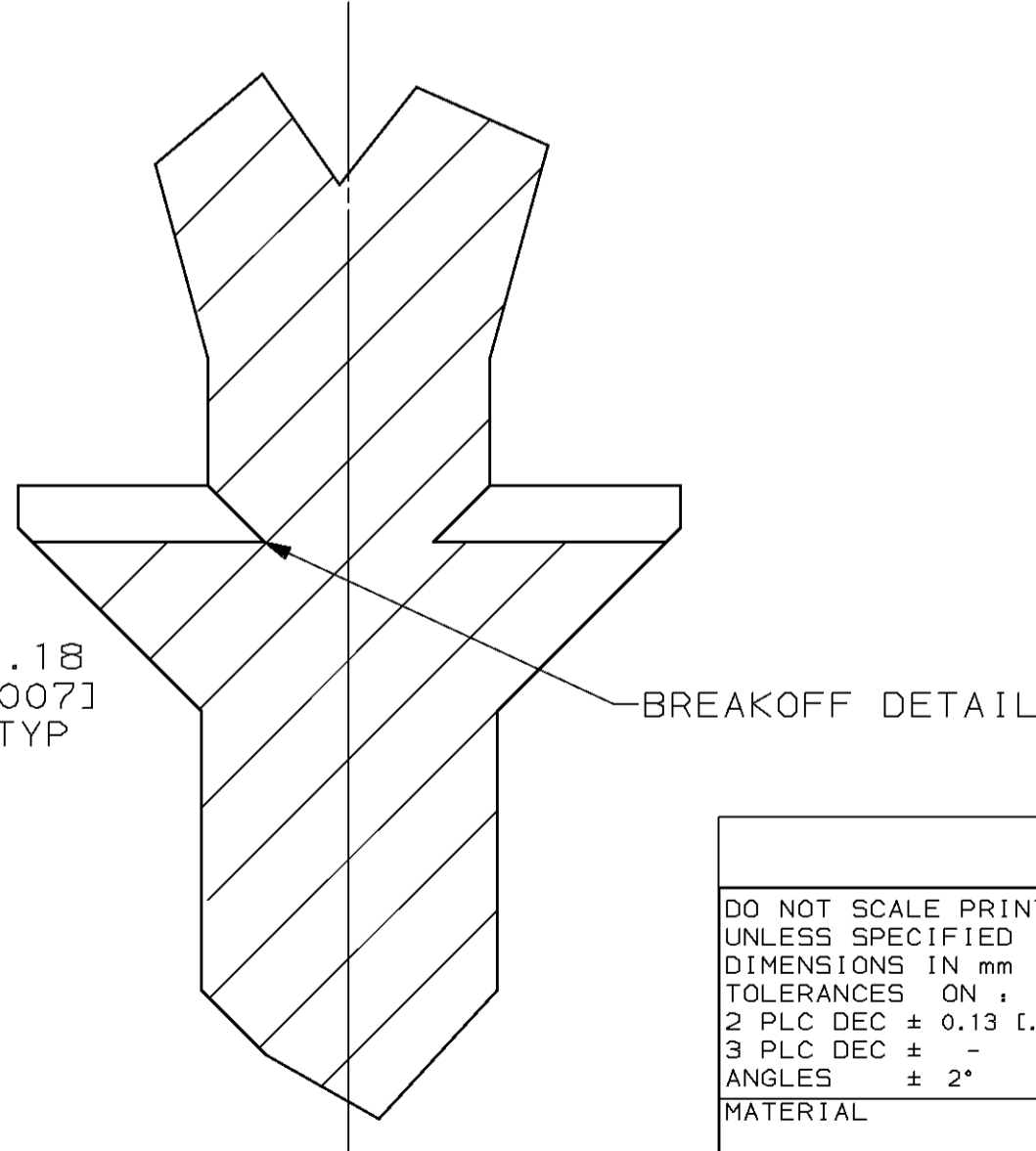
LOC	DIST	P	F	ZONE	LTR	DESCRIPTION	DATE	APPD
AR	35				B	REV PER ECN BD6220	05/15/92	RL
					C	REV PER EC 0020-280-94	05/03/94	AM



SECTION A-A



DETAIL C
 SCALE 25:1



SECTION B-B
 SCALE 75:1

DO NOT SCALE PRINT. UNLESS SPECIFIED. DIMENSIONS IN mm [INCHES]. TOLERANCES ON: 2 PLC DEC ± 0.13 [0.005]; 3 PLC DEC ± -; ANGLES ± 2°.		DR 02-21-92 C.OBERMAN		111620-1	
MATERIAL: POLYESTER, BLACK		CHK 03-3-92 R.STONE		PART NO	
FINISH: -		APPD 03-3-92 R.LOCATI		AMP AMP Incorporated Harrisburg, PA 17105-3608	
APPLICATION SPEC: -		APPD 03-3-92 D.HOFFMAN		NAME: KEYING PLUG, 2mm AMP-LATCH™	
WEIGHT: -		SIZE: C	CAGE CODE: 00779	DRAWING NO: 111620	
		SCALE: 10:1		SHEET: 1 OF 1	