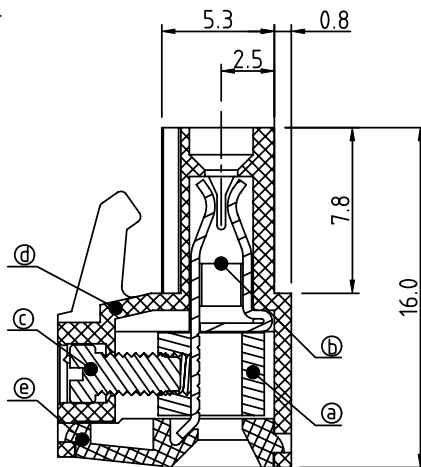
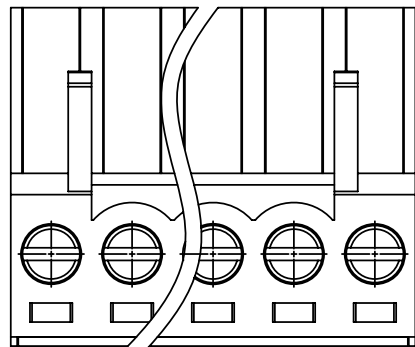
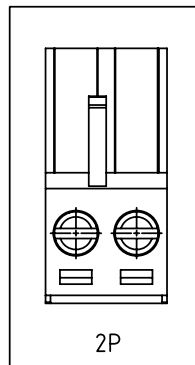
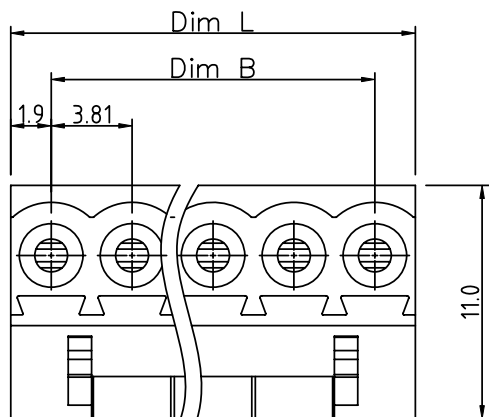


PRODUCT NUMBER	PITCH
VDxx31x000JOG	3.81 mm



Material

- Item Ⓐ Clamp: Brass (CuZn) Ni plated
- Item Ⓑ Female contact :PhBz(CuSn) Tin plated
- Item Ⓒ Terminal screw:Steel Zinc plating"-slot type
- Item Ⓓ Terminal (housing):Thermoplastic (UL94V-0)
- Item Ⓔ Terminal cover:Thermoplastic (UL94V-0)

Electrical cULus

- Voltage rating:300V
- Current rating:8A
- Wire range:
- Solid wire(AWG):16-28
- Stranded wire(AWG):16-28
- Torque(Lb-In):1.7
- Screw:M2
- Wire strip length:6-7mm
- Withstanding Voltage:1.6KV
- Operating temperature:-40°C to +115°C
- Safety Approval:

N=NUMBER OF POLES

Dim L=N×3.81
Dim B=(N-1)×3.81

POLES	Tolerance
2P-5P	±0.15
6P-10P	±0.20
11P-15P	±0.25
16P-20P	±0.30
21P-24P	±0.35

PART NO.: VD xx 31 x 0 00J0 G

Solid block	No. of poles	Color	RoHS compliant (lead<4% In copper Alloy)
0	2	Black (RAL9005)	
02	3	Red (RAL3001/D)	
03	4	Orange(RAL2011/P)	
...	...	5 Green(RAL6018/T)	
24	6	Blue (RAL5015/A)	
	8	Grey(RAL7035/D)	
	9	White(RAL1102)	
	C	Green(RAL6018/U)	

mat'l. code		surface ASME Y14.5 ✓	tolerance ASME Y14.5	projection	product family
ltr ecn no dr date		tolerances unless otherwise specified			TERMINAL BLOCK
angles		X.±0.5	X.X±0.3	MM	title
X*±1°		X.XX±0.1		scale	TERMINAL BLOCK PLUGGABLE PLUG,WITHOUT FLANGE
dr		EVIN ZHONG	041714		dwg no
enr		EVIN ZHONG	041714		sheet 1 of 1
chr		HANKE FENG	041714		size
appd		SHI JUN	041714		VDxx31x000JOG
sheet index		revision	A	type	
1		1		CUSTOMER Drawing	