

REMARK:

1.CHARACTERISTICS:

RATED VOLTAGE: 250V  
 RATED CURRENT: 5AMP  
 CONTACT RESISTANCE: 25mohms MAX.INITIAL;40mohmsMAX.AFTER.  
 INSULATION RESISTANCE: 5000Mohms MIN.at 500V DC  
 DIELECTRIC STRENGTH: 1000Vrms  
 OPERATING TEMPERATURE RANGE: -55°C~105°C  
 INSERTION/EXTRACTION FORCE PER CONTACT :5N Max./0.3N Min.  
 MATING/UNMATING CYCLES :50MATINGS MIN.

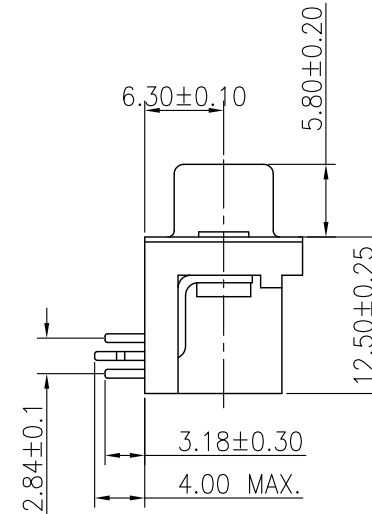
2.MATERIAL:

INSULATORS: GLASS-FILLED THERMOPLASTIC UL94V-0, COLOR IN BLACK.  
 CONTACTS: COPPER ALLOY, SELECTIVE GOLD ON CONTACT AREA,  
 100u" Min MATTE TIN TOP OVER SOLDER AREA,  
 30u" Min NICKEL UNDER PLATE.  
 SHELL: STEEL,100u" Min NICKEL TOP OVER,  
 50u" Min COPPER UNDER PLATE.  
 BOARD LOCK :COPPER ALLOY ,100u" Min MATTE TIN PLATED.

3. PART NUMBER DESCRIPTION:

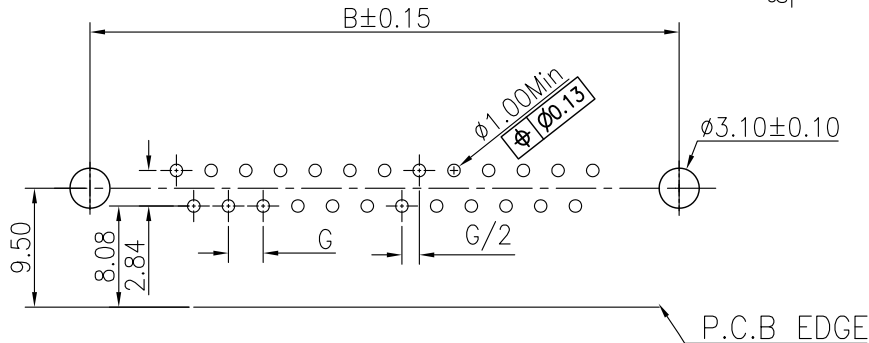
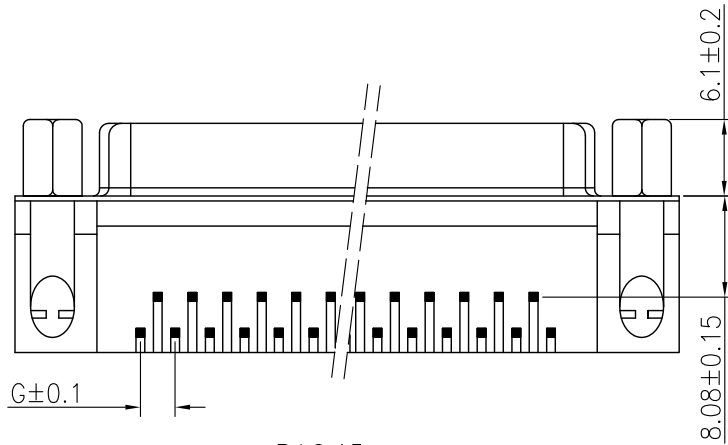
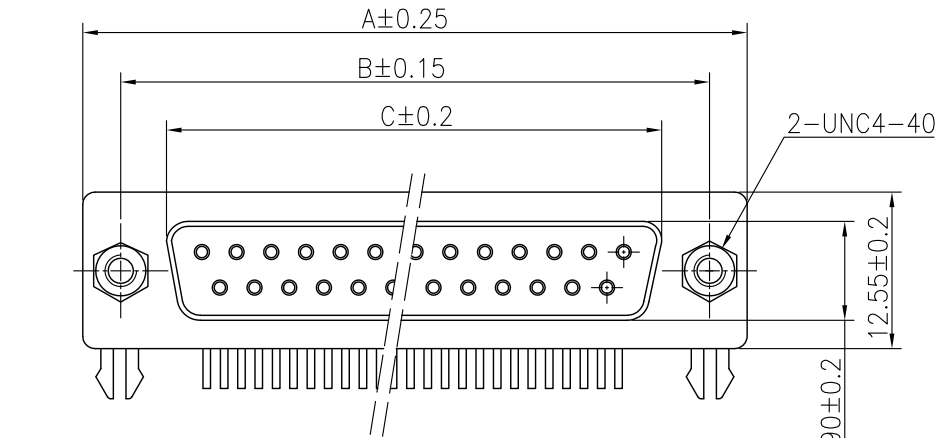
**10090099-S XX X X LF**

SERIES NO. \_\_\_\_\_ LF: ROHS COMPLIANT  
 TYPE \_\_\_\_\_ FLANGE MOUNTING OPTION  
 S: SOCKET (FEMALE) X: UNC #4-40 CLINCHNUTS  
 L: M3 CLINCHNUTS  
 NUMBER OF CONTACTS \_\_\_\_\_ CONTACT FINISH  
 09: 9-PIN 4: GOLD FLASH  
 15: 15-PIN 6: 30u" PLATING OPTION  
 25: 25-PIN AVAILABLE ON REQUEST  
 37: 37-PIN

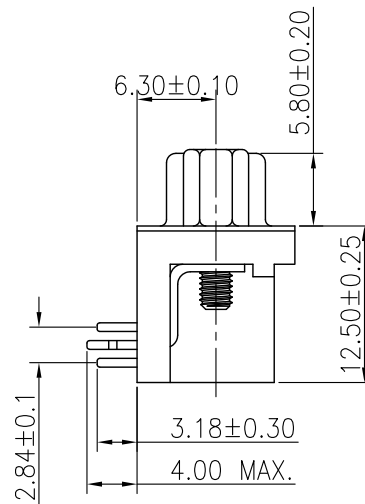


POS.	PART NO.	THREAD TYPE		
09P	10090099-S09*LLF	M3X0.5		
15P	10090099-S15*LLF	M3X0.5		
25P	10090099-S25*LLF	M3X0.5		
37P	10090099-S37*LLF	M3X0.5		
09P	10090099-S09*XLf	UNC 4-40		
15P	10090099-S15*XLf	UNC 4-40		
25P	10090099-S25*XLf	UNC 4-40		
37P	10090099-S37*XLf	UNC 4-40		
POS.	A	B	C	G
09P	30.81	24.99	16.33	2.74
15P	39.24	33.32	24.66	2.74
25P	53.04	47.04	38.38	2.77
37P	69.32	63.50	54.84	2.77

mat'l. code				tolerances unless otherwise specified		CUSTOMER COPY		FCI	
ltr	ecn no	dr	date	linear	.X ± 0.38	projection	title	www.fciconnect.com	
A	T09-1033	J.H	3/12/09		.XX ± 0.25		D-SUB FEMALE RIGHT-ANGLE US STYLE		
B	T09-1044	J.H	4/2/09	angles	.XXX ± 0.10				
C	ELX-I-13433	AB	9/11/12		0' ± 2'		product family D-SUB	code	
				dr	JASON HSU 3/12/09			size	dwg no
				enr	JASON HSU 3/12/09	scale			
				chr	ALIAS BABU 9/11/12	1:1	A4	10090099	sheet
				appd	MITHUN PAUL 9/11/12				1 of 2
sheet index	revision sheet	C	C						
		1	2						



P.C.B LAYOUT  
t: 1.6±0.1MM



REMARK:

1.CHARACTERISTICS:

RATED VOLTAGE: 250V  
RATED CURRENT: 5AMP  
CONTACT RESISTANCE: 25mohms MAX.INITIAL ;40mohms MAX.AFTER  
INSULATION RESISTANCE: 5000Mohms MIN.at 500V DC  
DIELECTRIC STRENGTH: 1000VRMS  
OPERATING TEMPERATURE RANGE: -55°C~105°C  
INSERTION/EXTRACTION FORCE PER CONTACT: 5N Max./0.3N Min.  
MATING/UNMATING CYCLES :50MATINGS MIN.

2.MATERIAL:

INSULATORS: GLASS-FILLED THERMOPLASTIC UL94V-0, COLOR IN BLACK.  
CONTACTS: COPPER ALLOY,SELECTIVE GOLD ON CONTACT AREA,  
100u" Min MATTE TIN TOP OVER SOLDER AREA,  
30u" Min NICKEL UNDER PLATE.  
SHELL: STEEL,100u" Min NICKEL TOP OVER,  
50u" Min COPPER UNDER PLATE.  
BOARD LOCK :COPPER ALLOY,100u" Min MATTE TIN PLATED.  
SCREW LOCK: COPPER ALLOY, 100u" Min BRIGHT NICKEL PLATED.

3. PART NUMBER DESCRIPTION:

10090099-S XX X X LF  
SERIES NO. TYPE NUMBER OF CONTACTS  
S: SOCKET (FEMALE)  
09: 9-PIN  
15: 15-PIN  
25: 25-PIN  
37: 37-PIN  
LF: ROHS COMPLIANT  
FLANGE MOUNTING OPTION  
V: UNC #4-40 SCREWLOCKS  
CONTACT FINISH  
4: FLASH GOLD  
6: 30u" PLATING OPTION AVAILABLE ON REQUEST

POS.	PART NO.	A	B	C	G
09P	10090099-S09*VLF	30.81	24.99	16.33	2.74
15P	10090099-S15*VLF	39.24	33.32	24.66	2.74
25P	10090099-S25*VLF	53.04	47.04	38.38	2.77
37P	10090099-S37*VLF	69.32	63.50	54.84	2.77

mat'l. code				tolerances unless otherwise specified			CUSTOMER COPY		FCI		
ltr	ecn no	dr	date	linear	.X ± 0.38	projection	title		www.fciconnect.com		
C					.XX ± 0.25		D-SUB FEMALE RIGHT-ANGLE US STYLE		product family D-SUB code TWN		
				angles	.XXX ± 0.10						
					0° ±2°		MM		size 10090099 sheet 2 of 2		
				dr	JASON HSU 3/12/09						
				enr	JASON HSU 3/12/09	scale	A4				
				chr	ALIAS BABU 9/11/12	1:1					
				appd	MITHUN PAUL 9/11/12						
sheet index	revision sheet										