



JM Badge Board

User's Manual

Rev. F

Contents

1 Purpose	3
2 Related Documents	3
3 Hardware Overview	3
3.1 MCF51JM128 Microcontroller	4
3.2 Power Supply	5
3.2.1 Li-Ion Battery	6
3.2.2 USB VBUS	6
3.3 System Clocks	7
3.4 USB Interface	7
3.5 LED Matrix Display	7
3.6 Proximity Capacitive Touch Sensor	8
3.7 Three-axis Accelerometer	8
3.8 Expansion Connector	8
3.9 Debug Interface	9
4 Software Overview	9
4.1 Using the Badge	10
4.1.1 Unlock the Badge	10
4.1.2 Sleep Mode	10
4.1.3 USB Mode	10
4.1.4 Recharging the Battery	10
4.2 Demo Software	10
4.2.1 Badge Board Applications	11
4.2.2 USB Applications	12
4.3 Bootloader	13
4.3.1 Obtaining the S19 file	13
4.3.2 Using the Bootloader	14
4.4 Creating an Application for the Badge	15
4.4.1 Software Requirements	15
4.4.2 Loading Application onto Badge Board	15
4.4.3 Initialization code	16
4.4.4 Useful Information	16
5 Schematics	17

1 Purpose

This document provides design and usage information for the Freescale JM Badge Board. This demonstration and evaluation board features a MCF51JM128 ColdFire® V1 microcontroller, a MPR083/4 proximity capacitive touch sensor, a MMA7260QT three-axis accelerometer, and a MC34673 Li-Ion battery charger.

2 Related Documents

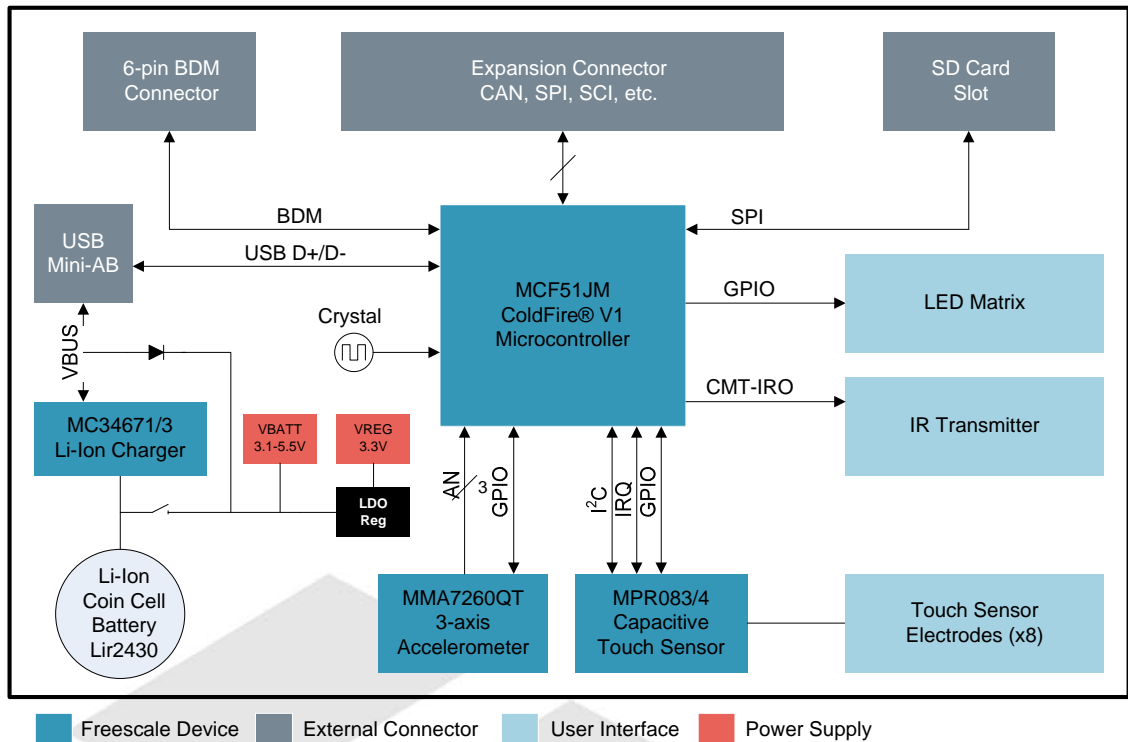
The documents listed below should be referenced for more information when developing with the JM Badge Board.

- [MCF51JM128RM](#) – Microcontroller Reference Manual
- [MCF51JM128](#) – Microcontroller Data Sheet
- [MPR083](#) – Proximity Capacitive Touch Sensor Controller Data Sheet
- [MPR084](#) – Proximity Capacitive Touch Sensor Controller Data Sheet
- [MMA7260QT](#) – Three Axis Low-g Accelerometer Data Sheet
- [MC34673](#) – Li-Ion Battery Charger Data Sheet

3 Hardware Overview

0 below shows a high-level block diagram of the system. The major features of the JM Badge Board include:

- ColdFire V1 microcontroller
- Powered by USB or rechargeable battery
- USB device interface
- Three-axis accelerometer
- Capacitive touch sensor with 8 touch points
- LED matrix display
- SD card slot
- Magnetic Buzzer



JM Badge Board Block Diagram

Note

The touch sensor featured on the JM Badge Board varies by revision. The revision is marked on each board at the bottom of the back (component) side. This change requires different firmware drivers. Take care to select the correct software when downloading from the [Can Your Badge Do This?](http://www.freescale.com/can-your-badge-do-this/) website.

3.1 MCF51JM128 Microcontroller

The MCF51JM128 in a 64-pin LQFP package is the host controller for the JM Badge Board. The MCF51JM devices are the newest members of the Flexis family. These devices are pin, peripheral, and toolset compatible with the S08JM family. Figure 1 show a top-level block diagram of the MCF51JM family of microcontrollers. The following is a summary of features of the MCF51JM128.

- Up to 50.33 MHz ColdFire V1 core
- 128K flash
- 16K RAM
- Four low-power modes
- Multi-purpose clock generator (MCG)
- Dual-role Full-speed USB Controller and transceiver
- Controller Area Network (CAN)

- Two serial communications interfaces (SCI)
- Two serial peripheral interfaces (SPI)
- Cryptographic acceleration unit (CAU)
- Random number generator accelerator (RNGA)
- Analog comparators
- Analog-to-digital converter (ADC)
- Two I²C interfaces
- Carrier modulation timer (CMT)
- Two timer modules (TPM)
- Up to 66 GPIOs and 16 Rapid GPIOs

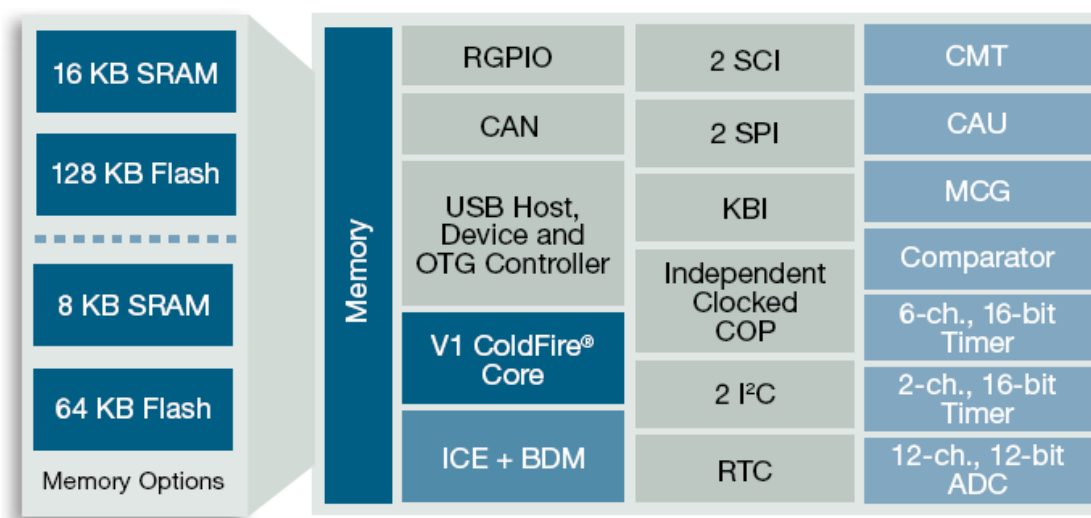


Figure 1. MCF51JM Block Diagram

3.2 Power Supply

The JM Badge Board can be powered by a rechargeable Li-Ion battery or the USB interface. The typical voltage supply range of a Li-ion battery is 3.1-4.2V. The USB VBUS supply is 5V +/- 5%. In order to accommodate the operating voltage of all the devices on the JM Badge Board (refer to Table 1 below), a low-dropout (LDO) regulator is used to maintain a 3.3V operating voltage.

Table 1. Voltage Supply Requirements

Device	Voltage	Notes
MCF51JM	2.7V – 5.5V	When internal USB regulator is off.
	3.9V – 5.5V	When internal USB regulator is on.
MMA7260QT	2.2V – 3.6V	
MPR083/4	1.8V – 3.6V	

3.2.1 Li-Ion Battery

The JM Badge Board is equipped with a rechargeable Lithium-ion battery, LIR2430. The typical specifications for the battery are shown in Table 2 below. The typical charge and discharge voltage vs. capacity graph is shown in below.

Table 2. Typical LIR2430 Battery Specifications

Specification	Value
Capacity	65mAh
Nominal Voltage	3.7V
Max. Discharge Current	110mA
Max. Charge Current	55mA

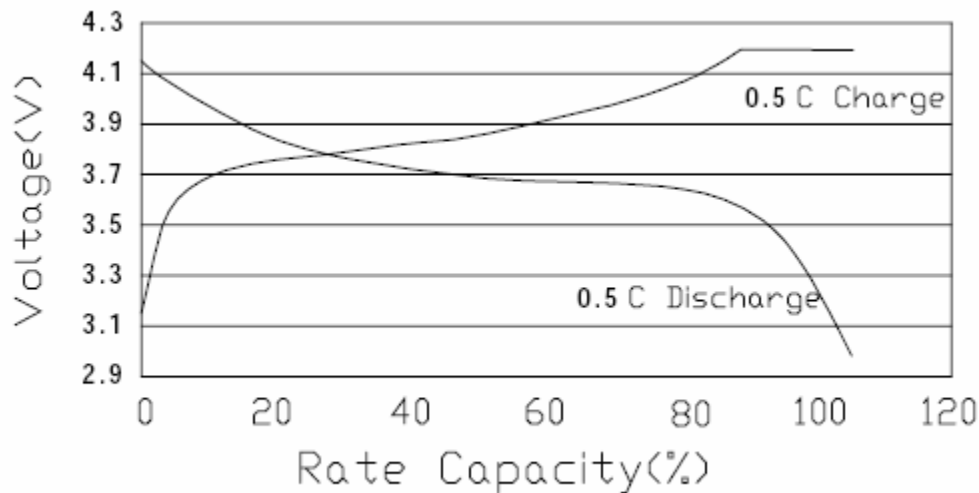


Figure 2. LIR2430 Voltage vs. Capacity

The ON/OFF switch, *SW1*, can be used to isolate the battery from all circuitry except the MC34673 charger. While in the OFF position, the JM Badge Board will not be able to run from the battery, but the board can still be powered from the USB interface.

3.2.2 USB VBUS

A hardware-triggered switch (MOSFET transistor and isolation diode) will automatically switch the system power source from the battery to the USB when power is applied to the VBUS pin on the USB mini-AB connector. The MC34673 charger IC monitors the USB VBUS supply. Once power is detected on this line, the /PPR signal is asserted informing the MCF51JM MCU that a USB power source is present. The MCF51JM can then enable the battery charger and monitor the charging status.

Table 3. Battery Charger Interface Signals

MC34673 Signal	MCF51JM Signal
/PPR – Power Present	PTG1
/EN - Enable	PTG2
/CHG - Charging	PTG0

3.3 System Clocks

The JM Badge Board provides a 12MHz crystal to the MCF51JM device. This option is required to achieve the 48 MHz system clock needed by the USB controller interface. When the USB is not operational, the MCF51JM can also operate from its internal reference.

3.4 USB Interface

The MCF51JM features a full-speed USB dual-role controller with on-chip transceiver. The JM Badge Board is equipped with a mini-AB USB connector wired for a USB device interface.

3.5 LED Matrix Display

A simple matrix of LEDs is provided as a display interface. MCF51JM GPIO signals are used to control the 5 x 16 matrix of LEDs. The connection diagram and pin connection table are shown below.

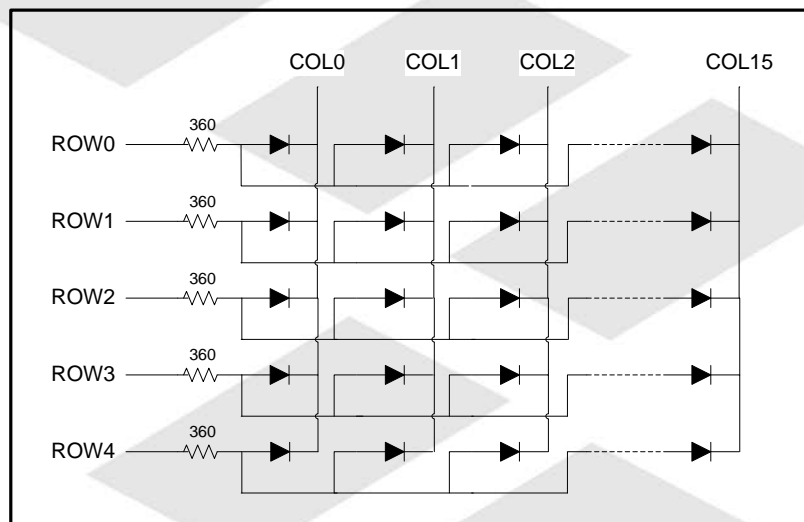


Figure 3. LED Matrix Connection Diagram

Table 4. LED Matrix to MCU Port Pin Mapping

Row	MCU Port Pin	Column	MCU Port Pin	Column	MCU Port Pin
ROW0	PTA0	COL0	PTE0	COL8	PTD0
ROW1	PTA1	COL1	PTE1	COL9	PTD1
ROW2	PTA2	COL2	PTE2	COL10	PTD2
ROW3	PTA3	COL3	PTE3	COL11	PTD3
ROW4	PTA4	COL4	PTE4	COL12	PTD4
		COL5	PTE5	COL13	PTD5
		COL6	PTE6	COL14	PTD6
		COL7	PTE7	COL15	PTD7

3.6 Proximity Capacitive Touch Sensor

Eight touch sensitive electrodes provide the primary user interface on the JM Badge Board. Revision B of the board features a MPR083, while later revisions feature a MPR084. These touch sensors detects capacitance changes on the eight electrodes and provides touch information to the MCU via the I²C bus.

Note

The touch sensor featured on the JM Badge Board varies by revision. The revision is marked on each board at the bottom of the back (component) side. This change requires different firmware drivers. Take care to select the correct software when downloading from the [Can Your Badge Do This?](#) website.

3.7 Three-axis Accelerometer

A MMA7260QT three-axis, low-g accelerometer is featured on the JM Badge Board. Each axis has a dedicated analog output that is connected to an ADC channel on the MCF51JM.

3.8 Expansion Connector

An unpopulated 30x2, 100 mil, through-hole header allows access to most MCF51JM signals for probing and expansion. The header pinout and dimensions match that of the MCU_PORT on the DEMOJM baseboard. The table below provides the pinout information.

Table 5. MCU_PORT Pin Assignment

Connection	Pin	Connection
VREG	1	IRQ/TPMCLK
GND	3	RESET
PTE0/TXD1	5	BKGD/MS
PTE1/RXD1	7	VUSB33
PTG0/KBIP0	9	PTB0/MISO2/ADP0
PTG1/KBIP1	11	PTB1/MOSI2/ADP1
PTE2/TPM1CHO	13	PTB2/SPSCK2/ADP2

PTE3/TPM1CH1	15	16	PTB3/SS2/ADP3
PTE5/MOSI1	17	18	PTB4/KBIP4/ADP4
PTE4/MISO1	19	20	PTB5/KBIP5/ADP5
PTE6/SPSCK1	21	22	PTB6/ADP6
PTE7/SS1	23	24	PTB7/ADP7
PTF0/TPM1CH2	25	26	PTC0/SCL
PTF1/TPM1CH3	27	28	PTC1/SDA
PTF2/TPM1CH4	29	30	PTG2/KBIP6
PTF3/TPM1CH5	31	32	PTG3/KBIP7
VREFH	33	34	PTF4/TPM2CH0
VREFL	35	36	PTF5/TPM2CH1
PTD0/ADP8/ACMP+	37	38	PTC5/RxD2
PTD1/ADP9/ACMP-	39	40	PTC3/TxD2
PTD2/KBIP2/ACMPO	41	42	PTG4/XTAL
PTD3/KBIP3/ADP10	43	44	PTG5/EXTAL
PTD4/ADP11	45	46	PTA0
PTD5	47	48	PTA1
PTD6	49	50	PTA2
PTD7	51	52	PTA3
PTC2	53	54	PTA4
PTC4	55	56	PTA5
PTC6	57	58	PTF6
–	59	60	PTF7

3.9 Debug Interface

The standard 6-pin (2x3, 100 mil) ColdFire V1 BDM interface header is available but not populated. The pinout is shown below.

Table 6. BDM Connector

Pin	Connection	Note
1	BKGD/MS	Pulled up to VBATT via 4.7K ohm
2	GND	
3	–	
4	RESET	Pulled up to VBATT via 4.7K ohm
5	–	
6	VBATT	

4 Software Overview

The JM Badge Board has been loaded with a demo applications and a USB bootloader that will enumerate as a USB mass storage device. The following sections provide more information on the usage of the demo and bootloader and how to create custom applications.

4.1 Using the Badge

To start using the badge, move the switch, *SW1*, to the “On” position. A message will start scrolling across the LED matrix. This message can be edited by using the Message Edit application described in Section 4.2.1.1.

4.1.1 Unlock the Badge

To start using the demo applications on your badge, “unlock” it by sliding your finger down the left hand side buttons from E1 down to E4.

Make sure your finger makes good contact with each button to ensure it is detected. Then press the button of the desired application. See Section 4.2.1 for more information on the different applications available.

4.1.2 Sleep Mode

After a prolonged period of inactivity, the badge will go into a sleep mode to conserve power. During this mode, a single LED will flash on and off. Press and hold any button on the badge to wake it up.

4.1.3 USB Mode

Connect the badge to a computer via the included USB cable to use the bootloader or USB demos. Upon connection to the computer, a message stating “Press E4 for bootloader” will scroll by. Press E4 to launch the bootloader. See Section 4.3 for more information on using the bootloader. Press any other key or wait for the message to scroll past to launch the USB demos. See Section 4.2.2 for more information.

Anytime the board is connected to a USB Host, it will be recharging the battery.

4.1.4 Recharging the Battery

The badge board uses a rechargeable Lithium-Ion battery for its power source. The battery will last about 24 hours while continuously scrolling an LED message. It is recommended to recharge it each night to ensure it will work the entire next day.

The battery can be recharged by connecting it to a computer USB port. While the battery is charging, the single LED on the far left side of the badge will be red. When the battery is fully charged, the LED will turn green

4.2 Demo Software

The badge board comes with some default demo programs. More applications can be downloaded by registering at the *Can Your Badge Do This?* website (<http://www.canyourbadgedothis.com>).

The applications can be divided up into two types: Those that can be run using only the badge board, and those that only run when connected via the USB cable to a USB Host.

4.2.1 Badge Board Applications

These applications are only available when the badge is not connected to a USB source.

After unlocking the board (see Section 4.1.1), “Demos” will scroll across the screen. Press the associated button to access that particular application. If you do not have that application, it will go back to the default scrolling message screen.

4.2.1.1 Message Edit (Button E1)

Enter your customized message by using:

- E1 to scroll through characters
- E2 to scroll through characters in the reverse direction
- E3 to toggle caps lock (only affects A-Z characters)
- E5 to select a character
- E6 to delete the last character

When finished, you may:

- Press E8 to save your custom message and exit the Message Edit application
- Press E4 to exit without saving

The characters scroll through A-Z, then special symbols, then numbers 0-9, and finally “space”.

4.2.1.2 Scroll Speed (Button E2)

Change the speed at which the message scrolls on the LED matrix display.

- Press E1 to speed up
- Press E2 to slow down
- Press E3 to return to the default speed
- Press E8 to exit the application

Other button presses are ignored

4.2.1.3 Shake Test (Button E3)

This application uses the accelerometer to measure how hard you can shake the badge board. The opening message can be skipped by pressing any key.

A single bar of LED’s will show up on the left hand side. Shake the board side-to-side for five seconds and notice that the harder the board is shaken, the further the bar moves to the right. After five seconds, “Results:” will scroll across the screen followed by a message describing how well you did. The application will then go back to the default scrolling message.

4.2.1.4 Tilt (Button E4)

This application uses the accelerometer to determine how the badge board is being tilted, and moves a “dot” around the LED matrix accordingly.

After launching the application, “Tilt” will scroll across the screen. Hold the board either flat or upright at this time to get the best result. Once a single LED is turned on in the center of the LED matrix, tilt the board around to see how it reacts. Press E8 to exit.

4.2.1.5 Magic Badge (Button E5)

Find out the answer to all life’s questions or just figure out what you should do on your next business deal. Ask the Magic Badge! It’s powered by secret Freescale technology. The badge will ask you to think of any yes-or-no question. Then once you’re ready, shake it up and down a few times, and the answer will appear. Repeat until all of life’s mysteries have been solved. Press E8 to exit.

4.2.1.6 Paddle Ball (Button E6)

Keep the ball from falling into the abyss! After launching the application, it will ask you to select a speed to play at. Press E1 for the fastest, E2 for second fastest, etc. E8 is the slowest. By default it will be set at E6 if no button is pressed by the end of the message.

- Press E4 to move the paddle to the left by one space.
- Press E8 to move the paddle to the right by one space.
- Press E1 to exit the application.

4.2.1.7 Side Ball (Button E7)

This application can be obtained by registering at <http://canyourbadgedothis.com>

After launching the application, it will ask you to select a speed to play at. Press E1 for the fastest, E2 for second fastest, etc. E8 is the slowest. By default it will be set at E6 if no button is pressed by the end of the message. The game controls are as follows:

- Move your finger along the left side to move the left paddle up and down
- Move your finger along the right side to move the right paddle up and down

To exit, press, in order, E1, E5, E4, and E8. (Or just power-cycle the board)

4.2.1.8 Exit (Button E8)

Exit the demo mode selection screen

4.2.2 USB Applications

These applications can only be accessed when the badge is connected via USB to a computer. Upon plugging in a USB connection, press any button OTHER than E4 to launch the USB demo, or just wait for the message to scroll past. See Section 4.3 for more details.

The battery will be recharging while the badge board is connected to a USB connection.

4.2.2.1 Mouse

This is the default USB application. The badge will enumerate as a HID-compliant 3 button mouse. Tilt the board to move the mouse cursor around. Tilt it slightly to slowly move the pointer, or tilt it at a more severe angle to make the cursor move faster.

- E1 produces a left click
- E2 produces a right click
- E3 produces a middle click

Unplug the badge board from the USB connection to exit.

4.2.2.2 Music Demo

This application uses the magnetic buzzer to create different tones using a PWM channel. This application draws high amounts of current; therefore, the badge must be connected to and powered by a USB Host instead of the battery.

While connected as a mouse, press E8 to exit that demo and start the music demo. Each button corresponds with a different note:

Table 7. Music Demo Frequencies

Button	Note	Frequency
1	A	440 Hz
2	B	494 Hz
3	C	523 Hz
4	D	587 Hz
5	E	659 Hz
6	F	698 Hz
7	G	784 Hz
8	A	880 Hz

Unplug the badge board from the USB connection to exit.

4.3 Bootloader

One of the major features of the JM Badge Board is that it includes a USB bootloader that allows simple “drag and drop” reprogramming. This section will describe how to use the bootloader. Please see the Errata document for important information about the s19 files that the bootloader can accept.

4.3.1 Obtaining the S19 file

The bootloader accepts S19 files that it uses to program the board. In the example projects this file can be found in the <project directory>/bin/ folder and will end in a “.s19” file extension. This file will get overwritten every time the project is compiled.

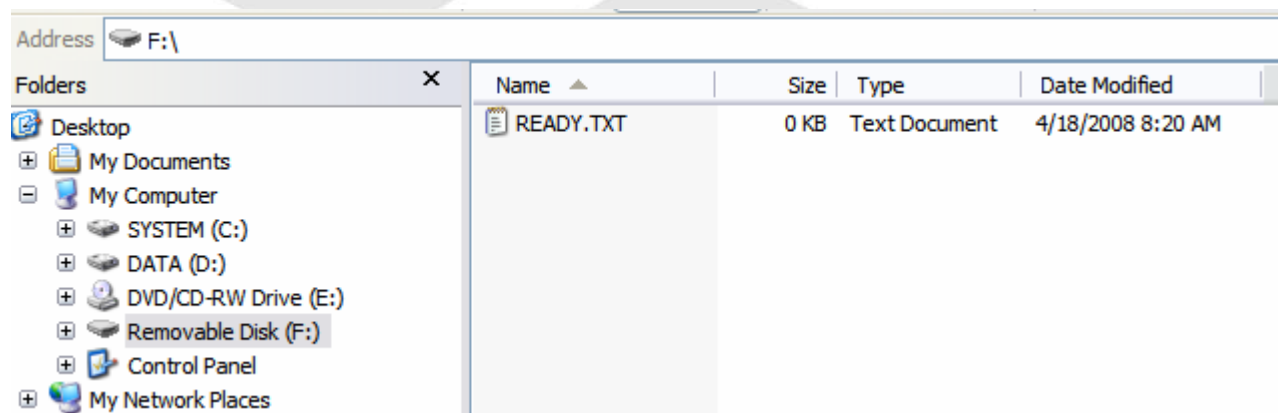
To create an S19 file, click on the “Standard Settings...” button on your project, and look for the Linker category. Select “ColdFire Linker” and make sure that the “Generate S-Record File” option is checked. Also make sure that the “Max S-Record Length” field is set to 32. The example projects on the *Can Your Badge Do This?* website are already set up to create an S19 file.

Note that not just any S19 file will work correctly with the badge board. The software that produced the S19 file must follow certain guidelines outlined in Section 4.4. The S19 files provided on the *Can Your Badge Do This?* website will correctly download to the board and can be used to test out the bootloader.

4.3.2 Using the Bootloader

With the badge turned off, plug the badge into a Windows computer. A message stating “Press E4 for bootloader” will scroll by. Press E4 before the end of that message, otherwise the USB Mouse demo will launch instead (see Section 4.2.2.1).

The badge board will then enumerate as a Mass Storage Device. The far left column of the LED matrix will blink as it enumerates and will remain steady once it is connected.. Inside the newly added storage device, there will be an empty file named “READY.TXT”.



Copy and paste the S19 file into the enumerated drive. Upon successful programming, the left two columns on the badge will light up and the S19 file will appear on the removable drive.

Unplug the badge board from the USB connection. The board has now been updated. If an error occurred, the left four columns on the badge will light up.

The badge must be turned on and run off battery power at least once before using one of the USB applications.

4.4 Creating an Application for the Badge

To create software that can be downloaded to the badge using the bootloader, there are a few guidelines that must be met. The LEDApp.zip and JM_Badge_Board.zip CodeWarrior projects have been provided as templates for development. It is highly recommended to start custom software designs with one of those projects.

4.4.1 Software Requirements

There are several important things that must be done for a custom application to download and work correctly with the badge bootloader. This includes setting up the interrupts, ensuring the code is called from the correct place, and checking the code size.

4.4.1.1 Interrupts

All interrupts that will be used in the project must be declared in the main.c file. This file can be found in <Project Directory>/Sources/main.c

In that file, there is an array called “RAM_vector[]” that contains the re-directs to all the interrupt handler routines. For the interrupt that is to be used, replace “dummy_ISR” with the name of the interrupt function that should be used instead.

For example, in the LED_App project, the RTC interrupt (Vector 91) is using the “rtc_interrupt” function. This function will be called any time an RTC interrupt occurs. This is the only change that is required that is specific to the badge board in order to use interrupts.

4.4.1.2 Application Code

All user application code must be called from a specific place in main.c. This file can be found in <Project Directory>/Sources/main.c

In the main(void) function, there are two large comment blocks that signal the beginning and end of where the application code should begin and end executing. The code may call any functions from within this block, so there is no need to put all the code in the main.c file.

4.4.1.3 Code Size

As can be seen in the project.lcf linker file, the bootloader takes up the flash addresses from 0x00000000 to 0x00003800. This leaves addresses 0x00003800 to 0x00020000 for application code. There is also 0x3E00 bytes of RAM space available located from 0x00800200 to 0x00804000. See the linker file for more information.

4.4.2 Loading Application onto Badge Board

See Section 4.3.1 for how to use get an S19 file and load it on the board.

4.4.3 Initialization code

It is highly recommended to keep the `sys_init()` function from the sample projects when developing custom projects. This sets up the GPIO pins correctly for the badge board, and ensures very low power consumption. Certain pins (particularly PTF2, which is connected to the magnetic buzzer), can have very dramatic affects on current draw.

Note that the initialization function turns off all system clocks except KBI and IRQ. The other module clocks are only turned on when needed. See the SCGC1, SCGC2, and SCGC3 register descriptions in Section 5.7.8 of the MCF51JM128 Reference Manual for more information.

The clock is also set up to use Bypassed Low Power External (BLPE) mode, with a bus clock speed of 750 Hz. See Chapter 7 of the MCF51JM128 Reference Manual for more information.

4.4.4 Useful Information

The `JM_Badge_Board.zip` project contains sample code for using the touch sensor, accelerometer, battery charger, speaker, and scrolling messages across the LED Matrix. This should help get custom designs up and running quickly.

For simple debugging, you can use the LED Matrix. PTAD controls which rows are activated.

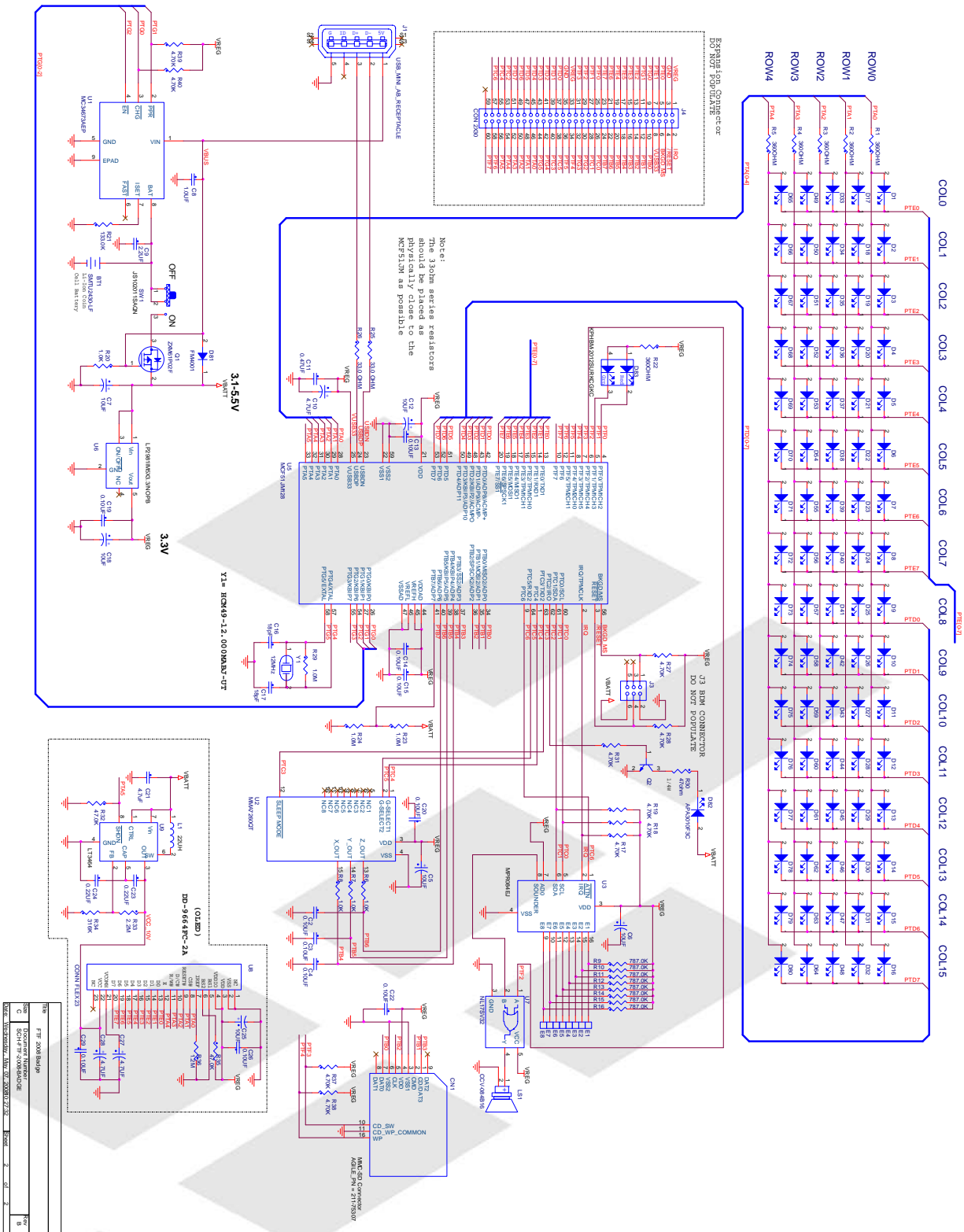
- PTAD=0x00 means no LEDs will light up.
- PTAD=0x01 will activate the 1st row.
- PTAD=0x02 will activate the 2nd row
- PTAD=0x1F will activate all the rows.

PTED and PTDD control which column is lit. PTED controls the left 8 columns. PTDD controls the right 8 columns. First negate the value to display, and then hold the badge upside-down to correctly read the value.

- PTED=~(0x01) will light up the left most column (Column #1)
- PTED=~(0x03) will light up the two left most columns (Columns #1 and #2)
- PTDD=~(0x80) will light up the right most column (Column #16)
- PTDD=~(0x01) will light up column #9

See the Badge Errata page for important information on issues with the bootloader and workarounds.

5 Schematics





Freescale™ and the Freescale logo are trademarks of Freescale Semiconductor, Inc. All other product or service names are the property of their respective owners.

© Freescale Semiconductor, Inc. 2008. All rights reserved.