

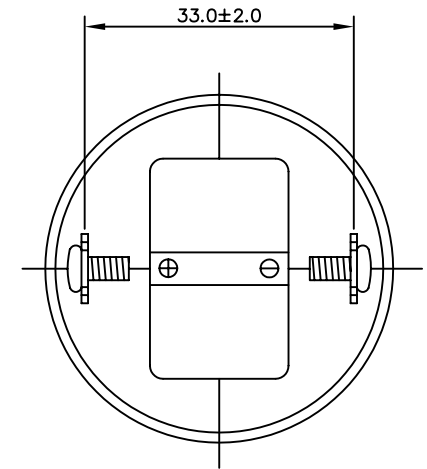
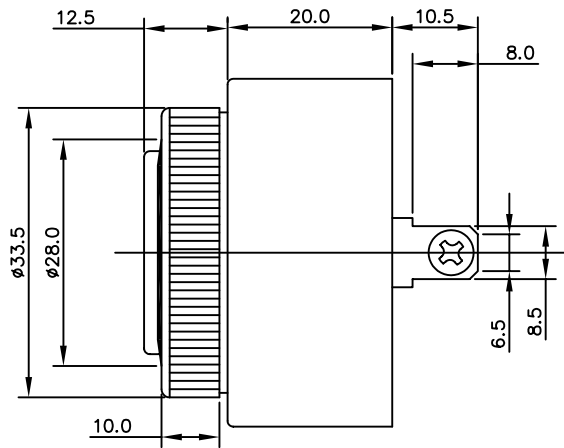
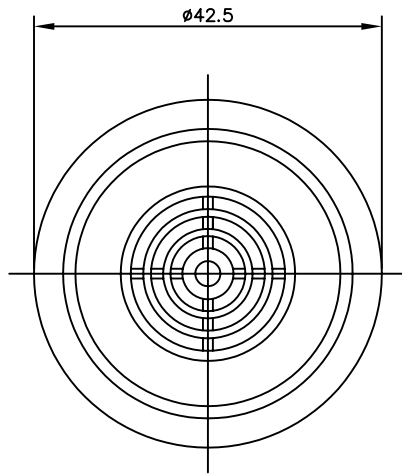
THIS DOCUMENT CONTAINS DATA PROPRIETARY TO PROJECTS UNLIMITED, INC. ANY USE OR REPRODUCTION, IN ANY FORM, WITHOUT PRIOR WRITTEN PERMISSION OF PROJECTS UNLIMITED, INC. IS PROHIBITED.
 © 2003, Projects Unlimited Inc.

SPECIFICATIONS

PARAMETERS	VALUES	UNITS
RATED VOLTAGE	110	Vdc
OPERATING VOLTAGE RANGE	30 ~ 120	Vdc/Vac
RATED CURRENT (MAX)	20	mA
MINIMUM SPL @ 10 cm.	92	dBA
RESONANT FREQUENCY	2,800±500	Hz
tone OR PULSE RATE	CONTINUOUS	0 PULSE PER SECOND
OPERATING TEMPERATURE	-30 ~ +85	°C
STORAGE TEMPERATURE	-40 ~ +85	°C
HOUSING MATERIAL	NYLON UL-94-V-0	-
TERMINAL MATERIAL	TIN-PLATED TAPPED SCREW	-
WEIGHT	40	grams

REVISIONS

LTR	DESCRIPTION	DATE	APPROVED
-	RELEASED FROM ENGINEERING	2/13/04	
A	ADDED IP RATING	4/15/05	E. P.



NOTES:

1. ALL DIMENSIONS ARE IN MILLIMETERS.
2. SPECIFICATION SUBJECT TO CHANGE OR WITHDRAWAL WITHOUT NOTICE.
3. THIS PART IS IP67 RATED.

UNLESS OTHERWISE SPECIFIED:
 DIMENSIONS ARE IN MILLIMETERS, TOLERANCES ARE ±0.5 AND ANGLES ARE ±3°.



projects®
 unlimited

Dayton, Ohio

PIEZO AUDIO INDICATOR
 AI-4228-P-C120


APPROVALS _____ DATE _____

DRAWN *J.A.F.* 8/05

APPROVED *XXX* XXX

SIZE
 A

DRAWING NO.
 AI-4228-P-C120

THIS PART IS UL RECOGNIZED IN THE USA AND CANADA. 
 FILE NAME
 AI-4228-P-C120.DWG

DO NOT SCALE DRAWING

SCALE: N.T.S.

SHEET 1 OF 1