

# C4532X5R0J686M280KA

TDK Item Description : C4532X5R0J686MT\*\*\*\*

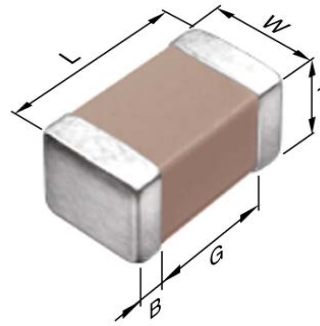


## Application & Main Feature

Commercial Grade ( General (Up to 50V) )

## Series

C4532 [EIA CC1812]



## Dimensions

L 4.50mm +/-0.4mm  
 W 3.20mm +/-0.4mm  
 T 2.80mm +/-0.3mm  
 B 0.20mm Min.  
 G

## Temperature Characteristic

X5R (-55 to 85 degC +/-15%)

## Rated Voltage

0J (6.3Vdc)

## Capacitance

68uF

## Capacitance Tolerance

M (+/-20%)

## Dissipation Factor

7.5% Max.

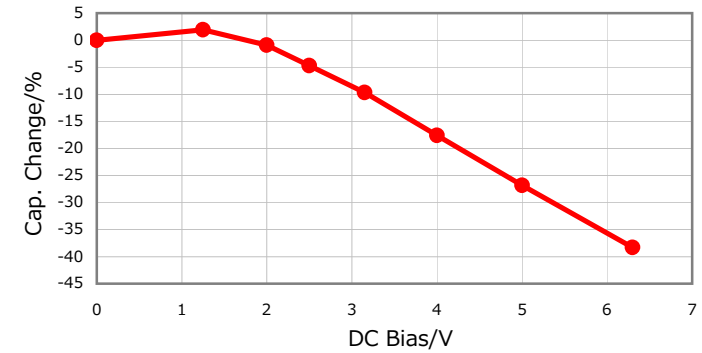
## Insulation Resistance

1Mohm Min.

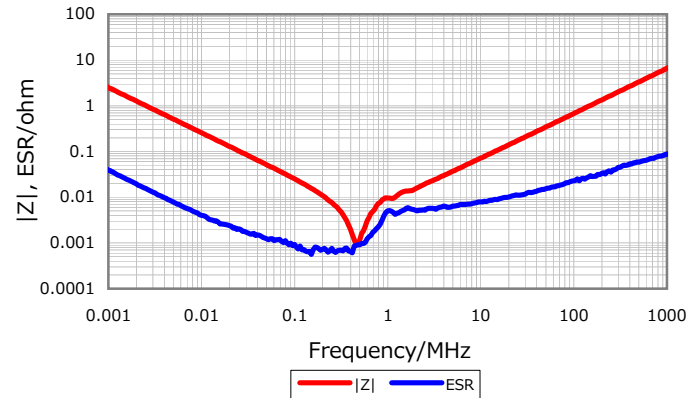
## AEC-Q200

Not Applicable

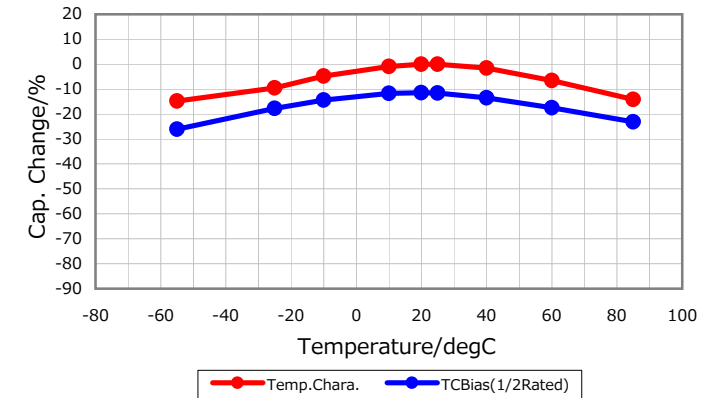
## DC Bias Characteristic



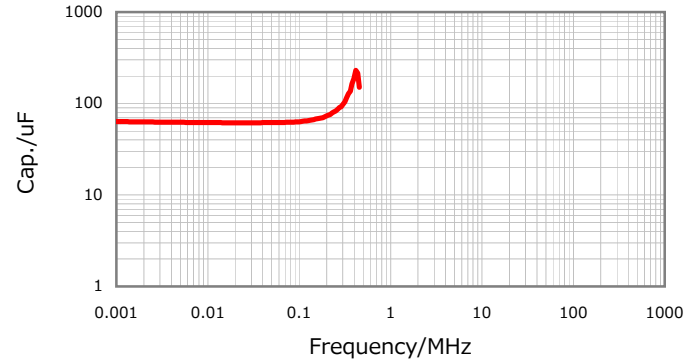
## |Z|, ESR vs. Freq. Characteristics



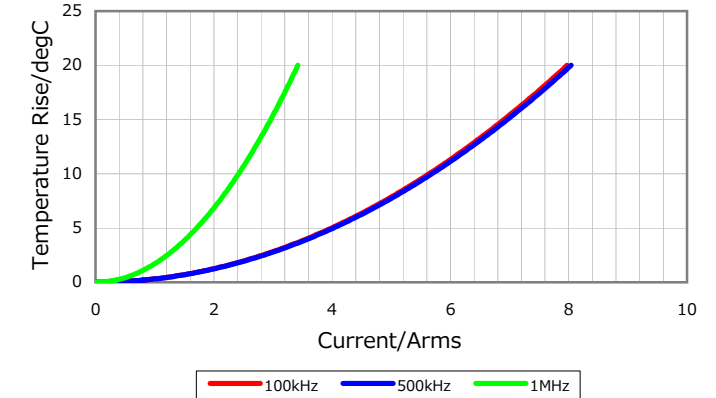
## Temperature Characteristics



## Cap. vs. Freq. Characteristic



## Ripple Temperature Rise Characteristics



Characterization Sheet ( Multilayer Ceramic Chip Capacitors )



All specifications are subject to change without notice.

January 4, 2016