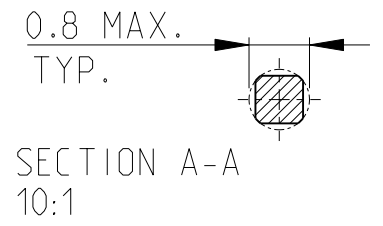
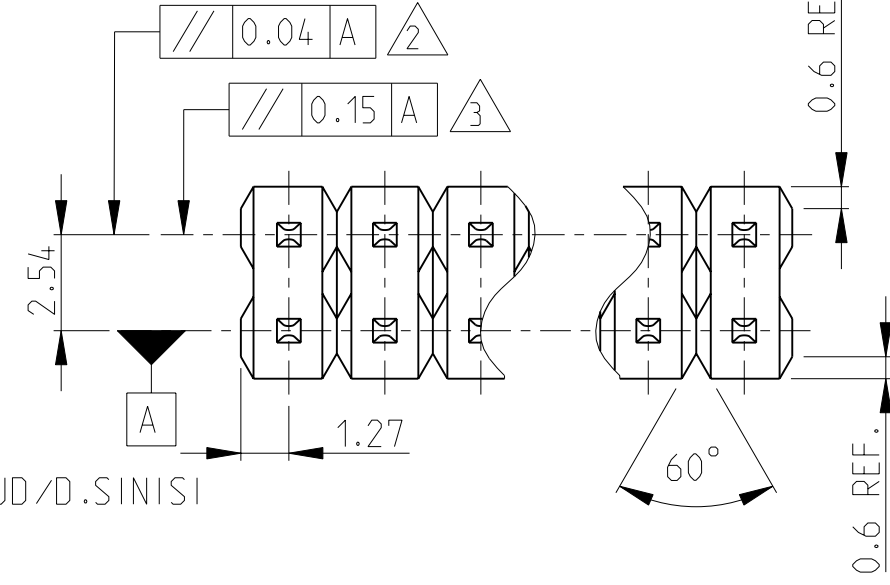
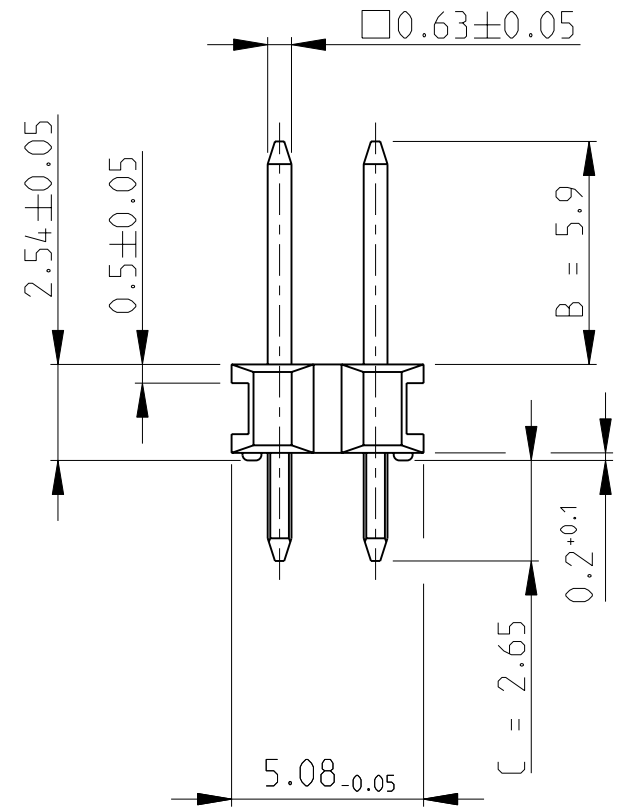
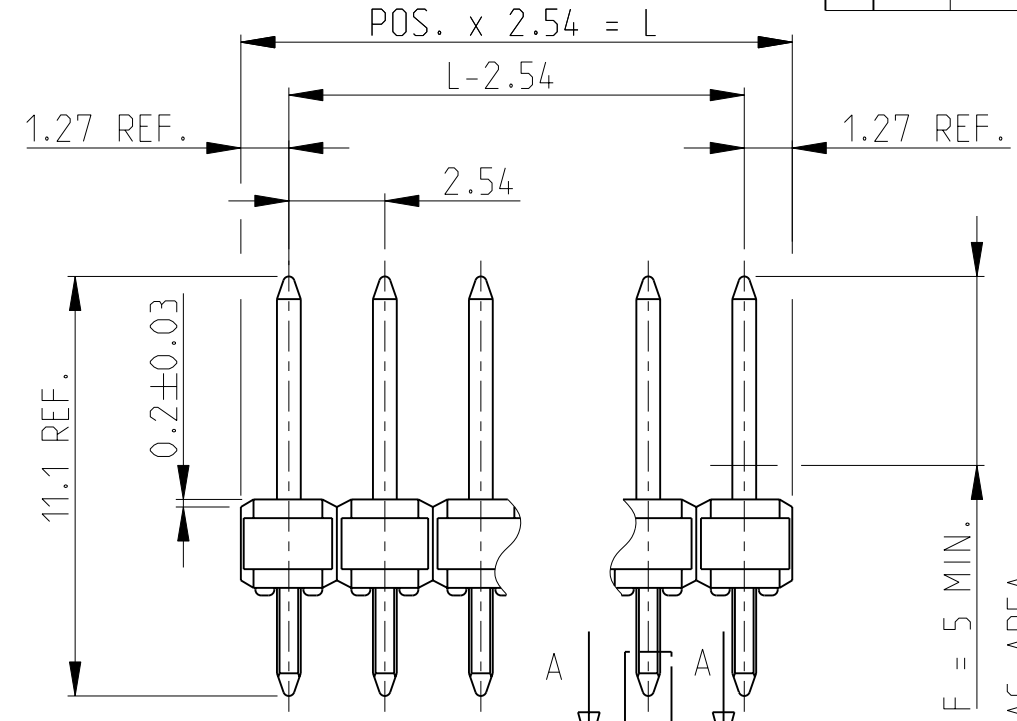


LOC	DIST	REVISIONS			
P	LTR	DESCRIPTION	DATE	DWN	APVD
A1	-	A3	ECR-10-010420	24AUG10	RK SRE
		A4	REVISED PER ECR-10-025774	07JUN11	KK HMR

POS. PER ROW	L +0.3 -0.6	PART - NO.	POS. PER ROW	L +0.3 -0.6	PART - NO.
-	-	-	26	66.04	2- 828 430-6
2	5.08	828 430-2	27	68.58	2- -7
3	7.62	△ -3	28	71.12	2- -8
4	10.16	△ -4	29	73.66	2- -9
5	12.70	△ -5	30	76.20	△ 3- -0
6	15.24	△ -6	31	78.74	△ 3- -1
7	17.78	△ -7	32	81.28	△ 3- -2
8	20.32	△ -8	33	83.82	3- -3
9	22.86	△ -9	34	86.36	3- -4
10	25.40	1- -0	35	88.90	3- -5
11	27.94	△ 1- -1	36	91.44	△ 3- -6
12	30.48	1- -2	37	93.98	△ 3- -7
13	33.02	△ 1- -3	38	96.52	△ 3- -8
14	35.56	1- -4	39	99.06	△ 3- -9
15	38.10	△ 1- -5	40	101.60	△ 4- -0
16	40.64	△ 1- -6	41	104.14	△ 4- -1
17	43.18	△ 1- -7	42	106.68	△ 4- -2
18	45.72	△ 1- -8	43	109.22	△ 4- -3
19	48.26	1- -9	44	111.76	△ 4- -4
20	50.80	△ 2- -0	45	114.30	△ 4- -5
21	53.34	2- -1	46	116.84	△ 4- -6
22	55.88	△ 2- -2	47	119.38	△ 4- -7
23	58.42	2- -3	48	121.92	△ 4- -8
24	60.96	2- -4	49	124.46	△ 4- -9
25	63.50	△ 2-828 430-5	50	127.00	△ 5-828 430-0

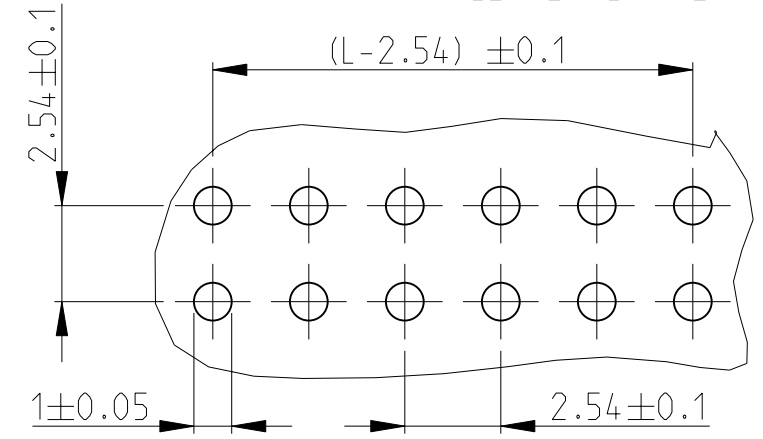


SECTION A-A
10:1



- △ 1 0.8 µm GOLD AT AREA F OVER 1.27 µm NICKEL AT AREA B MIN. 3 µm TIN OVER 1.27 µm NICKEL AT AREA C
- △ 2 FROM -2 TILL 3- -6
- △ 3 FROM 3- -7 TILL 5- -0
- △ 4 OBSOLETE PARTS: OBSOLETE CIS STREAMLINING PER D.RENAUD/D.SINISI
- △ 5 OBSOLETE

PC BOARD LAYOUT
LEITERPLATTENANSCHLUSSBILD



△ 1	Cu Sn	CONTACT PIN KONTAKTSTIFT
COLOUR GREEN	PBT GV	PINHOUSING STIFTGEHAEUSE
REMARK BEMERKUNG	MATERIAL	DESCRIPTION BEZEICHNUNG

THIS DRAWING IS A CONTROLLED DOCUMENT.		DWN A.HQ 27MRZ1986	TE Connectivity	
DIMENSIONS: mm		CHK M.SCHAARSCHMIDT 02APR1986		
TOLERANCES UNLESS OTHERWISE SPECIFIED:		APVD -	NAME	
0 PLC ±0.1	1 PLC ±0.1	PRODUCT SPEC 108-18012	AMPMODU II	
2 PLC ±0.1	3 PLC ±	APPLICATION SPEC -	PINHEADER DUAL ROW	
4 PLC ±	ANGLES ±2°	WEIGHT -	SIZE A3	CAGE CODE 00779
MATERIAL -	FINISH -	CUSTOMER DRAWING	DRAWING NO C-828430	RESTRICTED TO -
			SCALE 5:1	SHEET 1 OF 1
			REV A4	