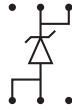


CMKTC825A
CMKTC825E

SURFACE MOUNT
TEMPERATURE COMPENSATED
SILICON ZENER DIODE

ULTRAmⁱⁿⁱ



SOT-363 CASE

Central
Semiconductor Corp.

www.centrasemi.com

DESCRIPTION:

The CENTRAL SEMICONDUCTOR CMKTC825A and CMKTC825E are 6.2 volt, temperature compensated Zener reference diodes. These devices are ideal for applications requiring long term voltage stability over the specified temperature range.

CMKTC825A MARKING CODE: CT25

CMKTC825E MARKING CODE: C25E

MAXIMUM RATINGS: ($T_A=25^\circ\text{C}$)

Power Dissipation

Operating and Storage Junction Temperature

Tolerance

SYMBOL

P_D

T_J, T_{stg}

325

-65 to +150

± 5

UNITS

mW

$^\circ\text{C}$

%

ELECTRICAL CHARACTERISTICS: ($T_A=25^\circ\text{C}$ unless otherwise noted)

SYMBOL	TEST CONDITIONS	MIN	NOM	MAX	UNITS
V_Z	$I_Z=7.5\text{mA}$	5.89	6.20	6.51	V
Z_Z	$I_Z=7.5\text{mA}$			20	Ω
ΔV_Z^*	$I_Z=7.5\text{mA}$ (CMKTC825A)			44	mV
ΔV_Z^*	$I_Z=7.5\text{mA}$ (CMKTC825E)			20	mV

* The maximum allowable voltage change observed at the specified temperatures of -55°C , 0°C , 25°C , 75°C , and 100°C

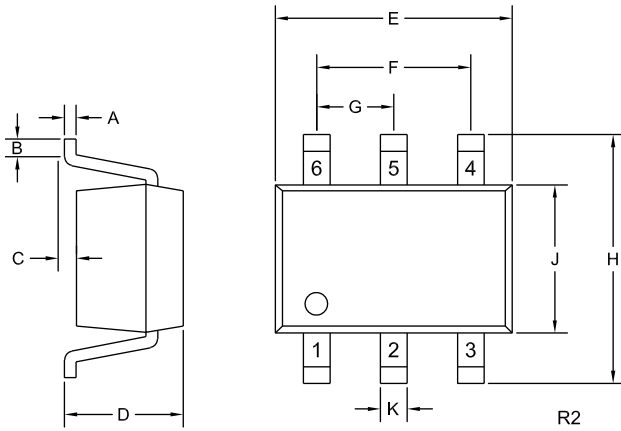
R5 (13-January 2010)

CMKTC825A
CMKTC825E

SURFACE MOUNT
TEMPERATURE COMPENSATED
SILICON ZENER DIODE



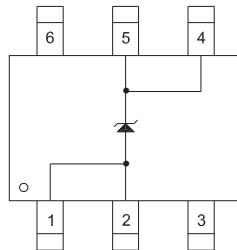
SOT-363 CASE - MECHANICAL OUTLINE



SYMBOL	INCHES		MILLIMETERS	
	MIN	MAX	MIN	MAX
A	0.004	0.010	0.10	0.25
B	0.005	-	0.12	-
C	0.000	0.004	0.00	0.10
D	0.031	0.043	0.80	1.10
E	0.071	0.087	1.80	2.20
F	0.051		1.30	
G	0.026		0.65	
H	0.075	0.091	1.90	2.30
J	0.043	0.055	1.10	1.40
K	0.006	0.012	0.15	0.30

SOT-363 (REV: R2)

PIN CONFIGURATION



LEAD CODE:

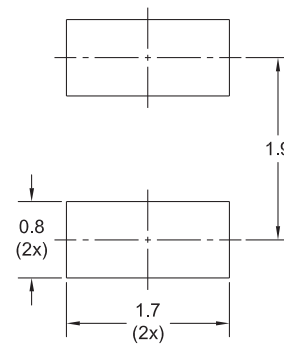
- 1) Anode
- 2) Anode
- 3) NC
- 4) Cathode
- 5) Cathode
- 6) NC

MARKING CODES:

CMKTC825A: CT25
CMKTC825E: C25E

SUGGESTED MOUNTING PADS

(Dimensions in mm)



R5 (13-January 2010)

OUTSTANDING SUPPORT AND SUPERIOR SERVICES



PRODUCT SUPPORT

Central's operations team provides the highest level of support to insure product is delivered on-time.

- Supply management (Customer portals)
- Inventory bonding
- Consolidated shipping options
- Custom bar coding for shipments
- Custom product packing

DESIGNER SUPPORT/SERVICES

Central's applications engineering team is ready to discuss your design challenges. Just ask.

- Free quick ship samples (2nd day air)
- Online technical data and parametric search
- SPICE models
- Custom electrical curves
- Environmental regulation compliance
- Customer specific screening
- Up-screening capabilities
- Special wafer diffusions
- PbSn plating options
- Package details
- Application notes
- Application and design sample kits
- Custom product and package development

REQUESTING PRODUCT PLATING

1. If requesting Tin/Lead plated devices, add the suffix " TIN/LEAD" to the part number when ordering (example: 2N2222A TIN/LEAD).
2. If requesting Lead (Pb) Free plated devices, add the suffix " PBFREE" to the part number when ordering (example: 2N2222A PBFREE).

CONTACT US

Corporate Headquarters & Customer Support Team

Central Semiconductor Corp.
145 Adams Avenue
Hauppauge, NY 11788 USA
Main Tel: (631) 435-1110
Main Fax: (631) 435-1824
Support Team Fax: (631) 435-3388
www.centrasemi.com

Worldwide Field Representatives:
www.centrasemi.com/wwreps

Worldwide Distributors:
www.centrasemi.com/wwdistributors

For the latest version of Central Semiconductor's **LIMITATIONS AND DAMAGES DISCLAIMER**, which is part of Central's Standard Terms and Conditions of sale, visit: www.centrasemi.com/terms



<http://www.centrasemi.com>

Product End of Life Notification

PDN ID:	PDN01028
Notification Date:	6/23/16
Last Buy Date:	12/23/16
Last Shipment Date	6/23/17

Summary: The CMKTC825E temperature compensated Zener diode has been discontinued and is now classified as End of Life (EOL).

Although Central Semiconductor Corp. makes every effort to continue to produce devices that have been proclaimed EOL (End of Life) by various manufacturers, it is an accepted industry practice to discontinue certain devices when customer demand falls below a minimum level of sustainability. Accordingly, the following product(s) have been transitioned to End of Life status as part of Central's Product Management Process. Any replacement product will be noted below. The effective date for placing the last purchase order will be six(6) months from the date of this notice and twelve(12) months from the notice date for final shipments; this may be extended if inventory is available.

<u>Central Part Number</u>	<u>Replacement</u>
CMKTC825E BK	CMKTC825A BK H
CMKTC825E TR	CMKTC825A TR H

Central would be happy to assist you by providing additional information or technical data to help locate an alternate source if we have no replacement available. Please email your requests to engineering@centrasemi.com.

DISCLAIMER: This End of Life (EOL) notification is in accordance with JEDEC standard JESD48 - Product Discontinuance. Central Semiconductor Corp. will make every effort to offer life-time buy (LTB) opportunities and/or offer replacement devices to existing customers for discontinued devices, however, one or both may not be possible for all devices. Please contact your local Central Semiconductor sales representative for LTB opportunities/additional information.