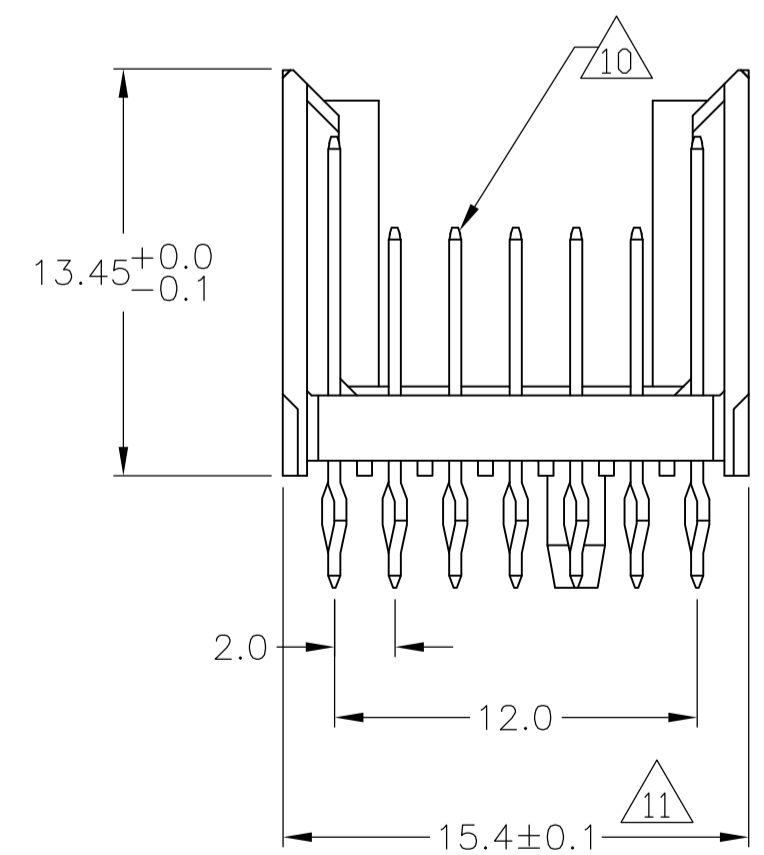
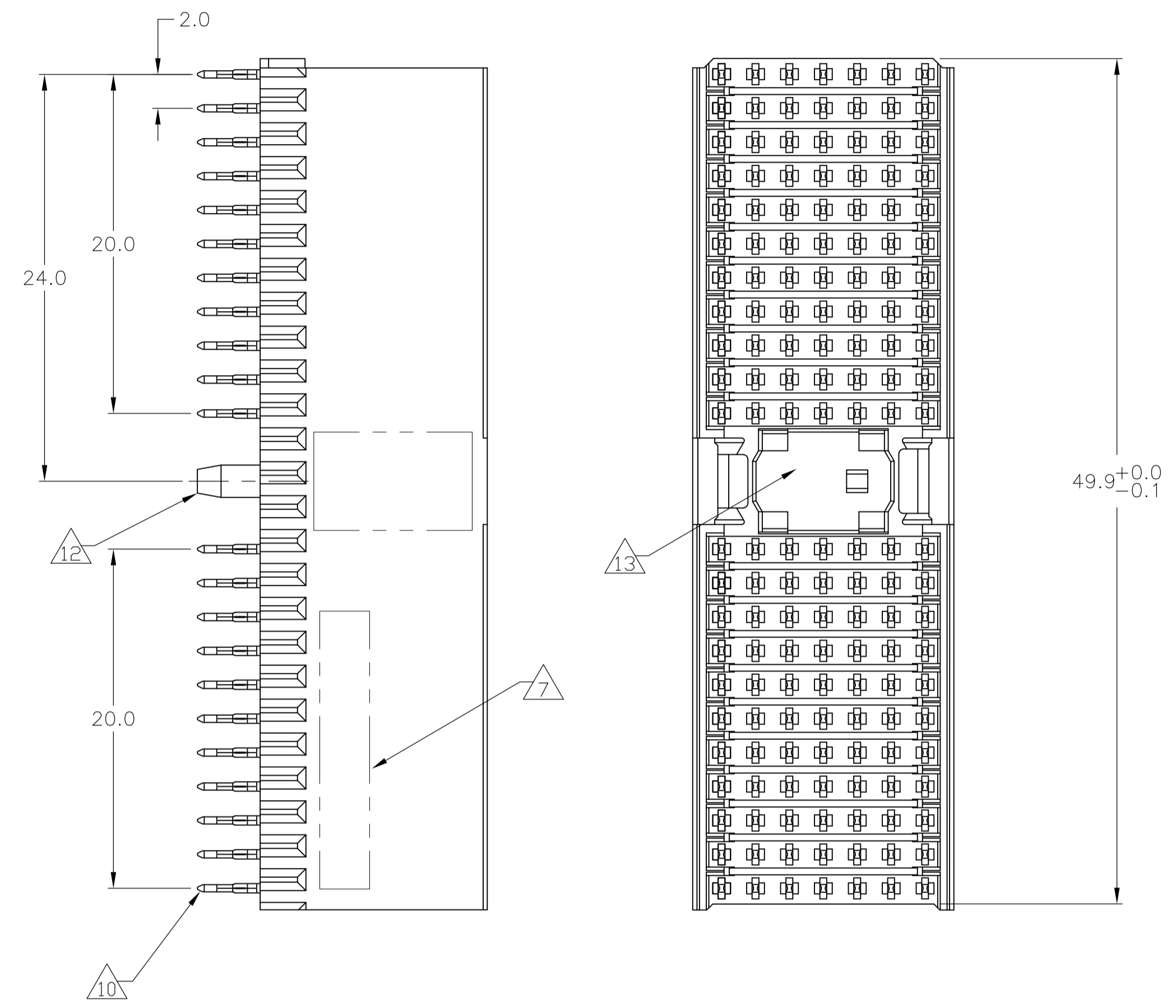
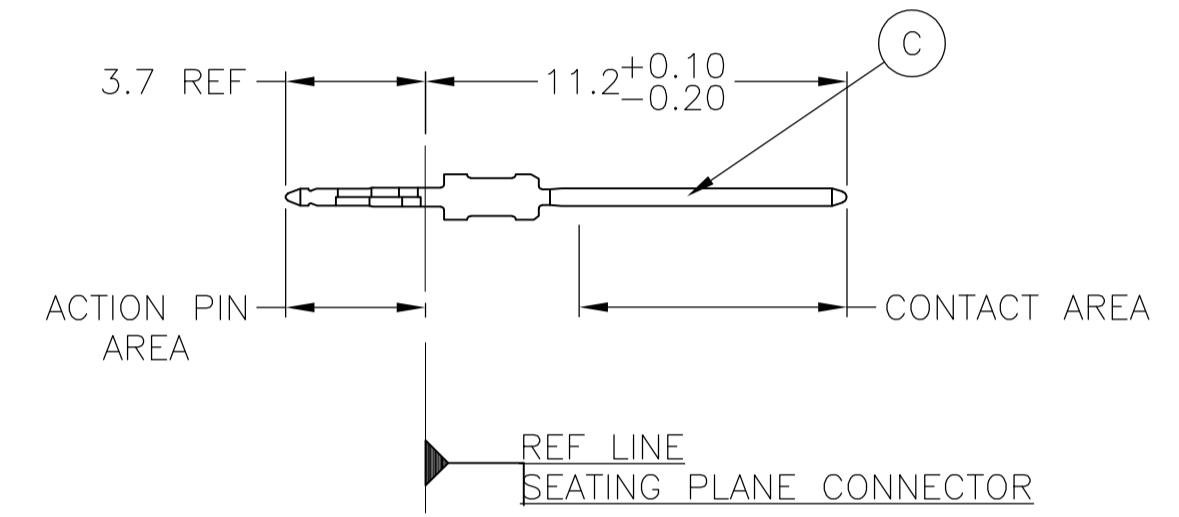
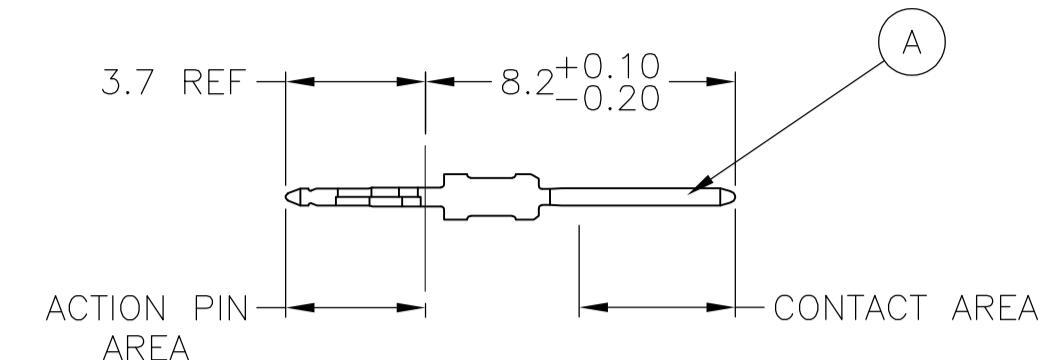


CONNECTOR ASSEMBLY EXAMPLARY LOADED



CONTACT DIMENSIONS

SCALE 5:1

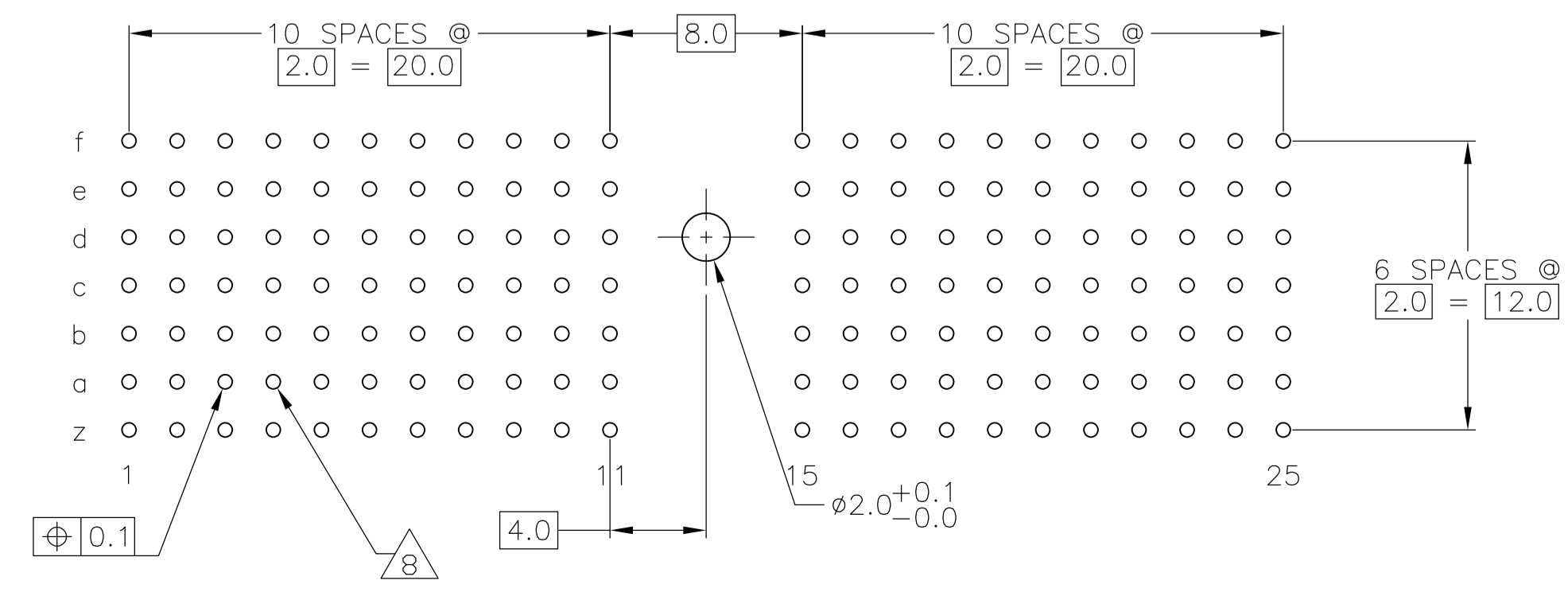


CONTACT LAYOUT

	z	a	b	c	d	e	f
1	C	A	A	A	A	A	C
2	C	A	A	A	A	A	C
3	C	A	A	A	A	A	C
4	C	A	A	A	A	A	C
5	C	A	A	A	A	A	C
6	C	A	A	A	A	A	C
7	C	A	A	A	A	A	C
8	C	A	A	A	A	A	C
9	C	A	A	A	A	A	C
10	C	A	A	A	A	A	C
11	C	A	A	A	A	A	C
MULTI PURPOSE CENTER							
15	C	A	A	A	A	A	C
16	C	A	A	A	A	A	C
17	C	A	A	A	A	A	C
18	C	A	A	A	A	A	C
19	C	A	A	A	A	A	C
20	C	A	A	A	A	A	C
21	C	A	A	A	A	A	C
22	C	A	A	A	A	A	C
23	C	A	A	A	A	A	C
24	C	A	A	A	A	A	C
25	C	A	A	A	A	A	C

RECOMMENDED PCB-HOLE LAYOUT COMPONENT SIDE SHOWN

PLATED THRU HOLES PARAMETERS REFERENCE APPLICATION SPECIFICATION




	2	6	14	1-5100668-9
OBSELETE	2	5	14	5100668-9
OBSELETE	2	4	14	5100668-4
	2	3	14	5100668-1
FINISH				PART NUMBER

THIS DRAWING IS A CONTROLLED DOCUMENT.

DIMENSIONS: mm	TOLERANCES UNLESS OTHERWISE SPECIFIED:	DIN B CARBO 24JAN05	24JAN05	24JAN05	24JAN05	24JAN05
0-PLC ±	1-PLC ±0.1	0-PLC ±	1-PLC ±0.1	2-PLC ±	3-PLC ±	4-PLC ±
5-PLC ±	6-PLC ±	7-PLC ±	8-PLC ±	9-PLC ±	10-PLC ±	11-PLC ±
12-PLC ±	13-PLC ±	14-PLC ±	15-PLC ±	16-PLC ±	17-PLC ±	18-PLC ±
19-PLC ±	20-PLC ±	21-PLC ±	22-PLC ±	23-PLC ±	24-PLC ±	25-PLC ±
26-PLC ±	27-PLC ±	28-PLC ±	29-PLC ±	30-PLC ±	31-PLC ±	32-PLC ±
33-PLC ±	34-PLC ±	35-PLC ±	36-PLC ±	37-PLC ±	38-PLC ±	39-PLC ±
40-PLC ±	41-PLC ±	42-PLC ±	43-PLC ±	44-PLC ±	45-PLC ±	46-PLC ±
47-PLC ±	48-PLC ±	49-PLC ±	50-PLC ±	51-PLC ±	52-PLC ±	53-PLC ±
54-PLC ±	55-PLC ±	56-PLC ±	57-PLC ±	58-PLC ±	59-PLC ±	60-PLC ±
61-PLC ±	62-PLC ±	63-PLC ±	64-PLC ±	65-PLC ±	66-PLC ±	67-PLC ±
68-PLC ±	69-PLC ±	70-PLC ±	71-PLC ±	72-PLC ±	73-PLC ±	74-PLC ±
75-PLC ±	76-PLC ±	77-PLC ±	78-PLC ±	79-PLC ±	80-PLC ±	81-PLC ±
82-PLC ±	83-PLC ±	84-PLC ±	85-PLC ±	86-PLC ±	87-PLC ±	88-PLC ±
89-PLC ±	90-PLC ±	91-PLC ±	92-PLC ±	93-PLC ±	94-PLC ±	95-PLC ±
96-PLC ±	97-PLC ±	98-PLC ±	99-PLC ±	100-PLC ±	101-PLC ±	102-PLC ±
103-PLC ±	104-PLC ±	105-PLC ±	106-PLC ±	107-PLC ±	108-PLC ±	109-PLC ±
110-PLC ±	111-PLC ±	112-PLC ±	113-PLC ±	114-PLC ±	115-PLC ±	116-PLC ±
117-PLC ±	118-PLC ±	119-PLC ±	120-PLC ±	121-PLC ±	122-PLC ±	123-PLC ±
124-PLC ±	125-PLC ±	126-PLC ±	127-PLC ±	128-PLC ±	129-PLC ±	130-PLC ±
131-PLC ±	132-PLC ±	133-PLC ±	134-PLC ±	135-PLC ±	136-PLC ±	137-PLC ±
138-PLC ±	139-PLC ±	140-PLC ±	141-PLC ±	142-PLC ±	143-PLC ±	144-PLC ±
145-PLC ±	146-PLC ±	147-PLC ±	148-PLC ±	149-PLC ±	150-PLC ±	151-PLC ±
152-PLC ±	153-PLC ±	154-PLC ±	155-PLC ±	156-PLC ±	157-PLC ±	158-PLC ±
159-PLC ±	160-PLC ±	161-PLC ±	162-PLC ±	163-PLC ±	164-PLC ±	165-PLC ±
166-PLC ±	167-PLC ±	168-PLC ±	169-PLC ±	170-PLC ±	171-PLC ±	172-PLC ±
173-PLC ±	174-PLC ±	175-PLC ±	176-PLC ±	177-PLC ±	178-PLC ±	179-PLC ±
180-PLC ±	181-PLC ±	182-PLC ±	183-PLC ±	184-PLC ±	185-PLC ±	186-PLC ±
187-PLC ±	188-PLC ±	189-PLC ±	190-PLC ±	191-PLC ±	192-PLC ±	193-PLC ±
194-PLC ±	195-PLC ±	196-PLC ±	197-PLC ±	198-PLC ±	199-PLC ±	200-PLC ±
201-PLC ±	202-PLC ±	203-PLC ±	204-PLC ±	205-PLC ±	206-PLC ±	207-PLC ±
208-PLC ±	209-PLC ±	210-PLC ±	211-PLC ±	212-PLC ±	213-PLC ±	214-PLC ±
215-PLC ±	216-PLC ±	217-PLC ±	218-PLC ±	219-PLC ±	220-PLC ±	221-PLC ±
222-PLC ±	223-PLC ±	224-PLC ±	225-PLC ±	226-PLC ±	227-PLC ±	228-PLC ±
229-PLC ±	230-PLC ±	231-PLC ±	232-PLC ±	233-PLC ±	234-PLC ±	235-PLC ±
236-PLC ±	237-PLC ±	238-PLC ±	239-PLC ±	240-PLC ±	241-PLC ±	242-PLC ±
243-PLC ±	244-PLC ±	245-PLC ±	246-PLC ±	247-PLC ±	248-PLC ±	249-PLC ±
250-PLC ±	251-PLC ±	252-PLC ±	253-PLC ±	254-PLC ±	255-PLC ±	256-PLC ±
257-PLC ±	258-PLC ±	259-PLC ±	260-PLC ±	261-PLC ±	262-PLC ±	263-PLC ±
264-PLC ±	265-PLC ±	266-PLC ±	267-PLC ±	268-PLC ±	269-PLC ±	270-PLC ±
271-PLC ±	272-PLC ±	273-PLC ±	274-PLC ±	275-PLC ±	276-PLC ±	277-PLC ±
278-PLC ±	279-PLC ±	280-PLC ±	281-PLC ±	282-PLC ±	283-PLC ±	284-PLC ±
285-PLC ±	286-PLC ±	287-PLC ±	288-PLC ±	289-PLC ±	290-PLC ±	291-PLC ±
292-PLC ±	293-PLC ±	294-PLC ±	295-PLC ±	296-PLC ±	297-PLC ±	298-PLC ±
299-PLC ±	300-PLC ±	301-PLC ±	302-PLC ±	303-PLC ±	304-PLC ±	305-PLC ±
306-PLC ±	307-PLC ±	308-PLC ±	309-PLC ±	310-PLC ±	311-PLC ±	312-PLC ±
313-PLC ±	314-PLC ±	315-PLC ±	316-PLC ±	317-PLC ±	318-PLC ±	319-PLC ±
320-PLC ±	321-PLC ±	322-PLC ±	323-PLC ±	324-PLC ±	325-PLC ±	326-PLC ±
327-PLC ±	328-PLC ±	329-PLC ±	330-PLC ±	331-PLC ±	332-PLC ±	333-PLC ±
334-PLC ±	335-PLC ±	336-PLC ±	337-PLC ±	338-PLC ±	339-PLC ±	340-PLC ±
341-PLC ±	342-PLC ±	343-PLC ±	344-PLC ±	345-PLC ±	346-PLC ±	347-PLC ±
348-PLC ±	349-PLC ±	350-PLC ±	351-PLC ±	352-PLC ±	353-PLC ±	354-PLC ±
355-PLC ±	356-PLC ±	357-PLC ±	358-PLC ±	359-PLC ±	360-PLC ±	361-PLC ±
362-PLC ±	363-PLC ±	364-PLC ±	365-PLC ±	366-PLC ±	367-PLC ±	368-PLC ±
369-PLC ±	370-PLC ±	371-PLC ±	372-PLC ±	373-PLC ±	374-PLC ±	375-PLC ±
376-PLC ±	377-PLC ±	378-PLC ±	379-PLC ±	380-PLC ±	381-PLC ±	382-PLC ±
383-PLC ±	384-PLC ±	385-PLC ±	386-PLC ±	387-PLC ±	388-PLC ±	389-PLC ±
390-PLC ±	391-PLC ±	392-PLC ±	393-PLC ±	394-PLC ±	395-PLC ±	396-PLC ±
397-PLC ±	398-PLC ±	399-PLC ±	400-PLC ±	401-PLC ±	402-PLC ±	403-PLC ±
404-PLC ±	405-PLC ±	406-PLC ±	407-PLC ±	408-PLC ±	409-PLC ±	410-PLC ±
411-PLC ±	412-PLC ±	413-PLC ±	414-PLC ±	415-PLC ±	416-PLC ±	417-PLC ±
418-PLC ±	419-PLC ±	420-PLC ±	421-PLC ±	422-PLC ±	423-PLC ±	424-PLC ±
425-PLC ±	426-PLC ±	427-PLC ±	428-PLC ±	429-PLC ±	430-PLC ±	431-PLC ±
432-PLC ±	433-PLC ±	434-PLC ±	435-PLC ±	436-PLC ±	437-PLC ±	438-PLC ±
439-PLC ±	440-PLC ±	441-PLC ±	442-PLC ±	443-PLC ±	444-PLC ±	445-PLC ±
446-PLC ±	447-PLC ±	448-PLC ±	449-PLC ±	450-PLC ±	451-PLC ±	452-PLC ±
453-PLC ±	454-PLC ±	455-PLC ±	456-PLC ±	457-PLC ±	458-PLC ±	459-PLC ±
460-PLC ±	461-PLC ±	462-PLC ±	463-PLC ±	464-PLC ±	465-PLC ±	466-PLC ±
467-PLC ±	468-PLC ±	469-PLC ±	470-PLC ±	471-PLC ±	472-PLC ±	473-PLC ±
474-PLC ±	475-PLC ±	476-PLC ±	477-PLC ±	478-PLC ±	479-PLC ±	480-PLC ±
481-PLC ±	482-PLC ±	483-PLC ±	484-PLC ±	485-PLC ±	486-PLC ±	487-PLC ±
488-PLC ±	489-PLC ±	490-PLC ±	491-PLC ±	492-PLC ±	493-PLC ±	494-PLC ±
495-PLC ±	496-PLC ±	497-PLC ±	498-PLC ±	499-PLC ±	500-PLC ±	501-PLC ±
502-PLC ±	503-PLC ±	504-PLC ±	505-PLC ±	506-PLC ±	507-PLC ±	508-PLC ±
509-PLC ±	510-PLC ±	511-PLC ±	512-PLC ±	513-PLC ±	514-PLC ±	515-PLC ±
516-PLC ±	517-PLC ±	518-PLC ±	519-PLC ±	520-PLC ±	521-PLC ±	522-PLC ±
523-PLC ±	524-PLC ±	525-PLC ±	526-PLC ±	527-PLC ±	528-PLC ±	529-PLC ±
530-PLC ±	531-PLC ±	532-PLC ±	533-PLC ±	534-PLC ±	535-PLC ±	536-PLC ±
537-PLC ±	538-PLC ±	539-PLC ±	540-PLC ±	541-PLC ±	542-PLC ±	543-PLC ±
544-PLC ±	545-PLC ±	546-PLC ±	547-PLC ±	548-PLC ±	549-PLC ±	550-PLC ±
551-PLC ±	552-PLC ±	553-PLC ±	554-PLC ±	555-PLC ±	556-PLC ±	557-PLC ±
558-PLC ±	559-PLC ±	560-PLC ±	561-PLC ±	562-PLC ±	563-PLC ±	564-PLC ±
565-PLC ±	566-PLC ±	567-PLC ±	568-PLC ±	569-PLC ±	570-PLC ±	571-PLC ±
572-PLC ±	573-PLC ±	574-PLC ±	575-PLC ±	576-PLC ±	577-PLC ±	578-PLC ±
579-PLC ±	580-PLC ±	581-PLC ±	582-PLC ±	583-PLC ±	584-PLC ±	585-PLC ±
586-PLC ±	587-PLC ±	588-PLC ±	589-PLC ±	590-PLC ±	591-PLC ±	592-PLC ±
593-PLC ±	594-PLC ±	595-PLC ±	596-PLC ±	597-PLC ±	598-PLC ±	599-PLC ±
600-PLC ±	601-PLC ±	602-PLC ±	603-PLC ±	604-PLC ±	605-PLC ±	606-PLC ±
607-PLC ±	608-PLC ±	609-PLC ±	610-PLC ±	611-PLC ±	612-PLC ±	613-PLC ±
614-PLC ±	615-PLC ±	616-PLC ±	617-PLC ±	618-PLC ±	619-PLC ±	620-PLC ±
621-PLC ±	622-PLC ±	623-PLC ±	624-PLC ±	625-PLC ±	626-PLC ±	627-PLC ±
628-PLC ±	629-PLC ±	630-PLC ±	631-PLC ±	632-PLC ±	633-PLC ±	634-PLC ±
635-PLC ±	636-PLC ±	637-PLC ±	638-PLC ±	639-PLC ±	640-PLC ±	641-PLC ±
642-PLC ±	643-PLC ±	644-PLC ±	645-PLC ±	646-PLC ±	647-PLC ±	648-PLC ±
649-PLC ±	650-PLC ±	651-PLC ±	652-PLC ±	653-PLC ±	654-PLC ±	655-PLC ±
656-PLC ±	657-PLC ±	658-PLC ±	659-PLC ±	660-PLC ±	661-PLC ±	662-PLC ±
663-PLC ±	664-PLC ±	665-PLC ±	666-PLC ±	667-PLC ±	668-PLC ±	669-PLC ±
670-PLC ±	671-PLC ±	672-PLC ±	673-PLC ±	674-PLC ±	675-PLC ±	676-PLC ±
677-PLC ±	678-PLC ±	679-PLC ±	680-PLC ±	681-PLC ±	682-PLC ±	683-PLC ±
684-PLC ±	685-PLC ±	686-PLC ±	687-PLC ±	688-PLC ±	689-PLC ±	690-PLC ±
691-PLC ±	692-PLC ±	693-PLC ±	694-PLC ±	695-PLC ±	696-PLC ±	697-PLC ±
698-PLC ±	699-PL					

LOC		DIST		REVISIONS			
AD	00	REV	LYR	DESCRIPTION	DATE	DMN	APVD
-	-	-	-	SEE SHEET 1	-	-	-

- 1 MATERIAL:
CONTACT: PHOSPHOR BRONZE.
HOUSING: GLASS-FILLED POLYESTER.
- 2 GENERAL PLATING SPECIFICATION: UNDERPLATING
(ENTIRE CONTACT): 1.27µm MIN NICKEL AND ACTION
PIN: 0.5µm MIN TIN.
FOR PLATING OF MATING SURFACES SEE APPLICABLE
SPECIFICATION REFERENCE FOR EACH DASH NUMBER.
- 3 CONFORMS TO ALL TESTING ACCORDING TO IEC 61076-4-101
PERFORMANCE LEVEL 2.
- 4 CONFORMS TO ALL TESTING ACCORDING TO IEC 61076-4-101
PERFORMANCE LEVEL 1.
- 5 CONNECTOR TESTED AND QUALIFIED AGAINST TELCORDIA GR-1217-CORE QUALITY LEVEL 3,
CENTRAL OFFICE APPLICATIONS.
- 6 CONNECTOR TESTED AND QUALIFIED AGAINST TELCORDIA GR-1217-CORE QUALITY LEVEL 3,
UNCONTROLLED ENVIROMENT APPLICATIONS.
- 7 CONNECTOR MARKED WITH PART NUMBER AND DATE CODE.
ADDITIONAL CHARACTERS OR MARKINGS, AS WELL AS THE LOCATION OF THE MARKINGS,
MAY BE ADDED FOR TRACEABILITY BASED UPON MANUFACTURERS DISCRETION.
- 8 PLATED-THROUGH HOLES AT 2x2mm SQUARE GRID
PATTERN DEFINED BY CONTACT LAYOUT.
- 9 FOR ACTUAL PIN LOADING SEE "CONTACT LAYOUT".
- 10 FOR ACTUAL PIN DIMENSIONS SEE "CONTACT DIMENSIONS".
- 11 TO BE MEASURED AT BOTTOM OF SHROUD.
- 12 POLARIZATION FEATURE.
- 13 AREA RESERVED FOR KEYING PART (BASIC P/N 100525).
- 14 CONNECTOR LUBRICATED WITH BELCORE APPROVED LUBRICANT,
TECHNICAL REFERENCE: TR-NWT-001217 ISSUE 1, SEP 1992.
- 15 OBSOLETE PARTS: OBSOLETE CIS STREAMLINING PER D.RENAUD/D.SINISI

THIS DRAWING IS A CONTROLLED DOCUMENT.		DIN B CARBO 24JAN05		 TE Connectivity	
DIMENSIONS: mm		GSKIPPER 24JAN05			
TOLERANCES UNLESS OTHERWISE SPECIFIED:		APVD GSKIPPER 24JAN05		NAME	
0-PLC ± 1-PLC ±0.1 2-PLC ± 3-PLC ± 4-PLC ± ANGLES ±		PRODUCT SPEC		MALE ASSEMBLY, Z-PACK 2mm HM, TYPE A	
MATERIAL SEE SHEET 1		FINISH SEE SHEET 1		APPLICATION SPEC	
WEIGHT		114-19029		SIZE	
CUSTOMER DRAWING		A1 00779		DRAWING NO	
SCALE 4:1		SHEET 2 OF 2		REV D1	