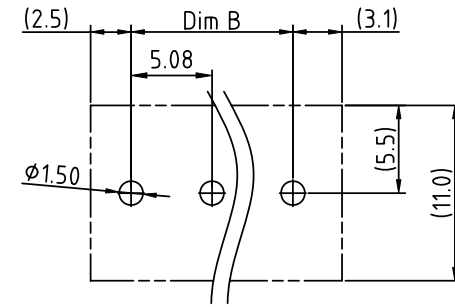
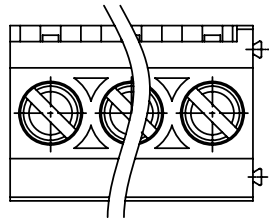
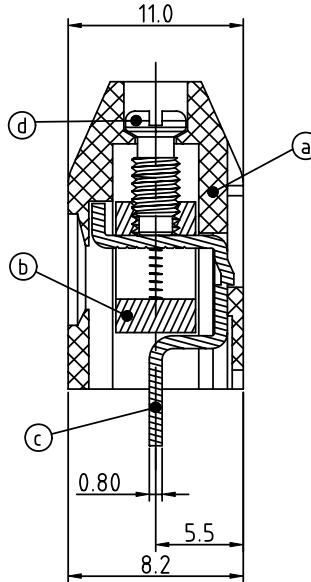
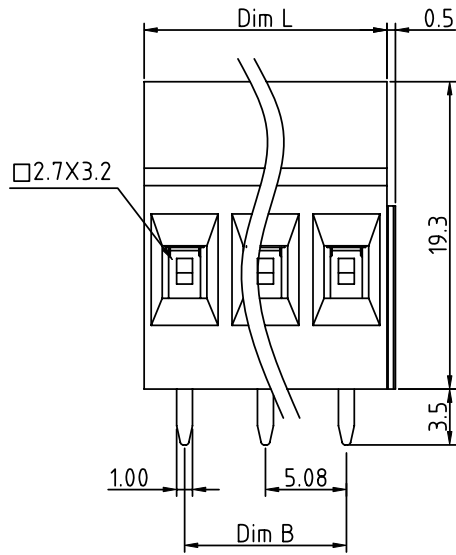


PRODUCT NUMBER	PITCH
TUxx21x000J0G	5.08 mm



RECOMMENDED P.C.B LAYOUT
TOP VIEW



Material:

- ItemⒶTerminal housing : Thermoplastic (UL 94V-0)
- ItemⒷClamp: Brass ,Ni plated
- ItemⒸSolder pin: Brass ,Tin plated
- ItemⒹTerminal screw: Steel Zinc plating"-slot type

Electrical cULus

- Voltage rating: 300VAC
- Current rating: 10A
- Wire range:
- Solid wire(AWG): 12-22
- Stranded wire(AWG): 12-22
- Torque(Lb-In): 3.5
- Screw: M3
- Wire strip length: 6-7mm
- Withstanding Voltage: 1.6KV
- Operating temperature: -40°C to +115°C
- Soldering temperature: 260°C±5°C/5 Sec
- Safety Approval: cULus

N=NUMBER OF POLES

Dim L=N×5.08
Dim B=(N-1)×5.08

Poles	DimL&B Tolerance
2P-5P	±0.10
6P-10P	±0.15
11P-15P	±0.20
16P-20P	±0.25
21P-24P	±0.30

PART NO.: TU xx 2 1 x 0 00J0 G

	Color	RoHS compliant (lead<4%) In copper Alloy
End stackable	0 Black (RAL9005)	
No. of poles	2 Red (RAL3001/D)	
02 2 poles	3 Orange(RAL2011/P)	
03 3 poles	4 Yellow(RAL1018/A)	
...	5 Green(RAL6018/T)	
24 24 poles	6 Blue (RAL5015/A)	
	8 Grey(RAL7035/D)	
	9 White(RAL1102)	
	C Green(RAL6018/U)	

mat'l. code		surface ASME Y14.5	tolerance ASME Y14.5	projection	product family	
ltr ecn no dr date		tolerances unless otherwise specified		⊕	TERMINAL BLOCK	
		angles	X.±0.5	MM	title	
		⊕	X.X±0.3		TERMINAL BLOCK	
		X'±1"	X.XX±0.1	scale	RISING CLAMP,180D WIRE INLET	
		dr	EVIN ZHONG 040814	FCI	dwg no	
		enr	EVIN ZHONG 040814		sheet 1 of 1	size
		chr	HANKE FENG 040814		TUxx21x000J0G	A4
		appd	SHI JUN 040814		type	CUSTOMER Drawing
sheet index	revision sheet	A	1			