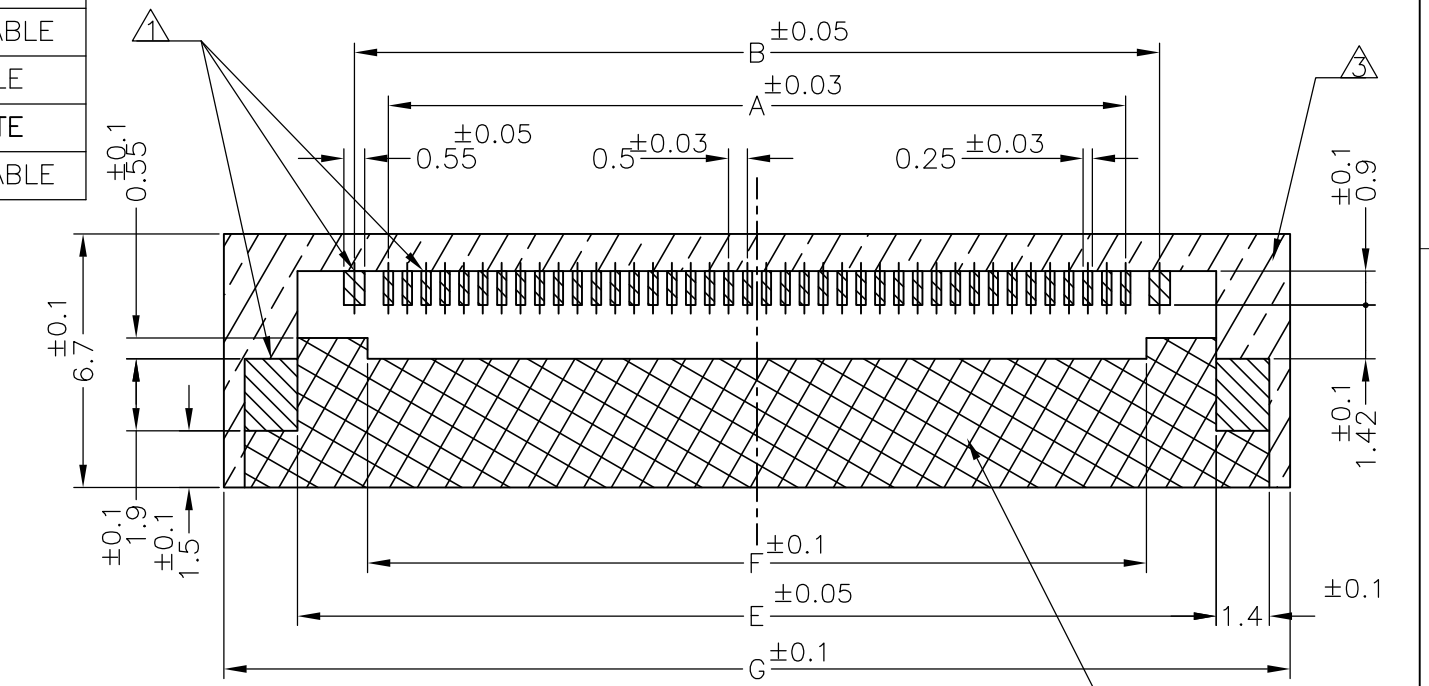
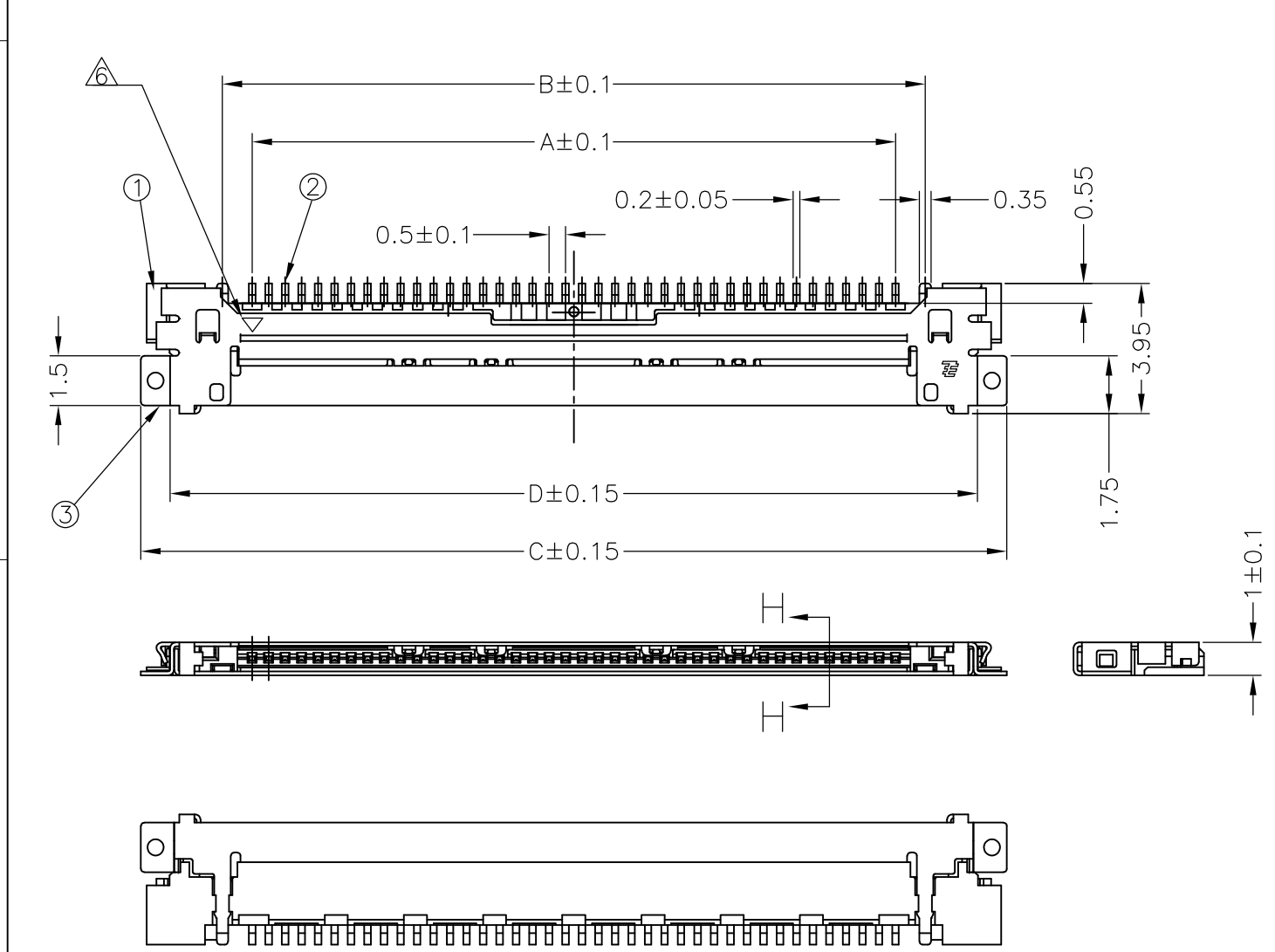


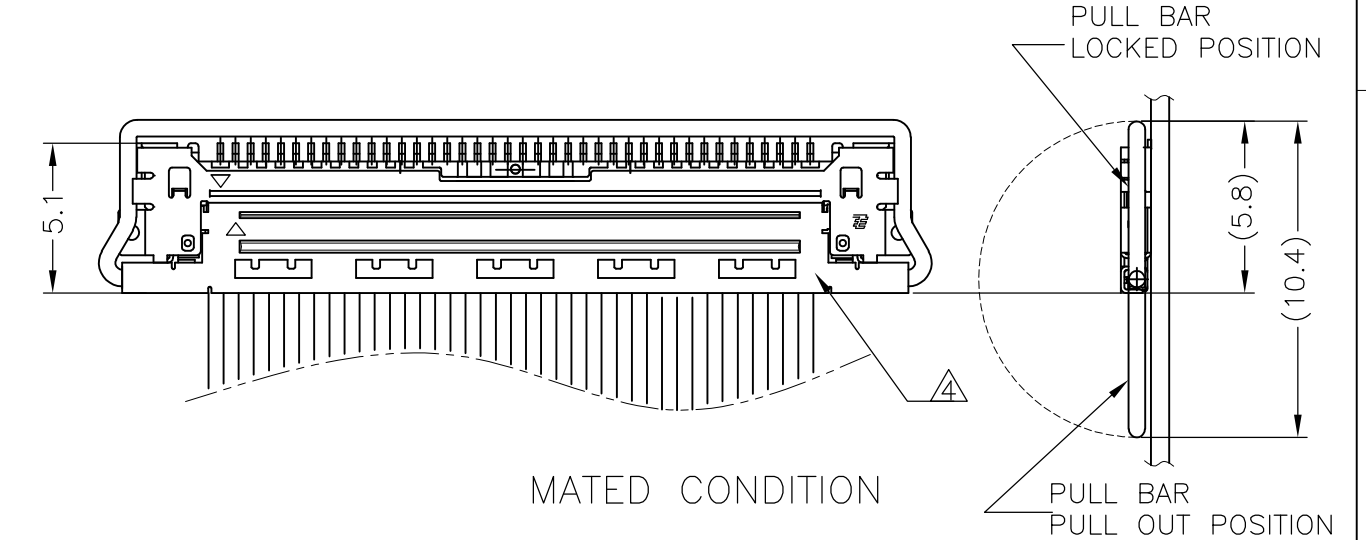
THIS DRAWING IS UNPUBLISHED.		RELEASED FOR PUBLICATION								
© COPYRIGHT - By -		ALL RIGHTS RESERVED.								
PART NO.	POS NO.	A	B	C	D	E	F	G	DATUM MARK $\triangle$	TOOLING STATUS
2069716-3	40	19.5	21.3	26.25	24.47	24.3	20.6	28.2	WITHOUT DATUM MARK	AVAILABLE
2069716-2	30	14.5	16.3	21.25	19.47	19.3	15.6	23.2		NOT AVAILABLE
2069716-1	20	9.5	11.3	16.25	14.47	14.3	10.6	18.2		NOT AVAILABLE
5-2069716-3	40	19.5	21.3	26.25	24.47	24.3	20.6	28.2	WITH DATUM MARK	AVAILABLE
<del>5-2069716-2</del>	<del>30</del>	<del>14.5</del>	<del>16.3</del>	<del>21.25</del>	<del>19.47</del>	<del>19.3</del>	<del>15.6</del>	<del>23.2</del>		<del>Ⓜ</del> OBSOLETE
5-2069716-1	20	9.5	11.3	16.25	14.47	14.3	10.6	18.2		NOT AVAILABLE

REVISIONS				
P	LTR	DESCRIPTION	DATE	APVD
	A2	REVISED (ECR-16-004581)	18APR2016	C.H A.K

5-2069716-3 AS SHOWN

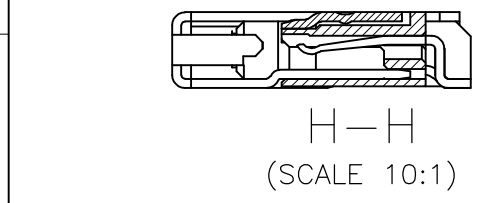


REFERENCE PWB LAYOUT

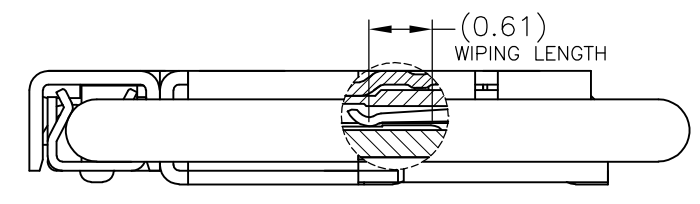


MATED CONDITION

③	SHELL	COPPER ALLOY, Au OVER Ni
②	CONTACT	COPPER ALLOY, Au OVER Ni
①	HOUSING	HIGH TEMP. THERMOPLASTIC, UL94V-0, BLACK
ITEM	PART NAME	MATERIAL & FINISH



H-H  
(SCALE 10:1)



MATED CONDITION  
(REFERENCE)

- $\triangle$  SOLDERING AREA
- $\square$  RESIST OR GND AREA
- $\square$  PULL BAR MOVEMENT AREA
- $\triangle$  THE CONNECTOR SHOULD BE PLUGGED WITH 2069715-3.
- 5. COPLANARITY 0.1MAX
- $\triangle$  DATUM MARK
- 7. INSTRUCTION SHEET 411-78355

THIS DRAWING IS A CONTROLLED DOCUMENT.		DWN Y.SHINO 18SEP2009
DIMENSIONS: mm		CHK S.KAJINUMA 18SEP2009
TOLERANCES UNLESS OTHERWISE SPECIFIED:		APVD S.KAJINUMA 18SEP2009
0 RLC ± -	1 PLC ± -	NAME
2 PLC ± -	3 PLC ± -	108-78659
4 PLC ± -	ANGLES ± -	APPLICATION SPEC
FINISH		PRODUCT SPEC
MATERIAL		WEIGHT

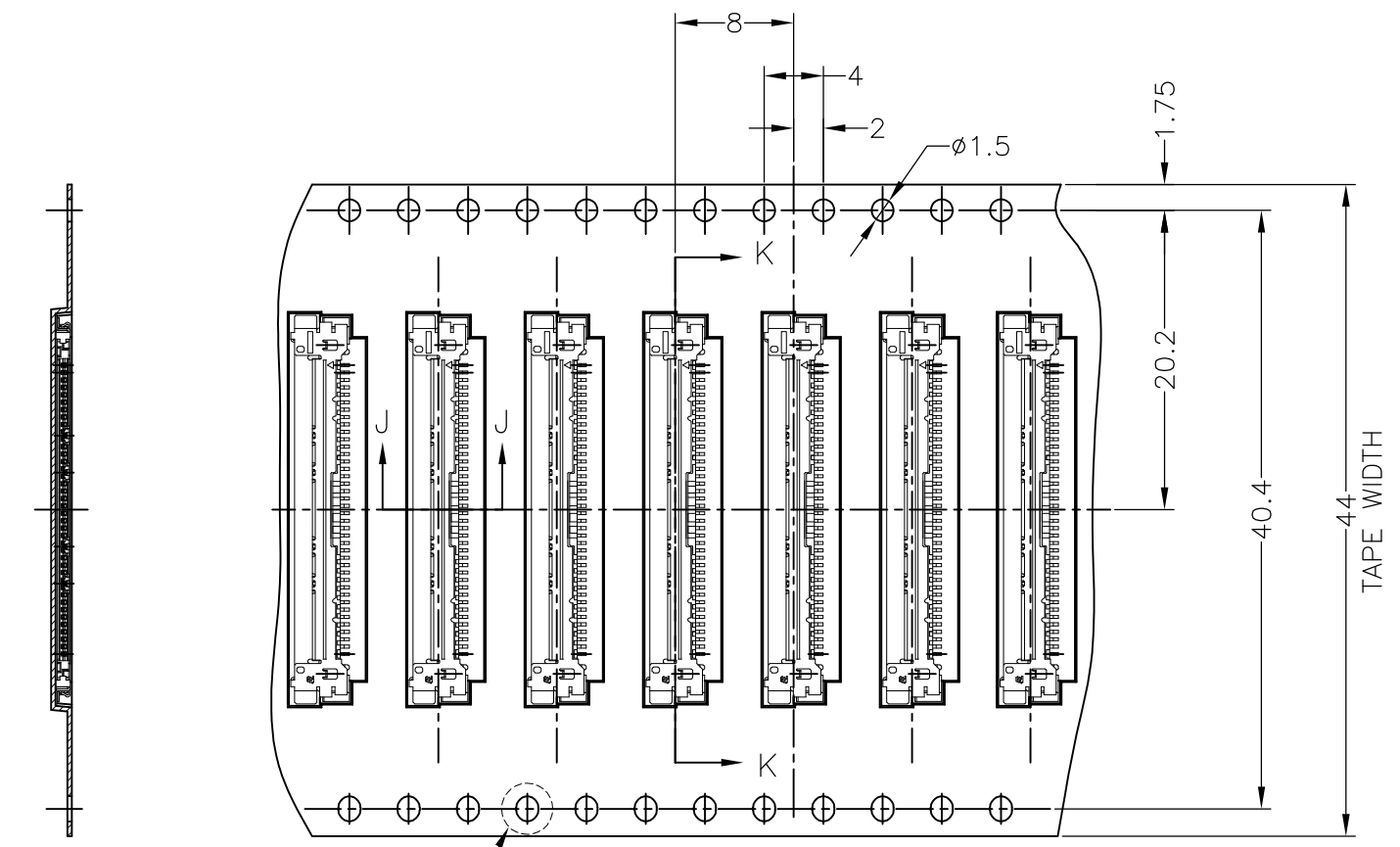
		TE Connectivity	
		LCD COAXIAL EMBEDDED DISPLAY INTERFACE (LCEDI) 0.5mm PITCH RECEPTACLE ASSEMBLY	
SIZE	CAGE CODE	DRAWING NO	RESTRICTED TO
A3	00779	C-2069716	-
CUSTOMER DRAWING		SCALE 5:1	SHEET 1 OF 2 REV A2

THIS DRAWING IS UNPUBLISHED. RELEASED FOR PUBLICATION  
 © COPYRIGHT - By - ALL RIGHTS RESERVED.

REVISIONS					
P	LTR	DESCRIPTION	DATE	DWN	APVD
-	-	SEE SHEET 1	-	-	-

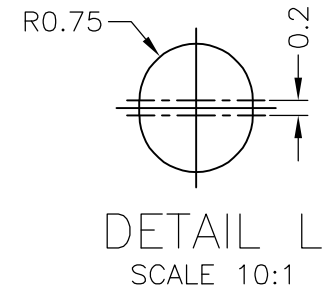
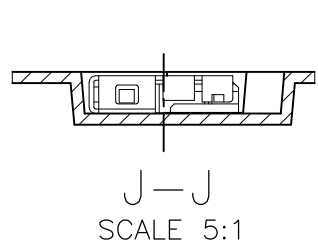
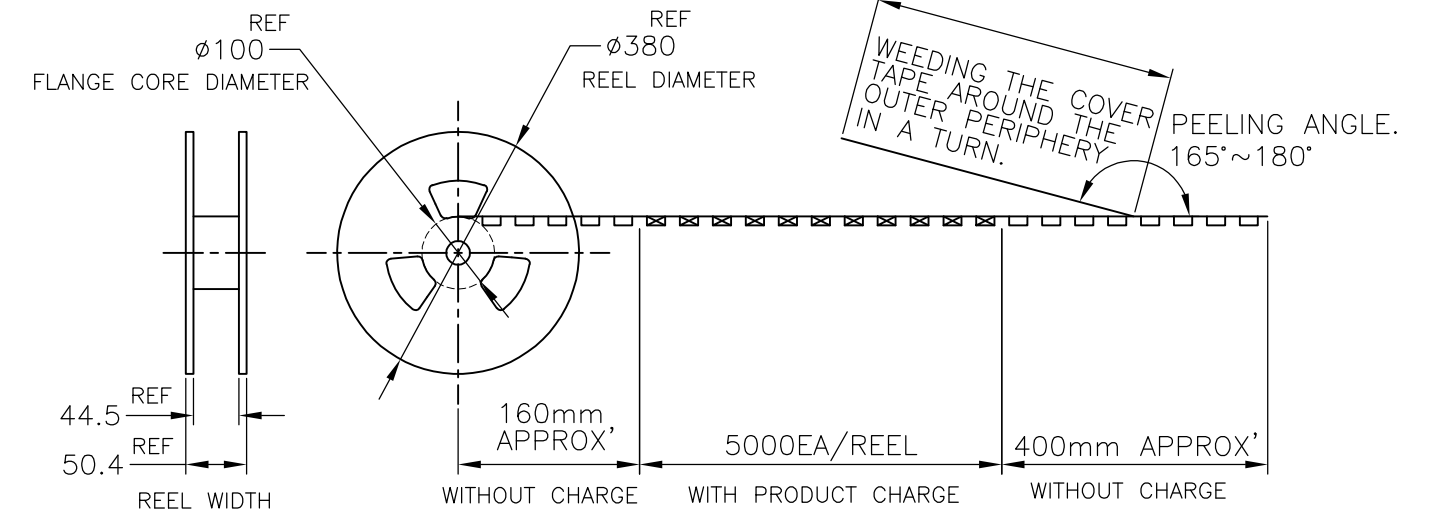
### EMBOSS PACKING CONDITION

DIRECTION OF TOP OF REEL →



K-K

DETAIL L



THIS DRAWING IS A CONTROLLED DOCUMENT.		DWN	TE Connectivity LCD COAXIAL EMBEDDED DISPLAY INTERFACE (LCEDI) 0.5mm PITCH CONNECTOR RECEPTACLE ASSEMBLY				
DIMENSIONS: mm		CHK					
TOLERANCES UNLESS OTHERWISE SPECIFIED:		APVD					
0 PLC ± 0.3 1 PLC ± 0.3 2 PLC ± 0.3 3 PLC ± 0.3 4 PLC ± - ANGLES ± 3°		PRODUCT SPEC					
MATERIAL		FINISH	APPLICATION SPEC	SIZE	CAGE CODE	DRAWING NO	RESTRICTED TO
			WEIGHT	A3	00779	C-2069716	-
CUSTOMER DRAWING			SCALE	SHEET	REV		
			2:1	2 OF 2	A2		