

1

2

3

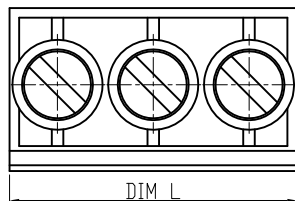
4

5

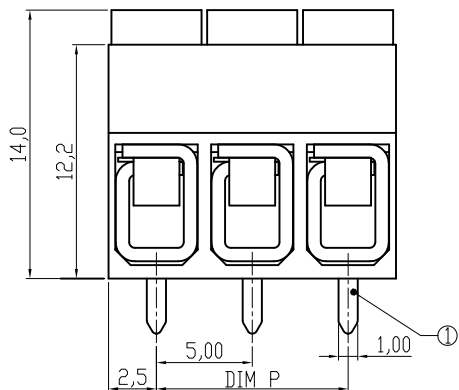
6

7

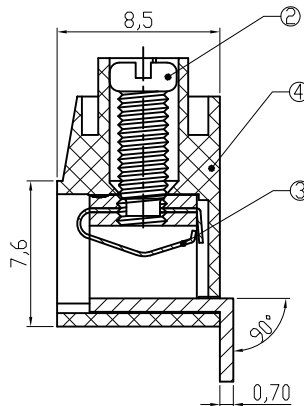
A



B



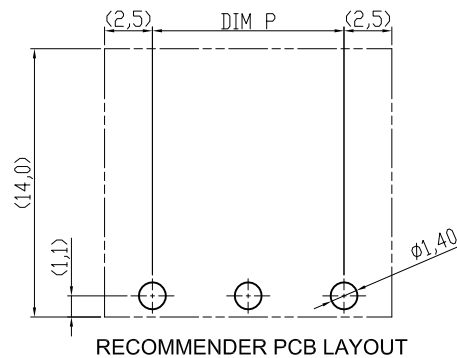
C



D

E

F



Material

- ① Terminal body(metal housing): Brass stamped, Tin plated
- ② Terminal screw: Steel Zinc plating "-" slot type
- ③ Wire guard: PhBz
- ④ Insulator (housing): Thermoplastic (UL94V-0) , GREY

Electrical UL/cUL

- Voltage rating: 300VAC/250VAC
- Current rating: 10A/15A
- Wire range:
- Solid wire(AWG): 12-22/12-20
- Stranded wire(AWG): 12-22/12-20
- Torque(Lb-In): 3.5
- Screw: M2.5
- Wire strip length: 6-7mm
- Withstanding Voltage: 1.6KV
- Operating temperature: -40°C to +115°C
- Soldering temperature: 250°C±10°C/5 Sec
- Safety Approval:



DIMENSION

L	Nx5.0
P	(N-1)x5.0

N=Number of poles

Poles	Tolerance	
	DIM L	DIM P
2p-6p	±0.15	±0.10
7p-12p	±0.20	±0.20
13p-18p	±0.30	±0.25
19p-24p	±0.40	±0.30

RoHS compliant

G

H

Scale	1:1				Date	Name	Customer-No.	
TOLERANCE					Drawn	19.04.2010	Alex	ASSMANN WSW-No. A-TB500-TLxxSB
X.	±0.50				Approved	19.04.2010	Hellwig	
X.X	±0.30							
X.XX	±0.10							
DIM	TOL				Drawing-No.			
X.°	±1°				ASSMANN		ASS 4093 CO	rev00
		①	Drawn	19.04.2010	Alex	WSW components		
Angle	TOL	Id.	Modification	Date	Name	Replace	Sheet	

A

B

C

D

E

F

G

H

1

2

3

4

5

6

7