

NOTES:

1. MATERIAL:

HOUSING : PPS
 TERMINAL: PHOSPHOR BRONZE



2.FINISH 0 - GOLD FLASH IN CONTACT AREA, 1.52um/60uin MIN. TIN IN SOLDER TAIL, BOTH OVER 0.76um/30uin MIN. NICKEL OVERALL.

1 - 0.25um/10uin MIN. GOLD IN CONTACT AREA, 1.52um/60uin MIN. TIN IN SOLDER TAIL, BOTH OVER 0.76um/30uin MIN. NICKEL OVERALL.

2 - 0.38um/15uin MIN. GOLD IN CONTACT AREA, 1.52um/60uin MIN. TIN IN SOLDER TAIL, BOTH OVER 0.76um/30uin MIN. NICKEL OVERALL.

3 - 0.76um/30uin MIN. GOLD IN CONTACT AREA, 1.52um/60uin MIN. TIN IN SOLDER TAIL, BOTH OVER 0.76um/30uin MIN. NICKEL OVERALL.

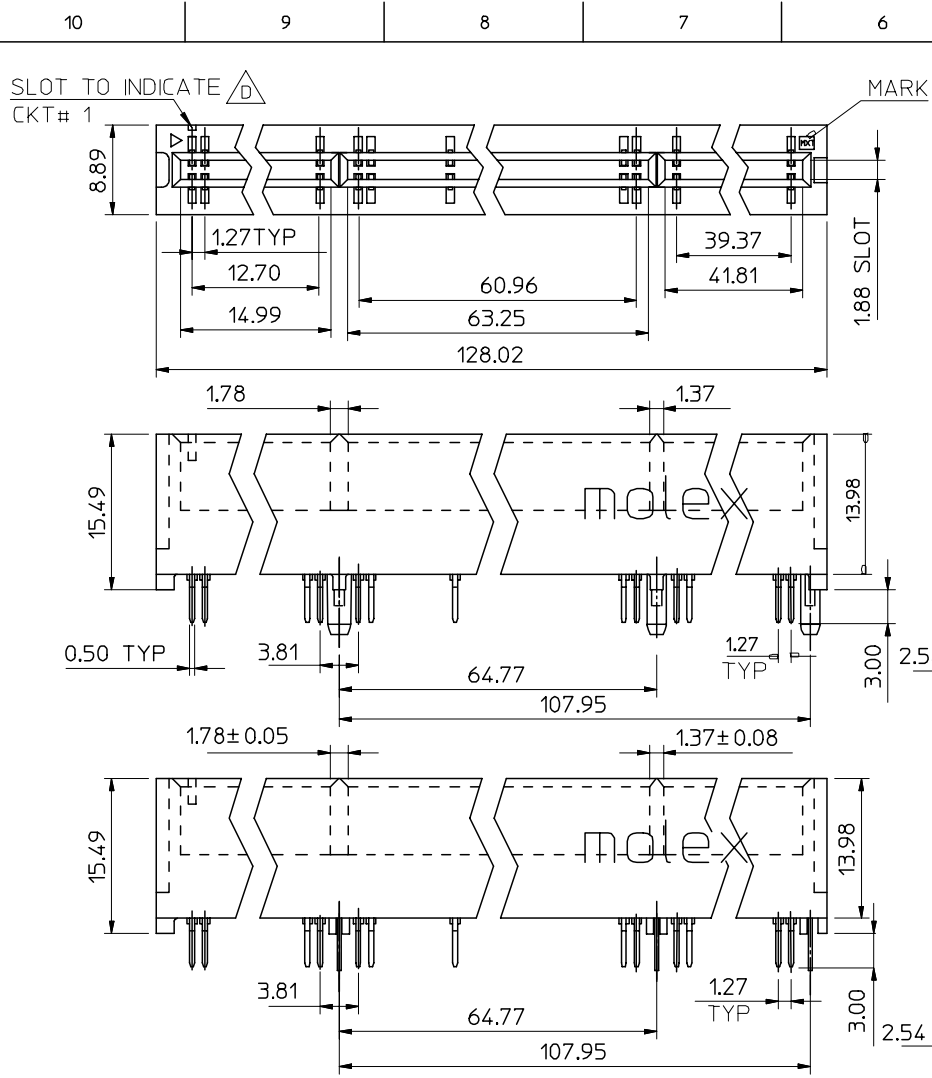
4 - 0.50um/20uin MIN. GOLD IN CONTACT AREA, 1.52um/60uin MIN. TIN IN SOLDER TAIL, BOTH OVER 0.76um/30uin MIN. NICKEL OVERALL.

- 3. PRODUCT SPECIFICATION REFER TO PS-48200-001.
- 4. PRODUCT SPECIFICATION : PER PS-48200-001
- 5. TEST SUMMARY : PER TS-48200-001
- 6. PACKAGE SPECIFICATION : PK-48200-001
- 7. LEAD FREE AND ROHS COMPLIANT PRODUCT

PART NO. LEGEND : 48200 - 92**

PEG VERSION, COLOR _____ PLATING VERSION (REFER TO NOTES 2)
 0:STANDARD , BROWN , 5V, PLASTIC PEG
 1:STANDARD , WHITE , 5V, PLASTIC PEG
 5:STANDARD , WHITE , 5V, METAL PEG

DRAWING ERROR	EC NO:	2007/03/05	QUALITY SYMBOLS	GENERAL TOLERANCES (UNLESS SPECIFIED)		DIMENSION STYLE		SCALE	DESIGN UNITS	THIRD ANGLE PROJECTION		
	DRWN:ALLIN	2007/03/09		mm	INCH	MM ONLY		2:1	METRIC			
	CHKD:	2007/03/13		4 PLACES	± ---	± ---	DRAWN BY	DATE	TITLE			
	APPR:WWSCHANG	2007/03/13		3 PLACES	± ---	± ---	TOM	2005/02/04	ASS'Y 1.27MM EDGE CARD CONN 184 CKT (3.3V & 5V)			
REV	DESCRIPTION		▽=0	2 PLACES	± 0.25	± ---	CHECKED BY	DATE	MOLEX INCORPORATED			
			△=0	1 PLACE	± 0.25	± ---	ALL IN	2005/02/04				DOCUMENT NO.
				ANGULAR ± 3 °		APPROVED BY		DATE	SD-48200-001		1 OF 4	
				DRAFT WHERE APPLICABLE MUST REMAIN WITHIN DIMENSIONS		MATERIAL NO.		SEE TABLE				
						SIZE		THIS DRAWING CONTAINS INFORMATION THAT IS PROPRIETARY TO MOLEX INCORPORATED AND SHOULD NOT BE USED WITHOUT WRITTEN PERMISSION				



NOTES:

1. MATERIAL:

HOUSING : PPS
 TERMINAL: PHOSPHOR BRONZE



- 2.FINISH 0 - GOLD FLASH IN CONTACT AREA, 1.52um/60uin MIN. TIN IN SOLDER TAIL, BOTH OVER 0.76um/30uin MIN. NICKEL OVERALL.
 1 - 0.25um/10uin MIN. GOLD IN CONTACT AREA, 1.52um/60uin MIN. TIN IN SOLDER TAIL, BOTH OVER 0.76um/30uin MIN. NICKEL OVERALL.
 2 - 0.38um/15uin MIN. GOLD IN CONTACT AREA, 1.52um/60uin MIN. TIN IN SOLDER TAIL, BOTH OVER 0.76um/30uin MIN. NICKEL OVERALL.
 3 - 0.76um/30uin MIN. GOLD IN CONTACT AREA, 1.52um/60uin MIN. TIN IN SOLDER TAIL, BOTH OVER 0.76um/30uin MIN. NICKEL OVERALL.
 4 - 0.50um/20uin MIN. GOLD IN CONTACT AREA, 1.52um/60uin MIN. TIN IN SOLDER TAIL, BOTH OVER 0.76um/30uin MIN. NICKEL OVERALL.

3. PROCUDT SPECIFICATION REFER TO PS-48200-001.
 4. PRODUCT SPECIFICATION : PER PS-48200-001
 5. TEST SUMMARY : PER TS-48200-001
 6. PACKAGE SPECIFICATION : PK-48200-001
 7. LEAD FREE AND ROHS COMPLIANT PRODUCT

PART NO. LEGEND : 48200 - 92**

- PEG VERSION, COLOR _____ PLATING VERSION (SEE NOTES 2)
 2 : STANDARD , BROWN , 3.3V, PLASTIC PEG
 3 : STANDARD , WHITE , 3.3V, PLASTIC PEG
 4 : STANDARD , RED , 3.3V, PLASTIC PEG
 6 : STANDARD , WHITE, 3.3V, METAL PEG
 7 : STANDARD , GREEN , 3.3V, PLASTIC PEG (PANTON COLOR 365C)
 8 : STANDARD , BLACK , 3.3V, PLASTIC PEG

SEE SHEET 1	DESCRIPTION
EC NO: SH2007-0620	
DRWN:ALLIN	
CHKD:	
APPR:WWSCHANG	
REV	

QUALITY SYMBOLS	DESCRIPTION
▽=0	
△=0	

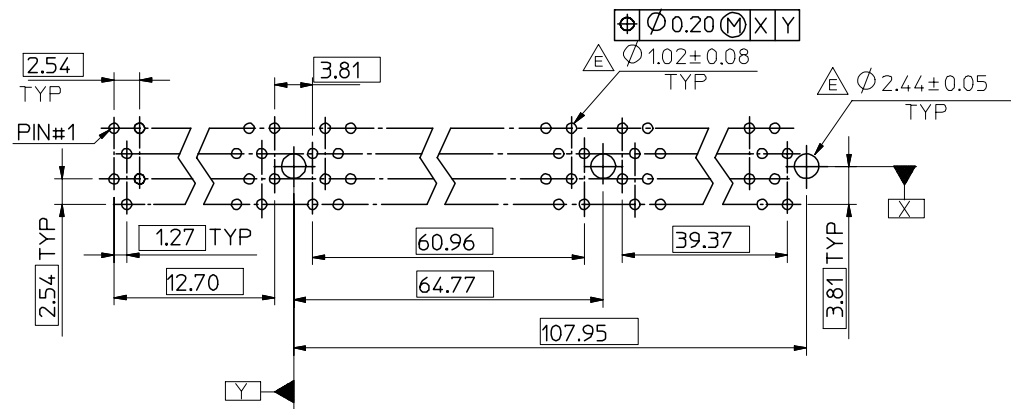
GENERAL TOLERANCES (UNLESS SPECIFIED)	
mm	INCH
4 PLACES ± ---	± ---
3 PLACES ± ---	± ---
2 PLACES ± 0.25	± ---
1 PLACE ± 0.25	± ---
ANGULAR ± 3 °	
DRAFT WHERE APPLICABLE MUST REMAIN WITHIN DIMENSIONS	

DIMENSION STYLE MM ONLY	
DRAWN BY	DATE
TOM	2005/02/04
CHECKED BY	DATE
ALL IN	2005/02/04
APPROVED BY	DATE
WWSCHANG	2005/02/04
MATERIAL NO.	
SEE TABLE	

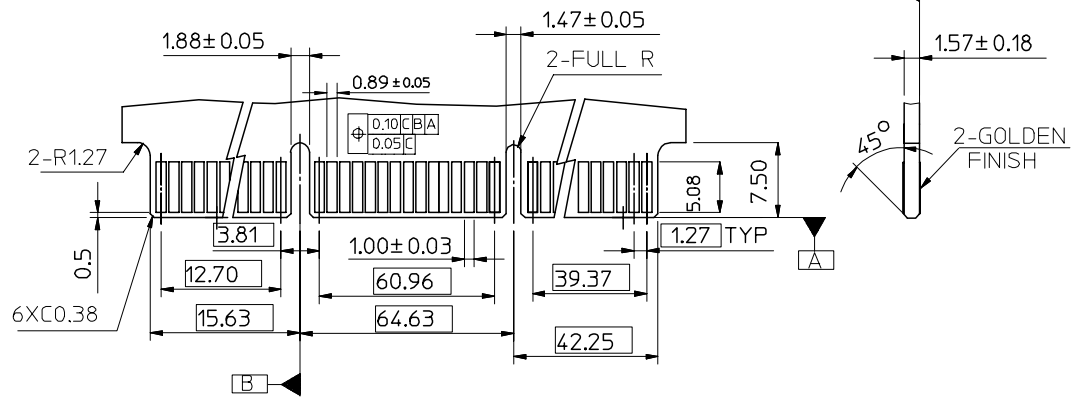
SCALE 2:1	DESIGN UNITS METRIC	THIRD ANGLE PROJECTION
TITLE ASS'Y 1.27MM EDGE CARD CONN 184 CKT (3.3V & 5V)		
MOLEX INCORPORATED		
DOCUMENT NO. SD-48200-001		SHEET NO. 3 OF 4
THIS DRAWING CONTAINS INFORMATION THAT IS PROPRIETARY TO MOLEX INCORPORATED AND SHOULD NOT BE USED WITHOUT WRITTEN PERMISSION		

10 9 8 7 6 5 4 3 2 1

F
E
D
C
B
A



RECOMMENDED P.C BOARD PATTERN



RECOMMENDED MATING P.C. BOARD EDGE CONFIGURATION

SEE SHEET 1 EC NO: SH2007-0620 DRWN: ALLIN CHKD: APPR: WWSCHANG	2007/03/05 2007/03/09 2007/03/13	DESCRIPTION REV	QUALITY SYMBOLS	GENERAL TOLERANCES (UNLESS SPECIFIED)		DIMENSION STYLE		SCALE	DESIGN UNITS	THIRD ANGLE PROJECTION			
			$\nabla = 0$ $\nabla C = 0$	mm	INCH	MM ONLY	2:1	METRIC	DRAWN BY: TOM DATE: 2005/02/04 CHECKED BY: ALL IN DATE: 2005/02/04 APPROVED BY: WWSCHANG DATE: 2005/02/04		TITLE: ASS'Y 1.27MM EDGE CARD CONN 184 CKT (3.3V & 5V)		
			4 PLACES ± --- ± --- 3 PLACES ± --- ± --- 2 PLACES ± 0.25 ± --- 1 PLACE ± 0.25 ± --- ANGULAR ± 3 °	DRAFT WHERE APPLICABLE MUST REMAIN WITHIN DIMENSIONS		SEE TABLE		MATERIAL NO. DOCUMENT NO. SD-48200-001		MOLEX INCORPORATED		SHEET NO. 4 OF 4	
			THIS DRAWING CONTAINS INFORMATION THAT IS PROPRIETARY TO MOLEX INCORPORATED AND SHOULD NOT BE USED WITHOUT WRITTEN PERMISSION										

9 8 7 6 5 4 3 2 1