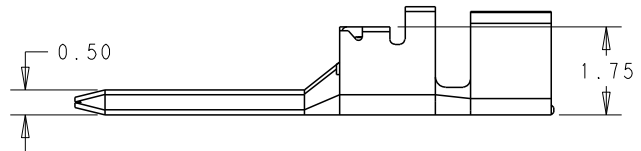
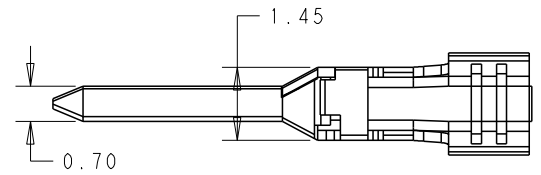
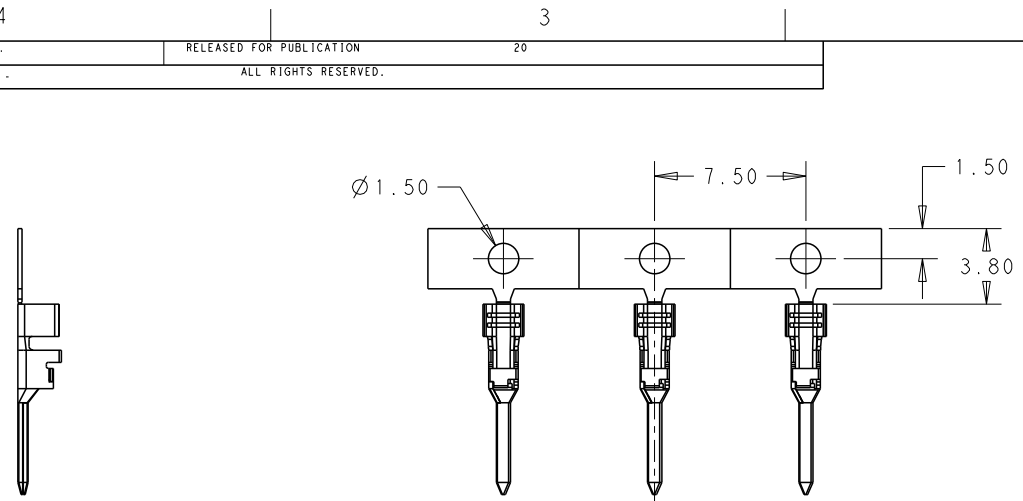



THIS DRAWING IS UNPUBLISHED. RELEASED FOR PUBLICATION 20
 © COPYRIGHT 20 BY - ALL RIGHTS RESERVED.

REVISIONS				
P	LTR	DESCRIPTION	DATE	DWN APVD
	A	INITIAL RELEASED	1 JUN 2015	N. WX. X



- NOTES
- ① MATERIAL: PHOSPHOR BRONZE, THICKNESS: 0.20±0.01mm
 - ② FINISH: NICKEL PLATED ALL OVER
GOLD PLATED AT CONTACT AREA
 - ③ WIRE SIZE: 22AWG~18AWG (0.32mm²~0.75mm²)

① ②	2271283-2
MATERIAL/FINISH	P/N

THIS DRAWING IS A CONTROLLED DOCUMENT.		DWN	10-Jun-15		 TE Connectivity
		CHK	10-Jun-15		
		APVD	10-Jun-15		
		NAME	Xiang Xu		
DIMENSIONS:		PRODUCT SPEC	TAB TERMINAL		
mm		APPLICATION SPEC	FOR MICRO MOTOR POWER CONNECTOR		
TOLERANCES UNLESS OTHERWISE SPECIFIED:		SIZE	CAGE CODE	DRAWING NO	RESTRICTED TO
0 PLC	±-	A3	-	©=2271283	-
1 PLC	±-	WEIGHT		-	
2 PLC	±0.20	Customer Drawing		SCALE	4:1
3 PLC	±-			SHEET	1 OF 1
4 PLC	±-			REV	A
ANGLES	±-				
FINISH	-				