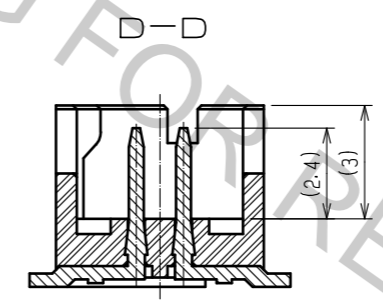
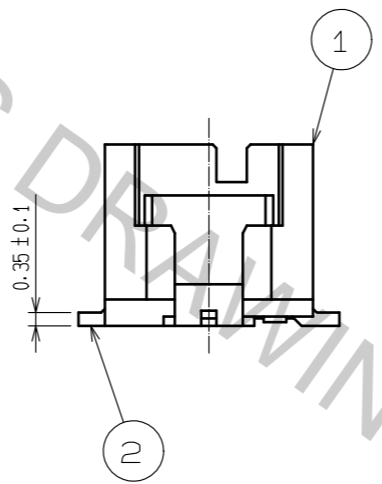
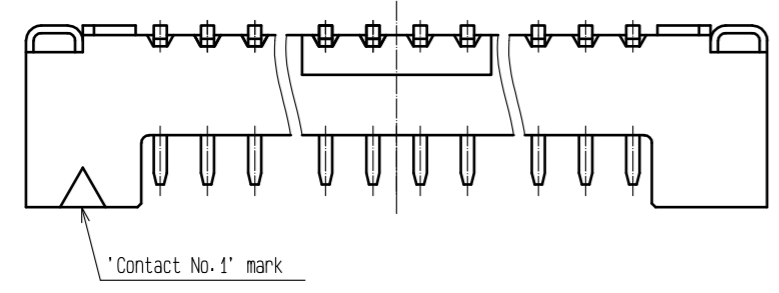
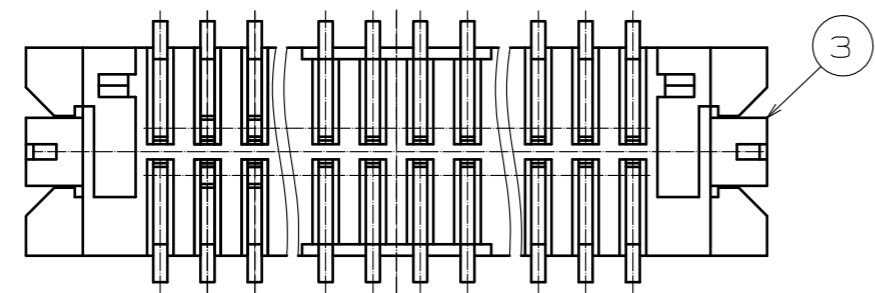
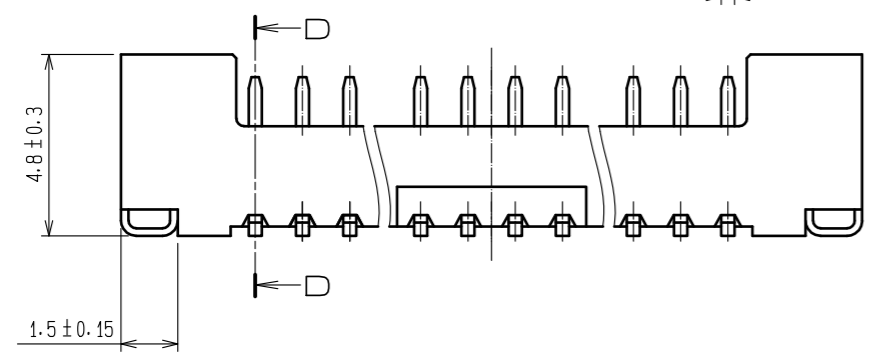
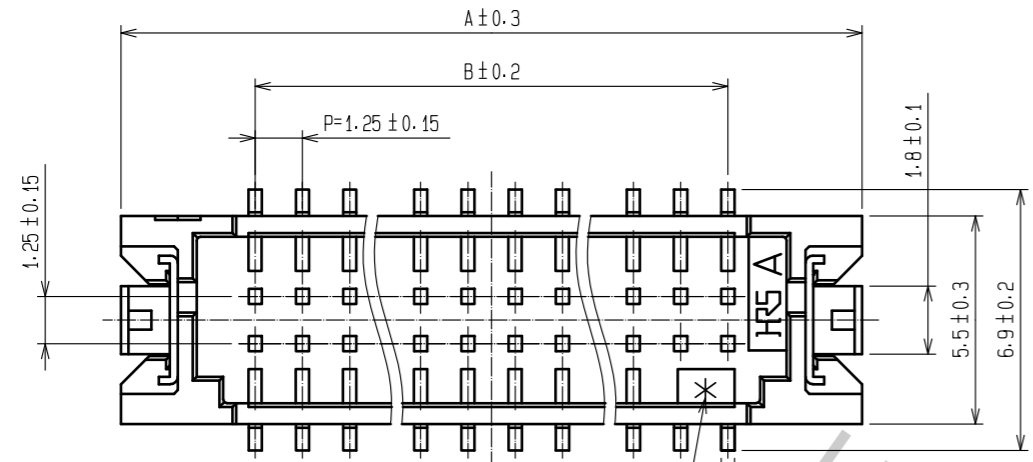
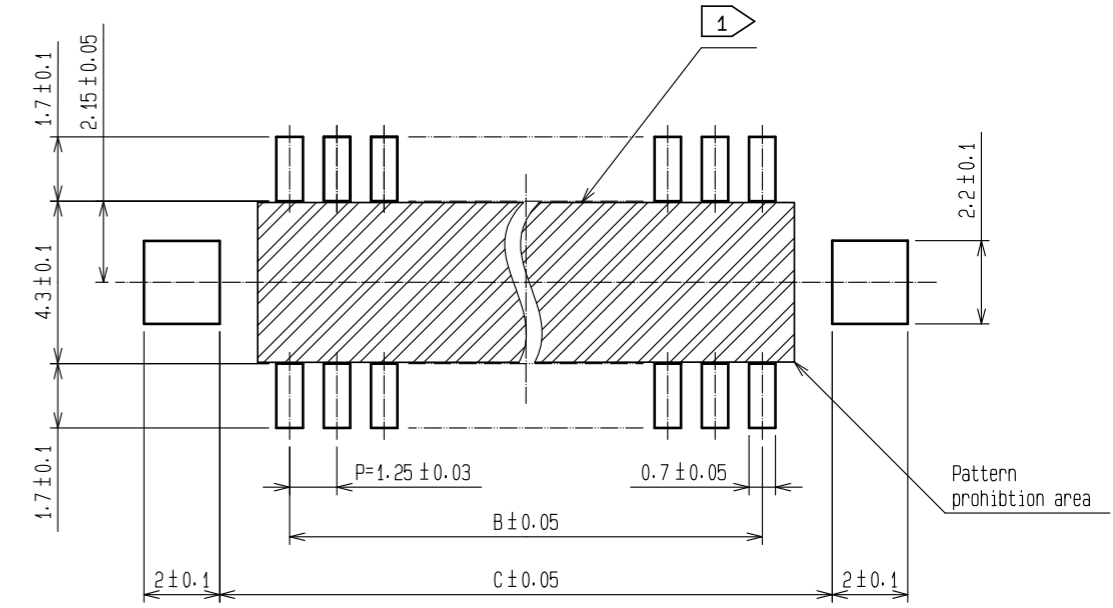


Aug.1.2018 Copyright 2018 HIROSE ELECTRIC CO., LTD. All Rights Reserved.
 In case that the application demands a high level of reliability, such as automotive,
 please contact a company representative for further information.

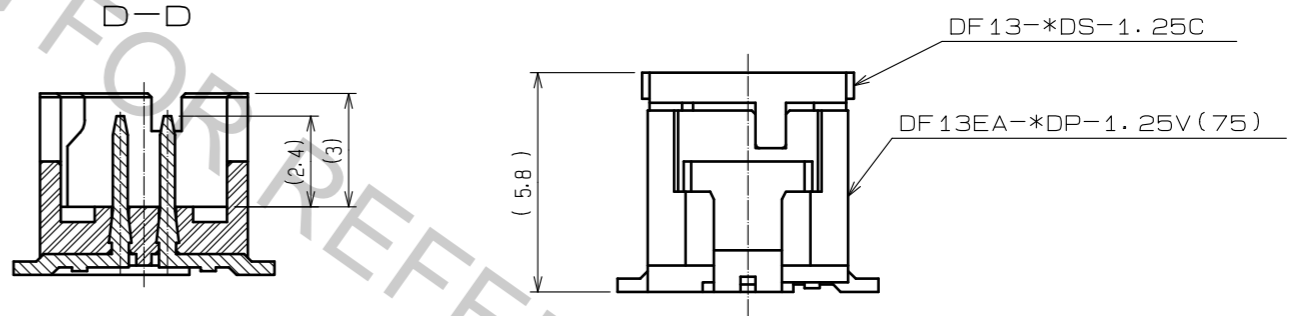


NOTES 1: If there are pattern and a bia hole on part, there is a possibility that it will make contact with the leads.
 2: Lead co-planality include reinforced metal fittings shall be 0.1mm MAX.

Recommended pattern



Mated connectors



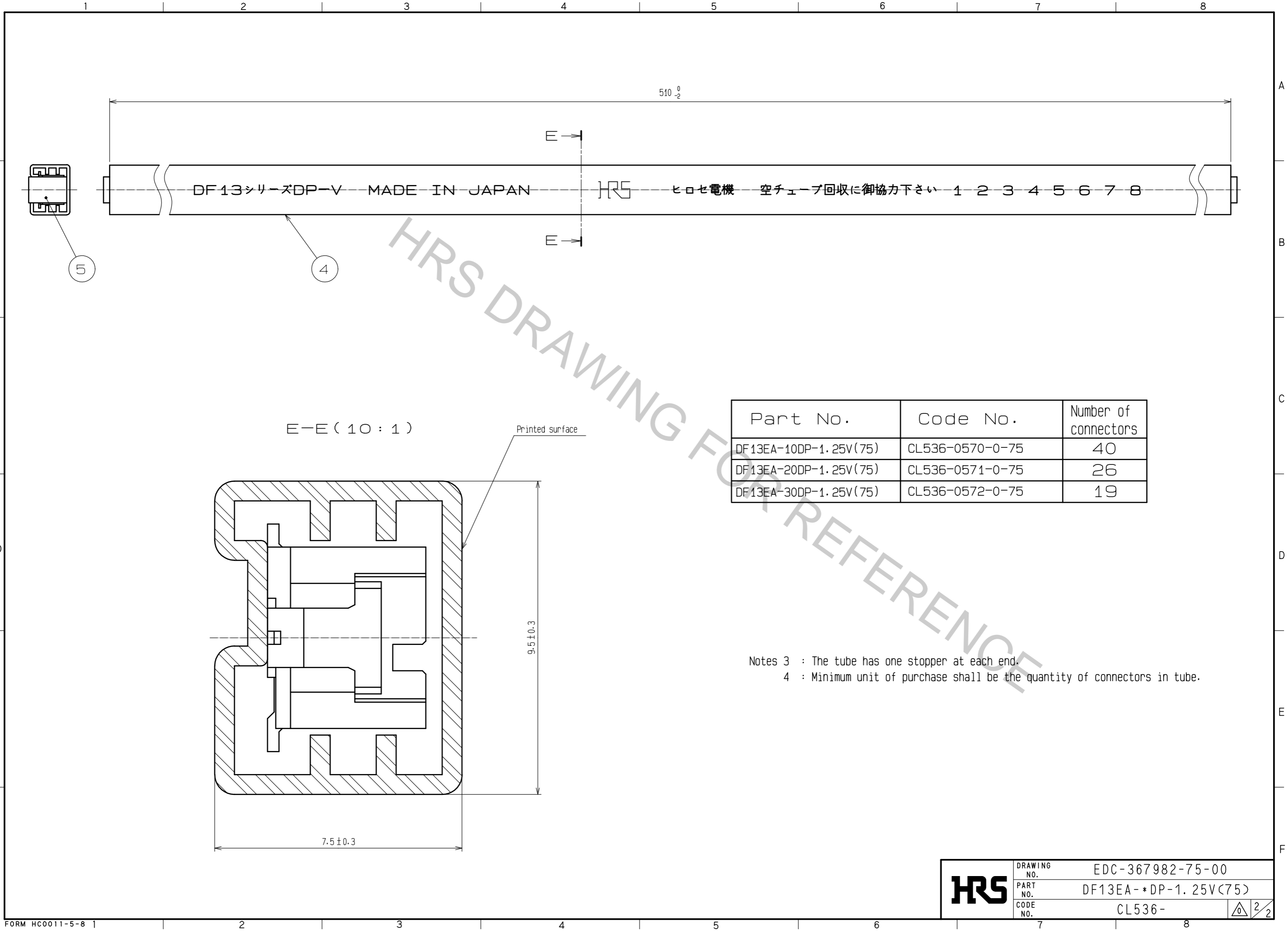
Part No.	Number of contacts	Code No.	A	B	C
DF 13EA-10DP-1.25V(75)	10	CL536-0570-0-75	12.1	5.0	8.7
DF 13EA-20DP-1.25V(75)	20	CL536-0571-0-75	18.35	11.25	14.95
DF 13EA-30DP-1.25V(75)	30	CL536-0572-0-75	24.60	17.50	21.20

NO.	MATERIAL	FINISH . REMARKS	NO.	MATERIAL	FINISH . REMARKS
2	Brass	Surface: Tin-copper plated 1μm MIN Under plating: Nickel 0.5μm MIN	5	S. PVC	Gray
1	Polyamide	Beige. UL94V-0	4	R. PVC	Electrostatic protection
			3	Phosphor bronze	Tin plated 1μm MIN

UNITS	SCALE	COUNT	DESCRIPTION OF REVISIONS	DESIGNED	CHECKED	DATE
mm	5 : 1	△	APPROVED : HS. OKAWA 18.02.16			
			CHECKED : TS. FUKUSHIMA 18.02.16			
			DESIGNED : TS. KUMAZAWA 18.02.16			
			DRAWN : MK. INOUE 18.02.16			

DRAWING NO.	PART NO.	CODE NO.
EDC-367982-75-00	DF13EA-*DP-1.25V(75)	CL536-

Aug.1.2018 Copyright 2018 HIROSE ELECTRIC CO., LTD. All Rights Reserved.
 In case that the application demands a high level of reliability, such as automotive,
 please contact a company representative for further information.



Part No.	Code No.	Number of connectors
DF13EA-10DP-1.25V(75)	CL536-0570-0-75	40
DF13EA-20DP-1.25V(75)	CL536-0571-0-75	26
DF13EA-30DP-1.25V(75)	CL536-0572-0-75	19

Notes 3 : The tube has one stopper at each end.
 4 : Minimum unit of purchase shall be the quantity of connectors in tube.

HRS	DRAWING NO.	EDC-367982-75-00
	PART NO.	DF13EA-*DP-1.25V(75)
	CODE NO.	CL536-