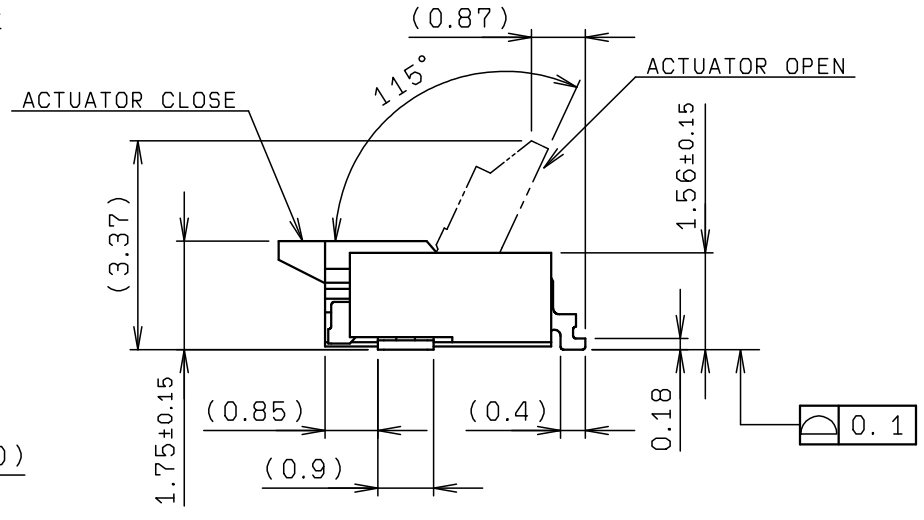
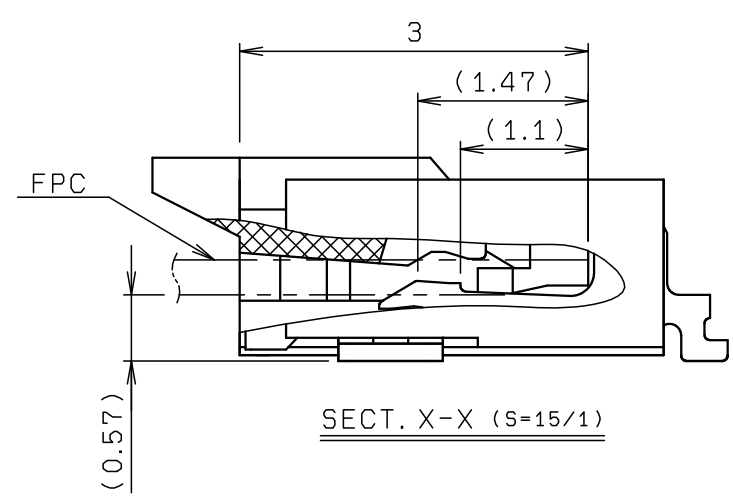
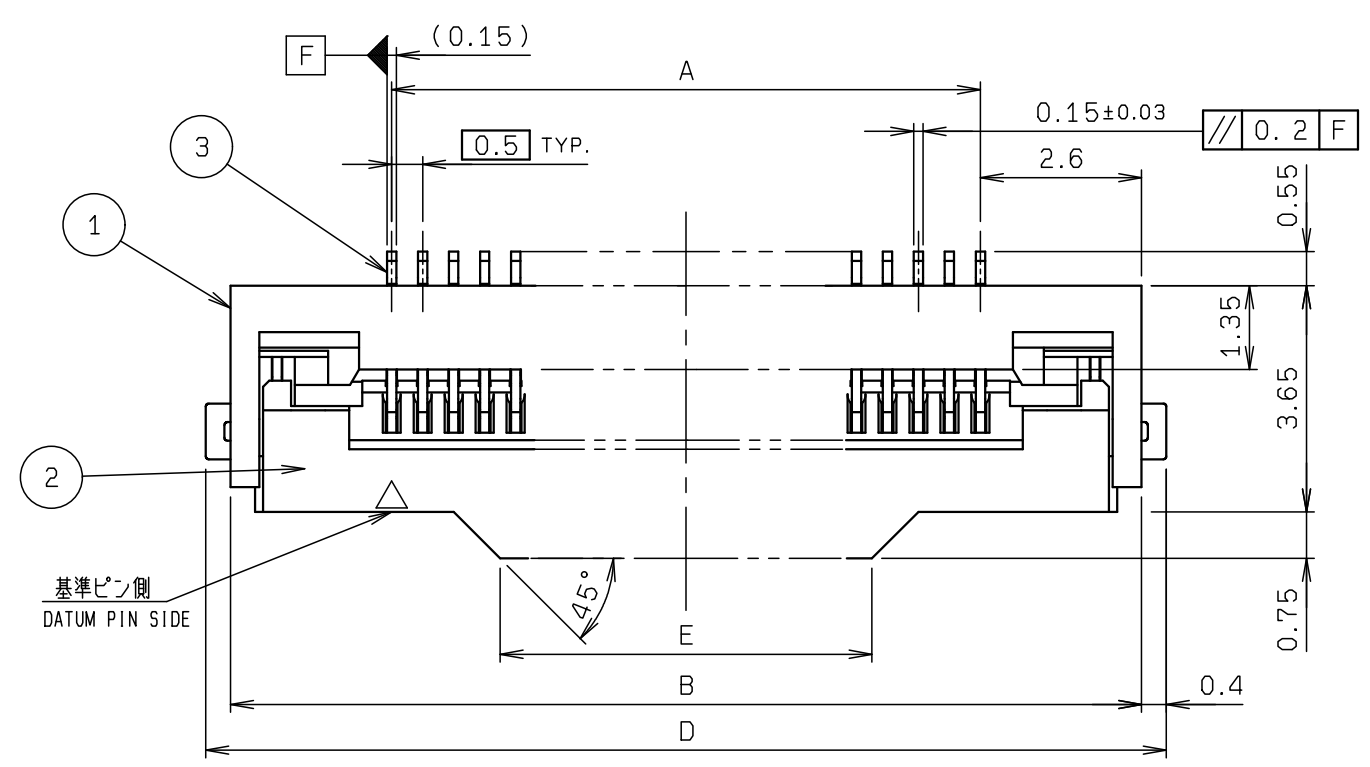
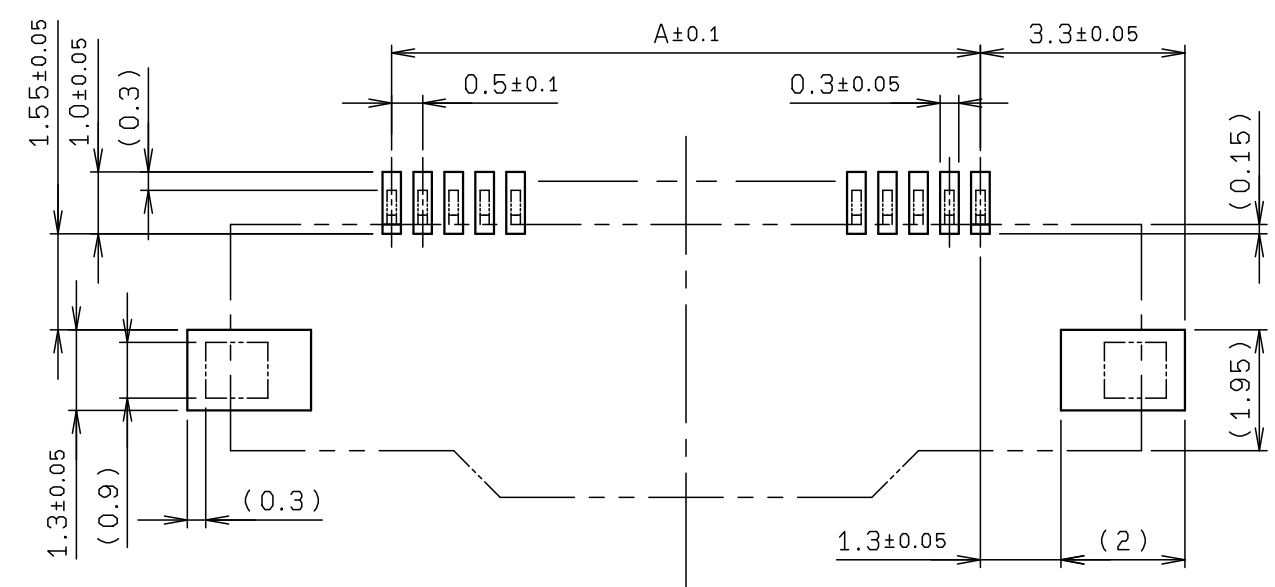
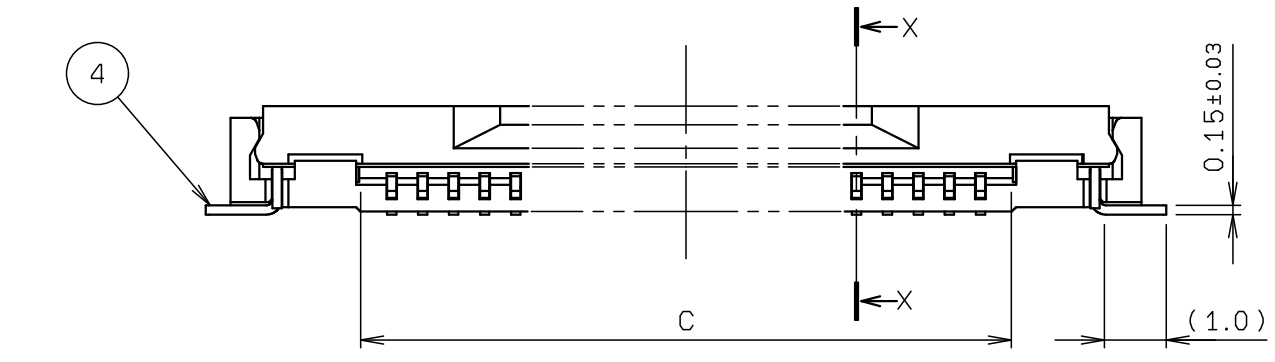


NO.	DESCRIPTION	PART NO.	QTY	MATERIAL	DRW NO.	REMARKS
1	INSULATOR		1	HEAT RESISTANCE PLASTIC		COLOR: WHITE UL94V-0
2	ACTUATOR		1	HEAT RESISTANCE PLASTIC		COLOR: BLACK UL94V-0
3	CONTACT		N	PHOS-BRONZE		t=0.15 AU PLATING
4	ANCHOR PLATE		2	PHOS-BRONZE		t=0.15 Sn-Cu PLATING



極数 NO. OF POS.	A	B	C	D	E
12	5.5	10.7	6.55	11.5	4.85
14	6.5	11.7	7.55	12.5	5.85
20	9.5	14.7	10.55	15.5	6.0
21	10.0	15.2	11.05	16.0	6.5
26	12.5	17.7	13.55	18.5	9.0
30	14.5	19.7	15.55	20.5	11.0
35	17.0	22.2	18.05	23.0	13.5
40	19.5	24.7	20.55	25.5	16.0
45	22.0	27.2	23.05	28.0	18.5
50	24.5	29.7	25.55	30.5	21.0
60	29.5	34.7	30.55	35.5	26.0
70	34.5	39.7	35.55	40.5	31.0
80	39.5	44.7	40.55	45.5	36.0

※この表は1, 2ページ目にのみ適用
 ※THIS CHART IS APPLICABLE TO SHEET-1 AND SHEET-2 ONLY.



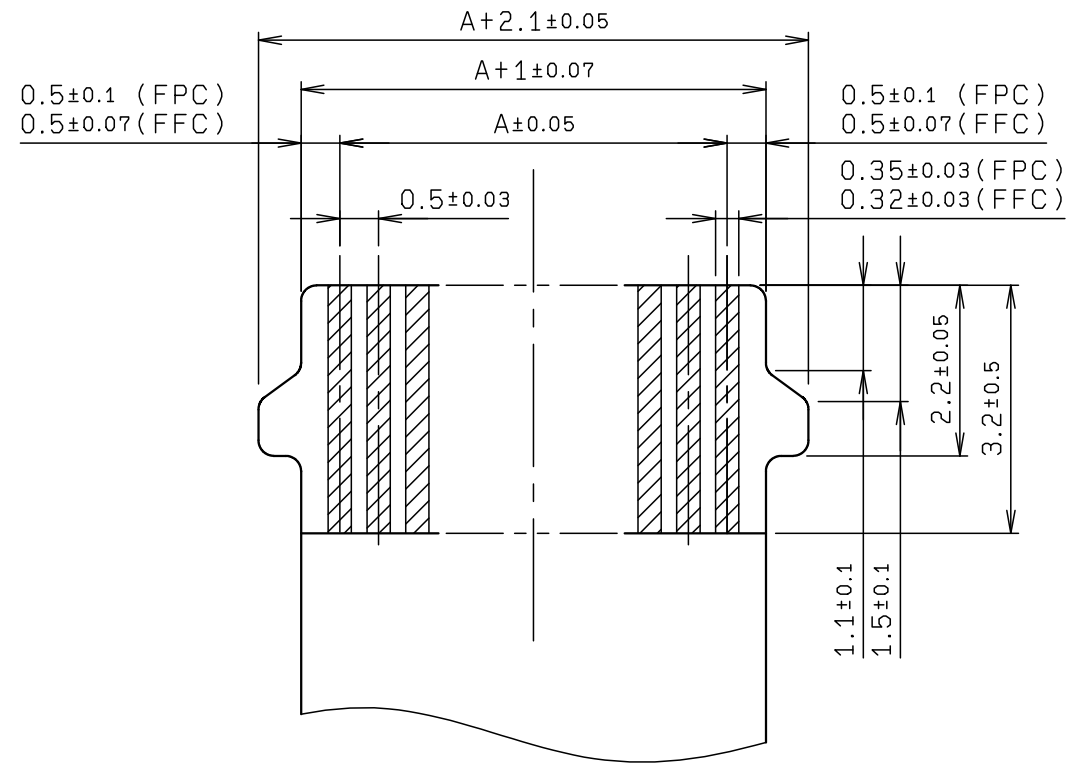
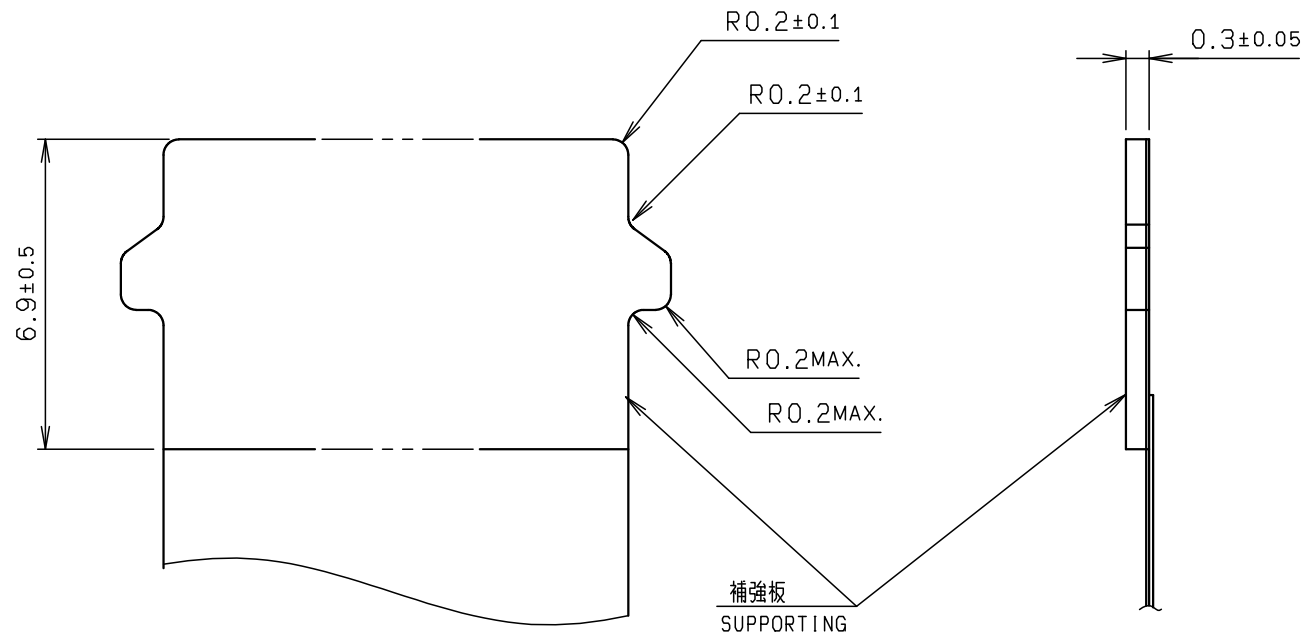
基板取付寸法
MOUNTING LAYOUT

ROHS規制対応
COMPLIANT WITH
ROHS REGULATIONS

TOLERANCE / 一般公差(S)		PRODUCT SPEC / 製品規格		H	DCN-002	1-15-15			
X < 10	±0.2			G	DCN-1233	11-05-14	M. SEKI	N. KITAGAWA	Y. FUJII
10 ≤ X < 30	±0.25	UNIT	ANGLE	O	EDN-133	3-07-13	T. MAKABE		Y. FUJII
30 ≤ X	±0.3	mm	3RD	NO.	EDN/DCN	DATE	ISSUE	CHECKED	APPROVED
ANGLE / 角度	±3°	SCALE	DATE	PART NAME / 品名					
		N/S	3-07-13	FPC ASSY RA SMT 0.5mm PITCH ZIF TYPE BOTTOM CONTACT					
DRAWN	DESIGNED	CHECKED	APPROVED	PART NO. / 型番					
M. TAKAHASHI	T. MAKABE		Y. FUJII	04 6806 OXX 000 846 +					
KYOCERA KYOCERA Connector Products Corporation				DWG NO. / 図番		SHEET/REV			
				BJS 6806006		1/3 H			

NO.	DESCRIPTION	PART NO.	QTY	MATERIAL	DRW NO.	REMARKS
-----	-------------	----------	-----	----------	---------	---------

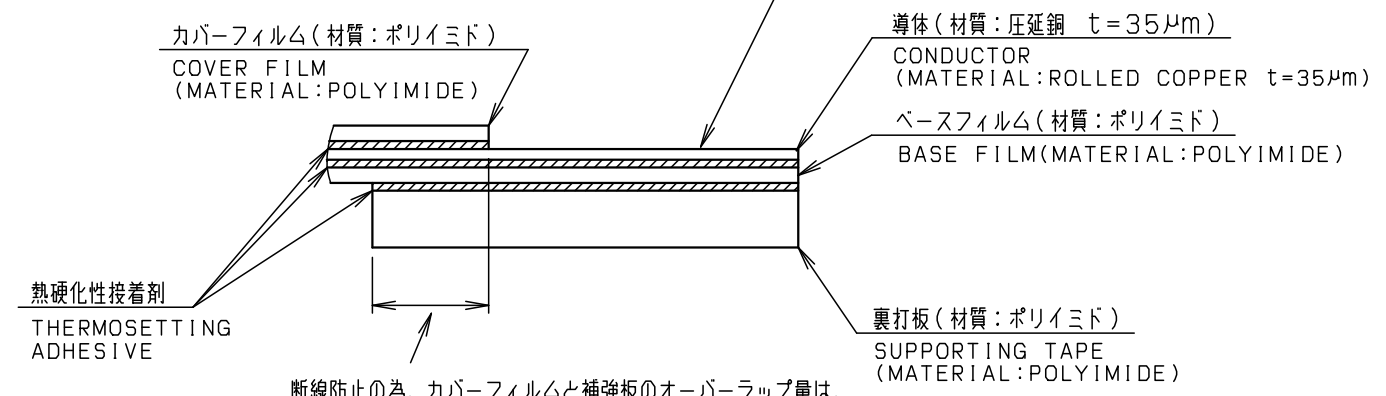
ROHS規制対応
COMPLIANT WITH
ROHS REGULATIONS



(推奨仕様)

FPC構成
FPC STRUCTURE

表面処理 PLATING	仕様 SPECIFICATION
金めっき AU PLATING	Ni UNDER COAT: 3±3μm AU: 0.06±0.03μm

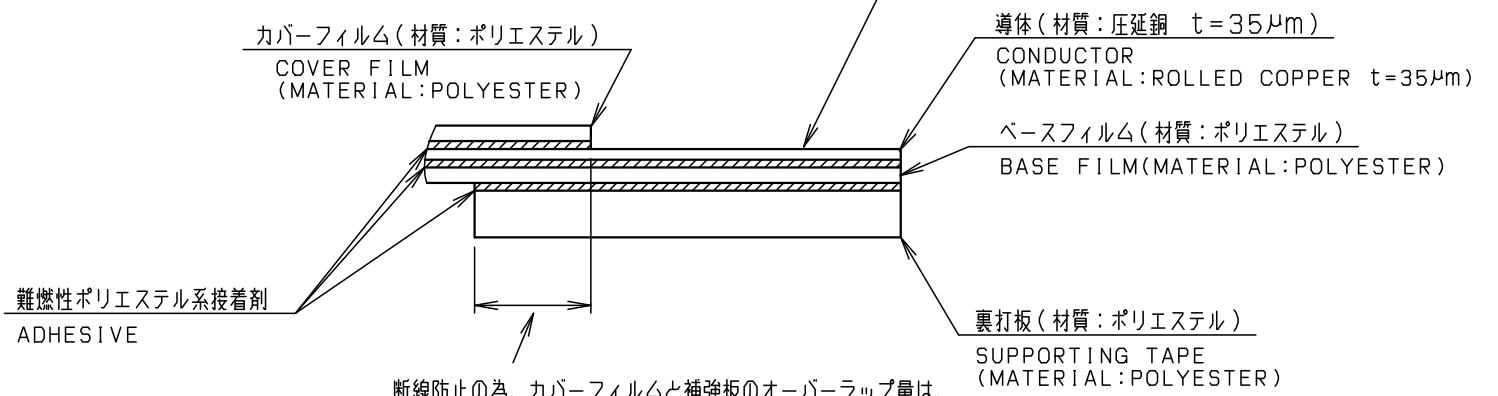


断線防止の為、カバーフィルムと補強板のオーバーラップ量は、1mm以上とする事を推奨します。
IN ORDER TO PREVENT OPEN CIRCUIT, 1mm OR MORE OF THE COVER FILM AND THE SUPPORTING PLATE SHALL BE OVERLAPPED.

(推奨仕様)

FCC構成
FCC STRUCTURE

表面処理 PLATING	仕様 SPECIFICATION
金めっき AU PLATING	Ni UNDER COAT: 0.5μmMIN. AU: 0.05μmMIN.



断線防止の為、カバーフィルムと補強板のオーバーラップ量は、1mm以上とする事を推奨します。
IN ORDER TO PREVENT OPEN CIRCUIT, 1mm OR MORE OF THE COVER FILM AND THE SUPPORTING PLATE SHALL BE OVERLAPPED.

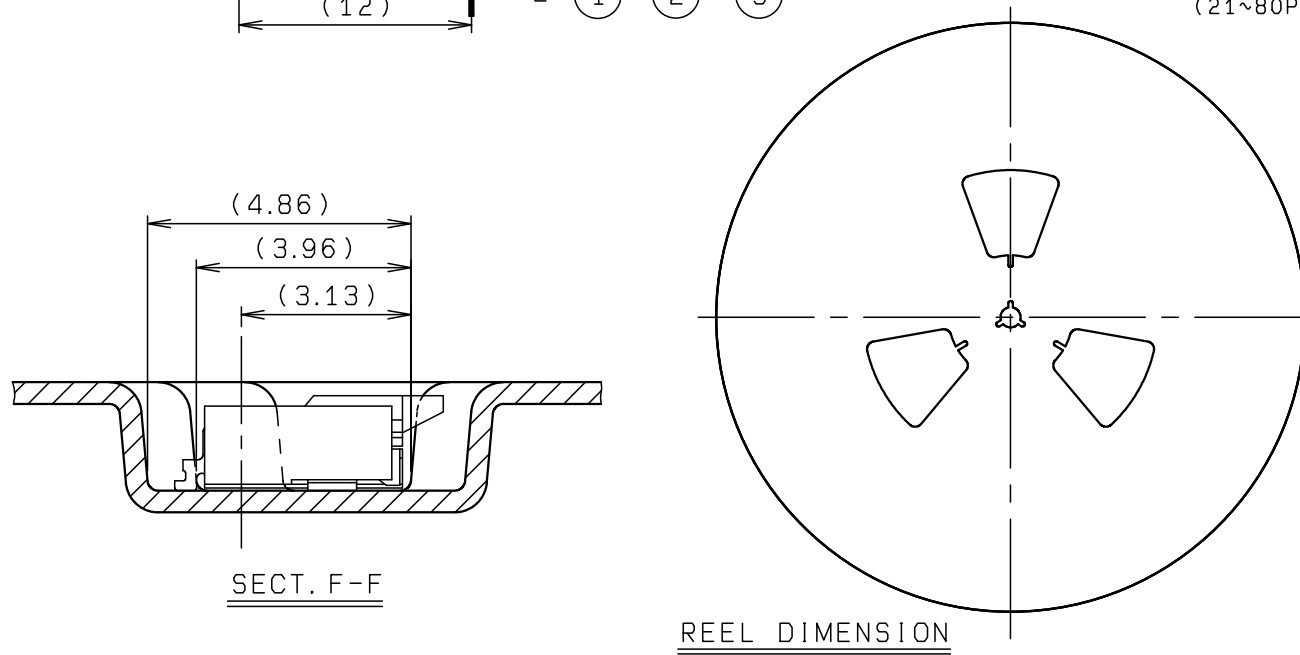
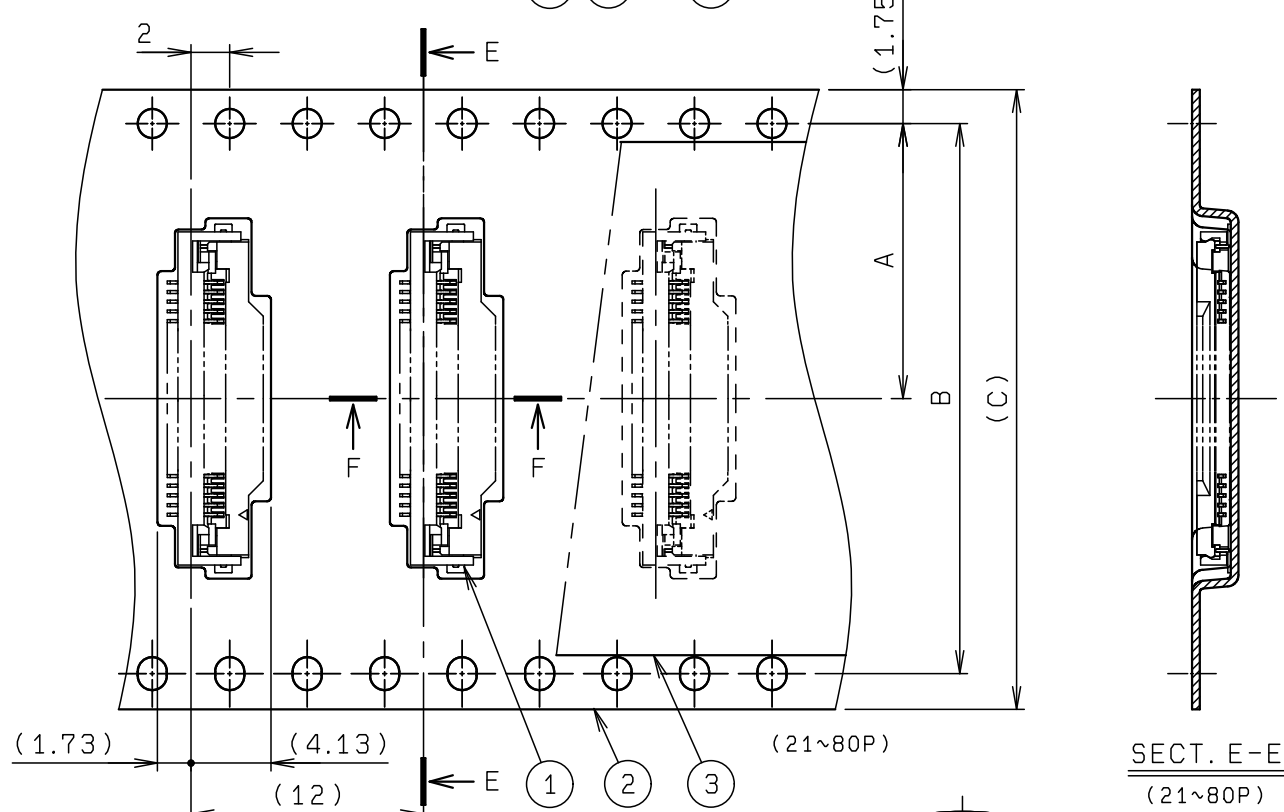
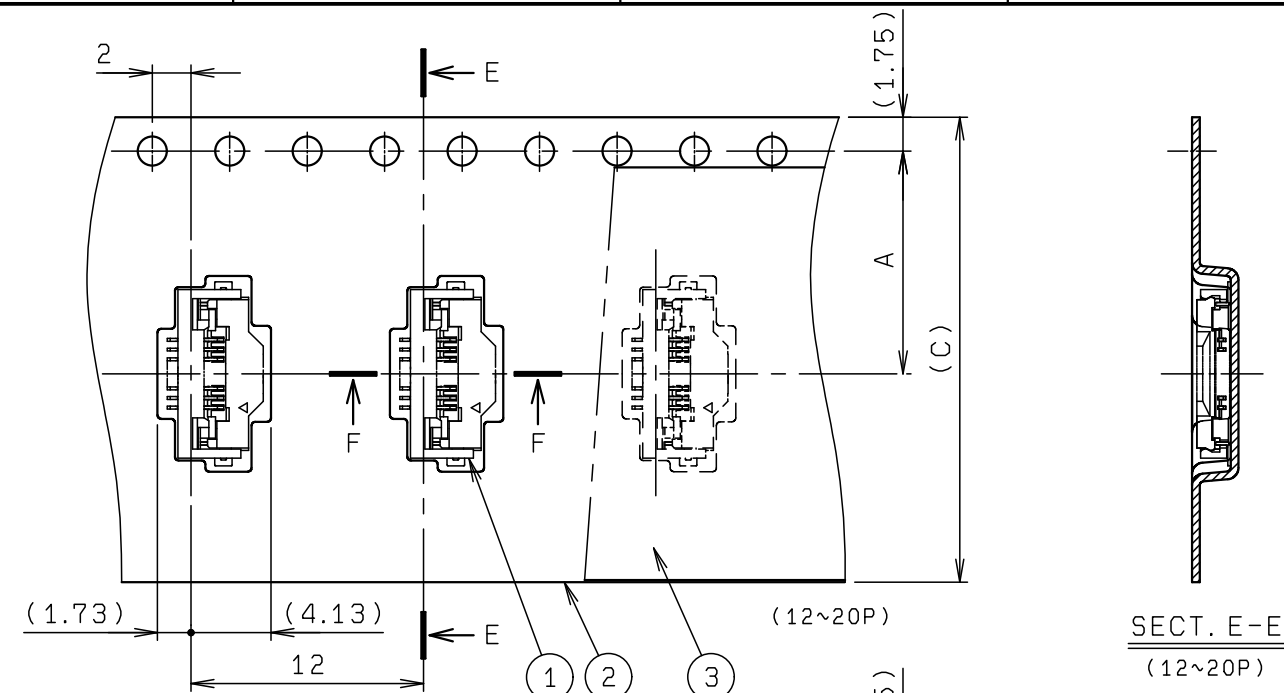
注記
NOTE

1. コンタクトテール及び固定金具は、基板より最大浮き0.1mmとする。
FLOATING FROM BOARD OF CONTACT TAIL AND ANCHOR PLATE SHALL BE 0.1mmMAX.
2. Nは、極数を示す。
N MEANS NUMBER OF PINS.

※この注記は1, 2ページ目にのみ適用
※THIS NOTES IS APPLICABLE TO SHEET-1 AND SHEET-2 ONLY.

TOLERANCE / 一般公差(S)		PRODUCT SPEC / 製品規格													
X < 10	±0.2	UNIT	ANGLE	REFER TO SHEET		1/3									
10 ≤ X < 30	±0.25	mm	3RD	NO.	EDN/DCN	DATE	ISSUE	CHECKED	APPROVED						
30 ≤ X	±0.3	SCALE	DATE	PART NAME / 品名											
ANGLE / 角度	±3°	N/S	3-07-13	FPC ASSY RA SMT 0.5mm PITCH ZIF TYPE BOTTOM CONTACT											
DRAWN	DESIGNED	CHECKED	APPROVED	PART NO. / 型番											
M. TAKAHASHI	T. MAKABE		Y. FUJII	04 6806 OXX 000 846 +											
DRAWN				DESIGNED				CHECKED				APPROVED			
M. TAKAHASHI				T. MAKABE								Y. FUJII			
DWG NO. / 図番				SHEET/REV											
BJS 6806006				12/3				H							

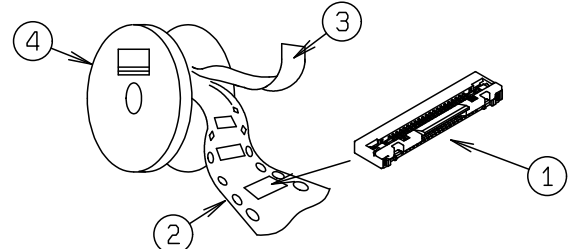




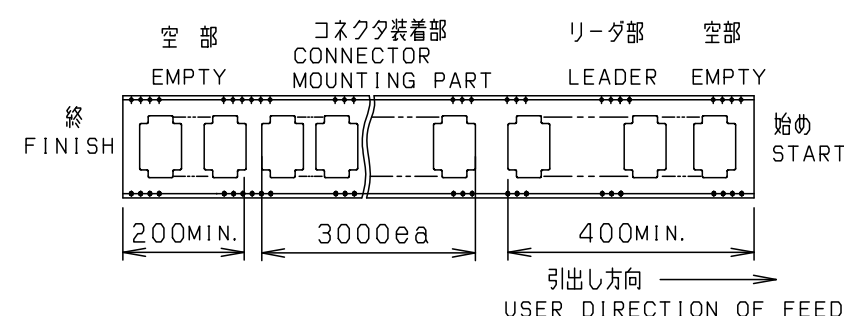
NO.	DESCRIPTION	PART NO.	QTY	MATERIAL	DRW NO.	REMARKS
1	CONNECTOR	04 6806 0XX 000 846 +	3000			00 6806 0XX 000 846 +
2	EMBOSSSED TAPE		1	POLYSTYRENE		
3	TOP COVER TAPE		1	POLYSTYRENE		
4	REEL		1	POLYSTYRENE		

注記
NOTE

- 梱包数量 : 3000 個/リール
PACKING QUANTITY : 3000 ea/reel
- 納入時のリール巻き方向
REELING DIRECTION IN DELIVERY



- 引出し方向
USER DIRECTION OF FEED



- 型番 P/N : 04 6806 0XX 000 846 +
極数 NO. OF POS. : _____
めっきコード PLATING CODE : _____
846 + : AU SELECTIVE (ANCHOR PLATE : SU-CU)

※この注記の1~3は3ページ目にも適用
※THIS NOTES 1 TO 3 ARE APPLICABLE TO SHEET-3 ONLY.

極数 NO. OF POS.	A	B	C	D
12	11.5	—	24.0	30.4
14	11.5	—	24.0	30.4
20	11.5	—	24.0	30.4
21	14.2	28.4	32.0	38.4
26	14.2	28.4	32.0	38.4
30	14.2	28.4	32.0	38.4
35	20.2	38.5	44.0	50.4
40	20.2	38.5	44.0	50.4
45	20.2	38.5	44.0	50.4
50	20.2	38.5	44.0	50.4
60	26.2	50.5	56.0	62.4
70	26.2	50.5	56.0	62.4
80	26.2	50.5	56.0	62.4

※この表は3ページ目にも適用
※THIS CHART IS APPLICABLE TO SHEET-3 ONLY.

ROHS規制対応
COMPLIANT WITH
RoHS REGULATIONS

TOLERANCE / 一般公差(S)		PRODUCT SPEC / 製品規格		REFER TO SHEET 1/3	
X < 10	± 0.2	UNIT	ANGLE	NO.	EDN/DCN
10 ≤ X < 30	± 0.25	mm	3RD	DATE	ISSUE
30 ≤ X	± 0.3	SCALE	DATE	CHECKED	APPROVED
ANGLE / 角度	$\pm 3^\circ$	N/S	3-07-13	PART NAME / 品名	
DRAWN	DESIGNED	CHECKED	APPROVED	SERIES 6806 EMBOSS TAPE ASSY RA SMT	
M. TAKAHASHI	T. MAKABE		Y. FUJII	0.5mm PITCH ZIF BOTTOM CONTACT TYPE	
				PART NO. / 型番	
				04 6806 0XX 000 846 +	
				DWG NO. / 図番	
				BJS 6806006	
				SHEET REV	
				3/3 H	

KYOCERA KYOCERA Connector Products Corporation