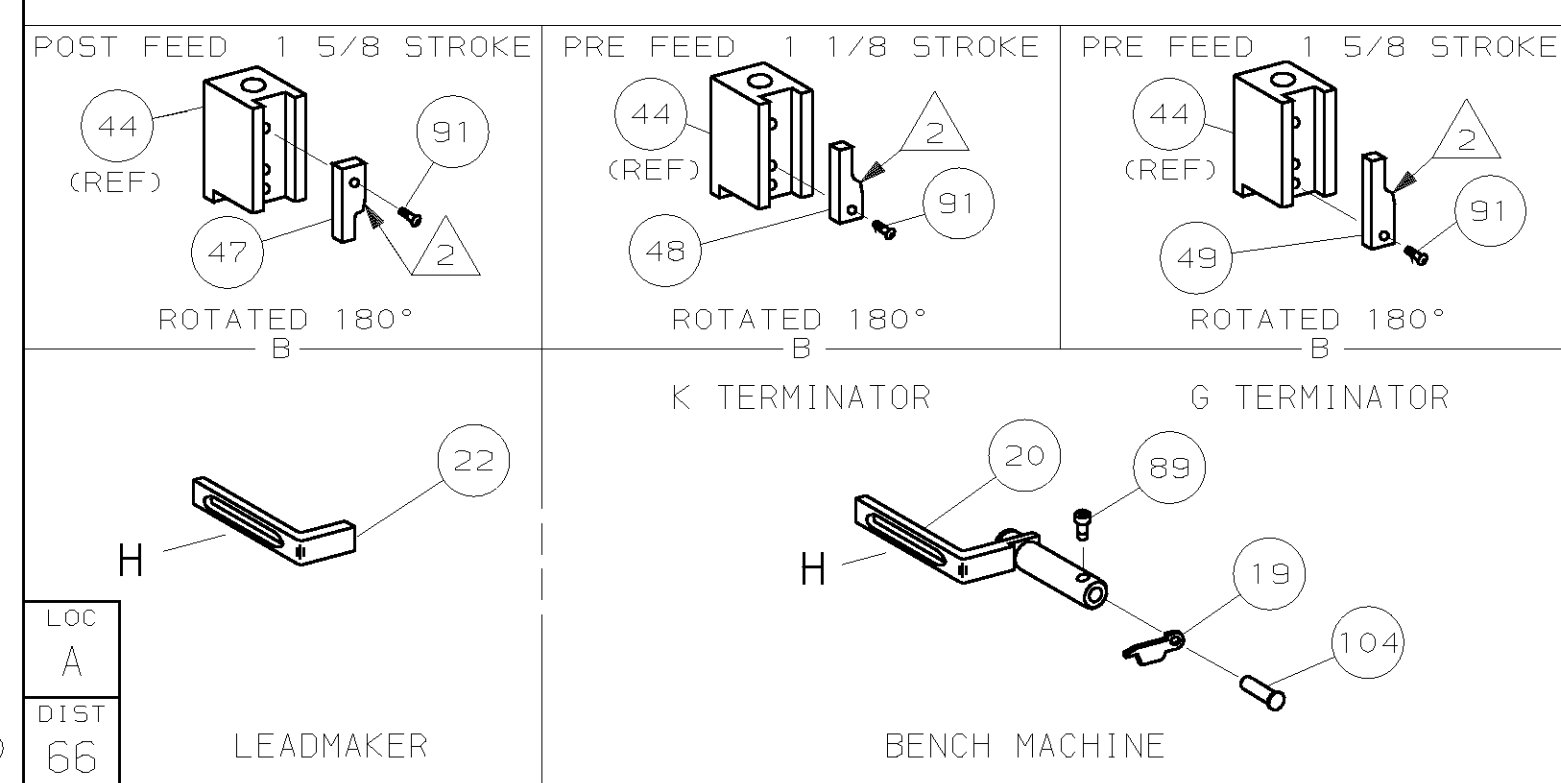
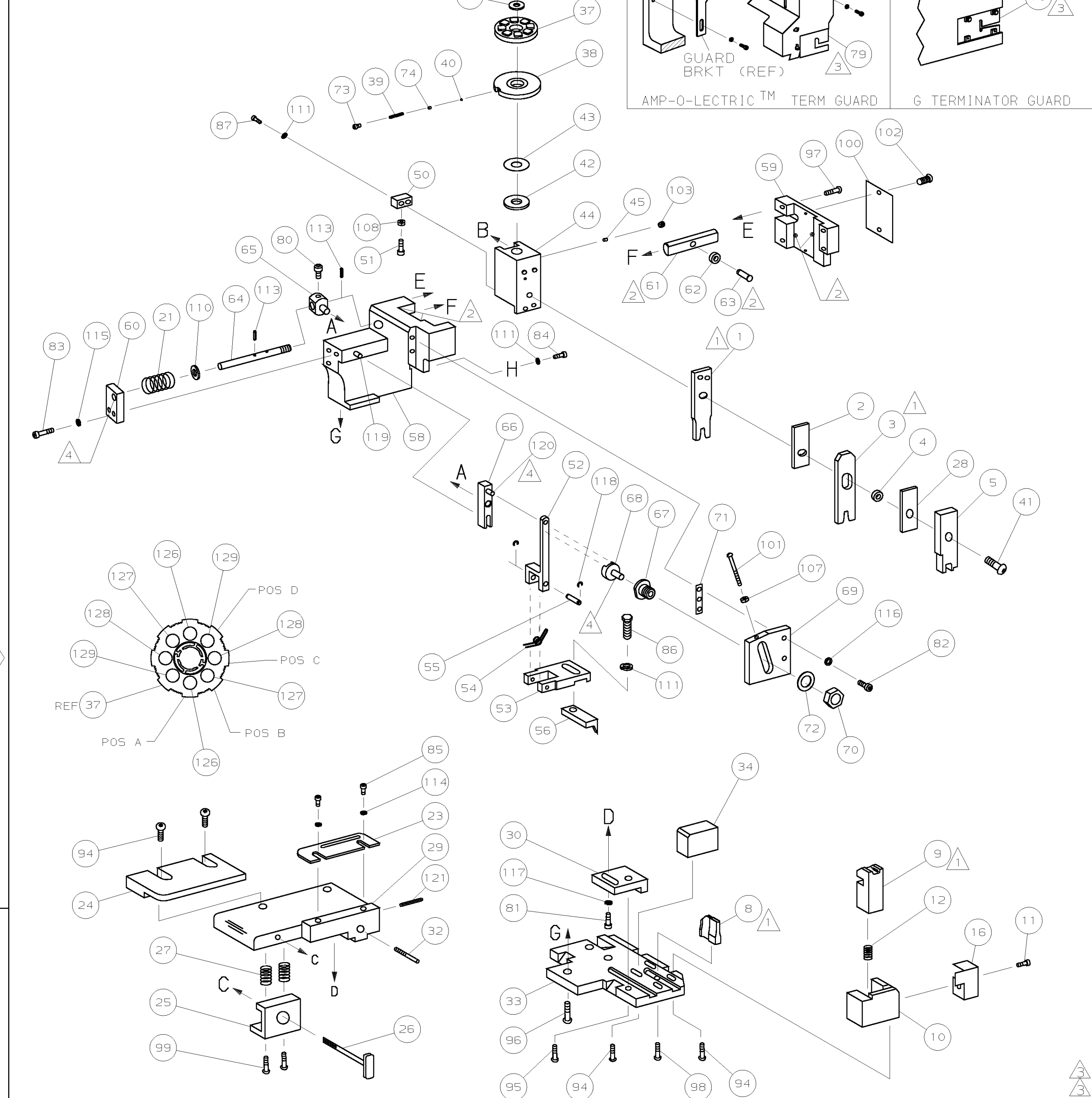


PART NUMBER	REV	FIRST USED
1385516-1	B	122500-1
1385516-2	B	565435-5
1385516-3	B	354500-1



- 1 RECOMMENDED SPARE PARTS.
- 2 GREASE LIGHTLY.
- 3 GUARD MUST BE IN PLACE WHEN OPERATING APPLICATOR IN A BENCH MACHINE.
- 4 LUBRICATE DAILY USING NO. 20 MACHINE OIL.
- 5. ITEMS WITH QTY OF REF SPECIFIED (EXCEPT ITEMS 78 AND 79) ARE USED ON ITEM 46.

WIRE STRIP LENGTH		TERM APPL SPEC	FEED	APPL INSTRUCTION	SET UP GAGE	LAYOUT
.124-.155		114-1008	.255	408-8040	458637-1	L2570

TERMINAL NAME: RECEPTACLE .058 DIA						
PAD LTR	CRIMP HEIGHT		WIRE SIZE			
	A	.041 ±.002 [1.04 ±0.05mm]	20			
B	.037 ±.002 [0.94 ±0.05mm]	22				
C	.034 ±.002 [0.86 ±0.05mm]	24				
D	.032 ±.002 [0.81 ±0.05mm]	26				
CRIMP	SIZE	TYPE	RANGE			
WIRE	.055 [1.40mm]	F	26-20			
INSUL	.120 [3.05mm]	0	.040-.110			
QTY RECD PER ASSY	PARTS LIST					

REV	LEADMAKER	MECH POST FEED			ITEM NO			
-1	LEADMAKER	MECH POST FEED						
-2	BENCH MODEL K	MECH PRE FEED						
-3	BENCH MODEL G	MECH PRE FEED						
REF	REF	REF	B	22594-8	NUT, HEX (1/2-20)			
REF	REF	REF	B	240628-1	PLATE, ADJUSTMENT			
REF	REF	REF	B	240626-1	SHAFT, PIVOT			
REF	REF	REF	B	240633-1	BUSHING			
REF	REF	REF	A	455680-1	LEVER, INTERMEDIATE			
REF	REF	REF	B	240629-1	BLOCK, PIVOT			
REF	REF	REF	A	240632-2	SCREW, ADJ FEED ROD			
REF	REF	REF	B	240659-3	PIN, CAM ROLLER			
REF	REF	REF	B	240658-1	ROLLER, CAM			
REF	REF	REF	B	454398-2	ROD, FEED			
REF	REF	REF	A	454178-1	GUIDE, FEED ROD			
REF	REF	REF	C	454220-1	CAP, RAM			
REF	REF	REF	D	454485-1	HOUSING			
1	1	1	B	690542-2	PAWL, FEED			
REF	REF	REF	B	240624-1	PIN, FEED FINGER			
REF	REF	REF	B	691499-1	SPRING, FEED FINGER			
REF	REF	REF	B	690541-1	HOLDER, FEED FINGER			
REF	REF	REF	A	455679-1	LEVER, TERMINAL FEED ARM			
1	1	1	A	811242-2	BUMPER, HOLDDOWN			
1	1	1	A	690753-1	SPACER, TONKER			
1	-	-	B	690602-6	CAM, PRE-FEED 1 5/8 ST			
-	1	-	B	690602-5	CAM, PRE-FEED 1 1/8 ST			
-	-	-	B	690501-4	CAM, POST-FEED 1 5/8 ST			
1	1	1	B	459456-1	APPLICATOR, BASIC (SUBASSY)			
1	1	1	A	690191-1	PLUG, NYLON			
1	1	1	C	455673-1	RAM			
1	1	1	A	690125-1	WASHER, LAMINATED			
1	1	1	A	690124-1	WASHER, RAM			
1	1	1	A	7-21002-9	BOLT, CRIMPER (5/16x1.00)			
1	1	1	A	23241-6	BALL, STEEL			
1	1	1	A	690170-1	SPRING, COMPRESSION			
1	1	1	C	690142-1	DISC, INSULATION			
1	1	1	D	354777-1	WIRE DISC, PLASTIC			
1	1	1	A	22480-5	WASHER, SPRING			
1	1	1	B	690212-1	POST, RAM			
1	1	1	B	690786-3	SUPPORT, TERMINAL			
REF	REF	REF	D	455675-1	PLATE, BASE			
1	1	1	A	690432-3	SCREW, ADJUSTMENT			
REF	REF	REF	B	455689-1	BLOCK, STRIP GUIDE ADJ			
1	1	1	C	455671-1	PLATE, STRIP GUIDE			
1	1	1	C	1-455888-0	SPACER, FRONT SHEAR DEP			
2	2	2	A	1-22284-0	SPRING, DRAG			
1	1	1	B	690546-1	LEVER, DRAG RELEASE			
1	1	1	B	240792-1	DRAG, TERMINAL			
1	1	1	D	6-690504-0	GUIDE, STRIP (REAR)			
1	1	1	A	690438-1	GUIDE, STRIP (FRONT)			
-	-	-	B	690472-2	STRIPPER			
REF	REF	REF	A	4-22284-9	SPRING, FEED RETURN			
1	1	-	A	679218-1	STRIPPER WIRE STOP ASSY			
1	1	-	B	458949-1	STRIPPER			
1	1	1	B	318563-1	GUARD, CHIP, FRONT			
1	1	1	A	5-22280-0	SPRING, SHEAR			
1	1	1	B	690461-1	STOP, SHEAR			
1	1	1	C	690459-1	HOLDER, SHEAR (FRONT)			
1	1	1	C	454276-1	SHEAR, FLOAT (FRONT)			
1	1	1	C	2-662183-6	ANVIL			
1	1	1	C	1-455889-4	DEPRESSOR, SHEAR (FRONT)			
1	1	1	B	238011-6	SPACER, BLOCK CRIMPER			
1	1	1	C	9-456135-2	CRIMPER, INSULATION			
1	1	1	C	455888-2	SPACER, CRIMPER			
1	1	1	C	1-456402-7	CRIMPER, WIRE			
-3	-2	-1	U/M	DWG SIZE	PART NO	DESCRIPTION	ITEM NO	
QTY RECD PER ASSY		PARTS LIST						