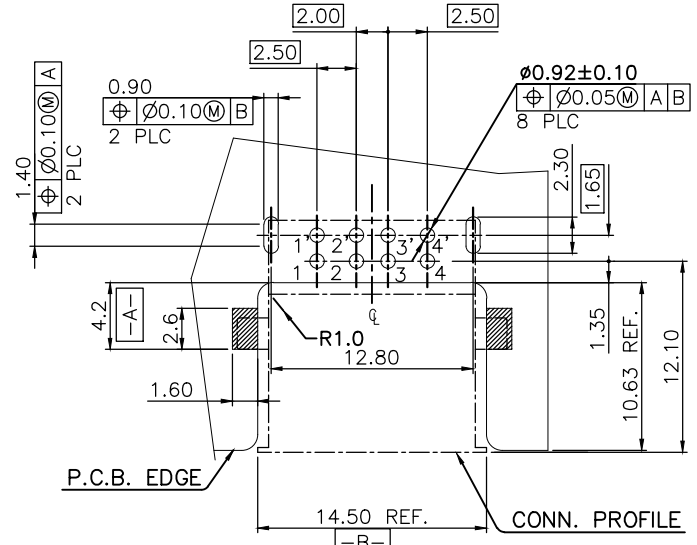
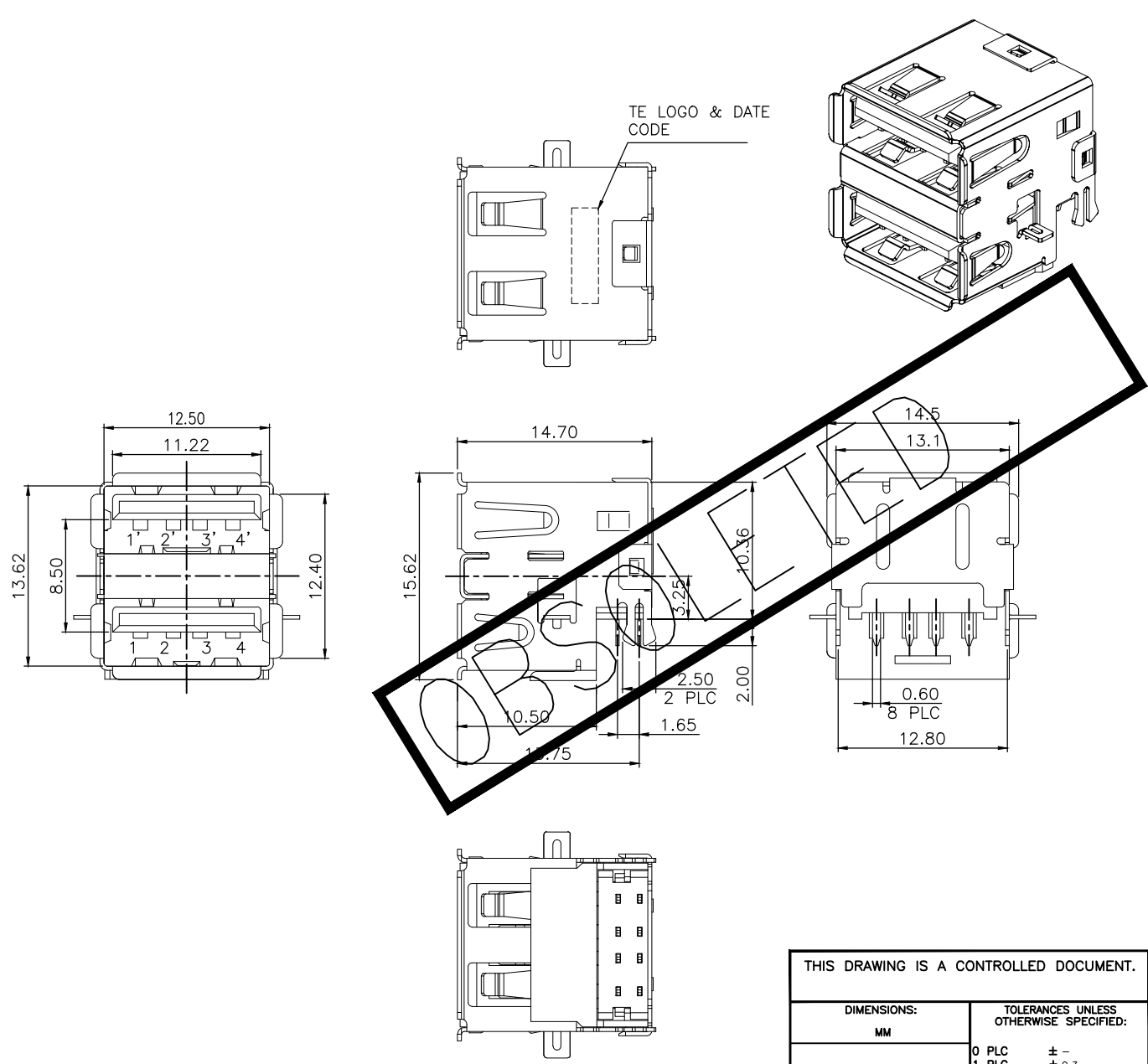


THIS DRAWING IS UNPUBLISHED. RELEASED FOR PUBLICATION AUG , 2006.
 © COPYRIGHT BY TYCO ELECTRONICS CORPORATION. ALL RIGHTS RESERVED.

LOC	DIST	REVISIONS			
P	LTR	DESCRIPTION	DATE	DWN	APVD
	A2	REVISED (ECR-15-017597)	22MAR2016	A.X	H.W



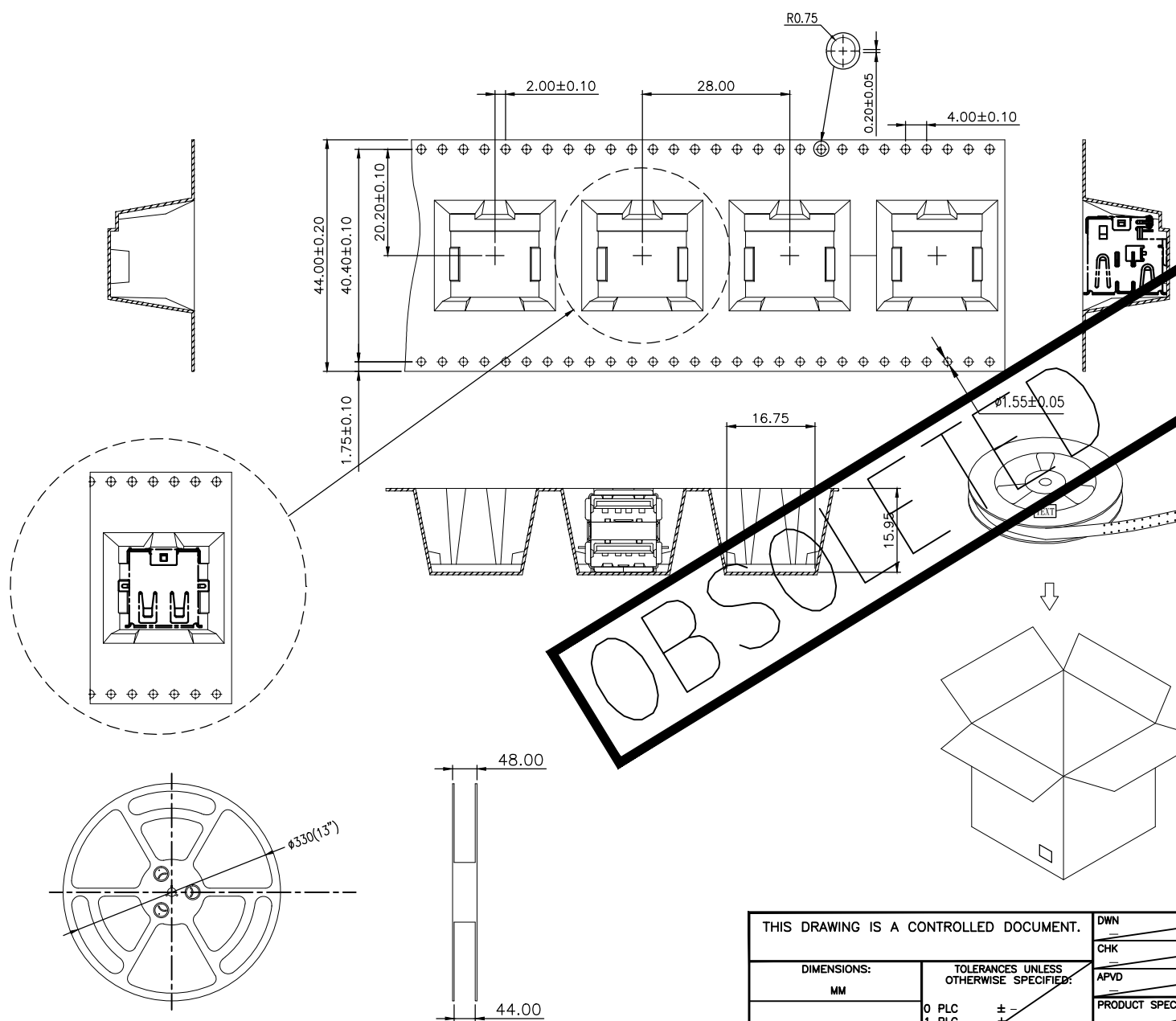
- NOTES:
 1. MATERIAL:
 HOUSING: PA-9T, WITH 30% GLASS FIBER FILLED. UL 94V-0 RATED, BLACK COLOR
 SPACER: PA-9T, WITH 30% GLASS FIBER FILLED. UL 94V-0 RATED, BLACK COLOR
 CONTACT: PHOSPHOR BRONZE (t=0.25mm).
 FRONT SHELL: BRASS (t=0.30mm).
 REAR SHELL: SPCC (t=0.30mm).
 GROUNDING STRIP: SUS (t=0.30mm).
 2. FINISH:
 CONTACT: 0.762μm [30μ"] MIN. GOLD PLATING ON CONTACT AREA, GOLD FLASH ON SOLDER TAILS.
 1.27μm [50μ"] MIN. NICKEL UNDERPLATING OVERALL.
 FRONT SHELL: 0.762μm [30μ"] MIN. NICKEL PLATED, 0.762μm [30μ"] MIN. Cu UNDERPLATING OVERALL.
 REAR SHELL: 3.05μm [120μ"] MIN. NICKEL PLATED, 1.27μm [50μ"] MIN. Cu UNDERPLATING OVERALL.
 3. REFLOW SOLDER CAPABLE TO 245°C PER TE SPEC 109-201, CONDITION A.

1775462 1
 PART NUMBER

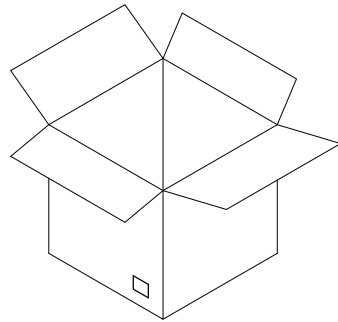
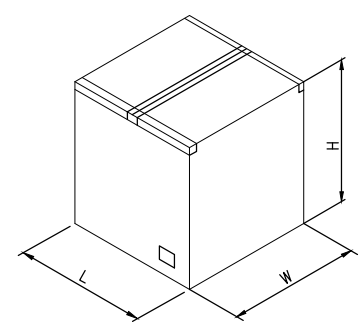
THIS DRAWING IS A CONTROLLED DOCUMENT.		DWN O. HU 21-NOV-2006	TE Connectivity		
DIMENSIONS: MM		CHK S. HOU 21-NOV-2006			
		APVD W.J. KE 21-NOV-2006	NAME		
TOLERANCES UNLESS OTHERWISE SPECIFIED:		PRODUCT SPEC 108-57628	USB CONNECTOR, A SERIES, STACKED, OFFSET TYPE		
0 PLC ± - 1 PLC ± 0.3 2 PLC ± 0.2 3 PLC ± 0.15 4 PLC ± - ANGLES ± 3°		APPLICATION SPEC	SIZE A3	CAGE CODE 00779	DRAWING NO C=1775462
MATERIAL SEE NOTE		FINISH SEE NOTE	WEIGHT 4.71 GRAMS	RESTRICTED TO	
CUSTOMER DRAWING			SCALE -	SHEET 1 OF 2	REV A2

THIS DRAWING IS UNPUBLISHED. RELEASED FOR PUBLICATION AUG , 2006.
 © COPYRIGHT - BY TYCO ELECTRONICS CORPORATION. ALL RIGHTS RESERVED.

LOC	DIST	REVISIONS			
P	LTR	DESCRIPTION	DATE	DWN	APVD
		SEE SHEET 1.			



- NOTES:
- MATERIAL:
 REEL: PS
 EMBOSSED CARRIER: PS
 COVER TAPE: PBT
 - DIMENSION:
 TAPE REEL: $\phi 330\text{mm} \times 37.1\text{mm}$
 SHIPPING CARTON: L=350mm W=350mm H=350mm
 - QUANTITY:
 PRIMARY PACKING: 150 PCS/REEL
 SECONDARY PACKING: 7 REELS CARTON(1,050PCS)
 - WEIGHT:
 NET WEIGHT: 0.60KG/REEL, 4.2KG/SHIPPING CARTON.
 GROSS WEIGHT: 0.75KG/REEL, 5.3KG/SHIPPING CARTON.
 - PEELING RESISTANCE: 16gf TO 102gf.
 - PEELING SPEED: 300MM/MIN.



THIS DRAWING IS A CONTROLLED DOCUMENT.		DWN	TE Connectivity	
DIMENSIONS: MM		CHK		
TOLERANCES UNLESS OTHERWISE SPECIFIED:		APVD	NAME	
0 PLC ± -		PRODUCT SPEC	USB CONNECTOR, A SERIES, STACKED, OFFSET TYPE	
1 PLC ± -		APPLICATION SPEC	SIZE	CAGE CODE
2 PLC ± -		WEIGHT	A3	00779
3 PLC ± -		CUSTOMER DRAWING	DRAWING NO	RESTRICTED TO
4 PLC ± -			C=1775462	
ANGLES ± -			SCALE	SHEET
FINISH				2 OF 2
				REV A2