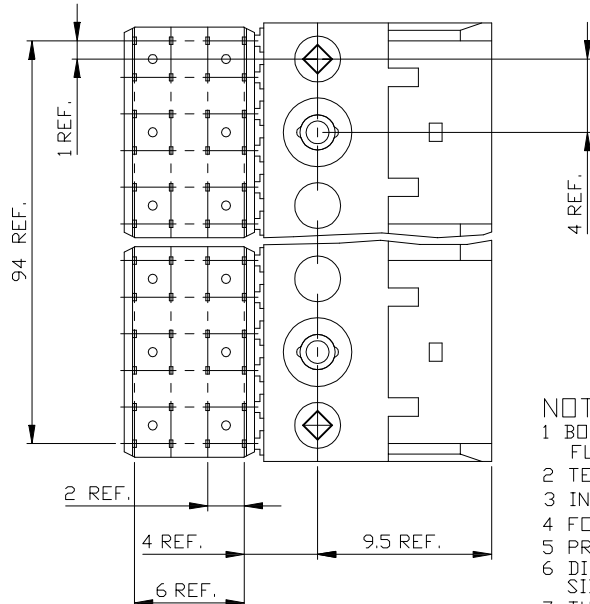
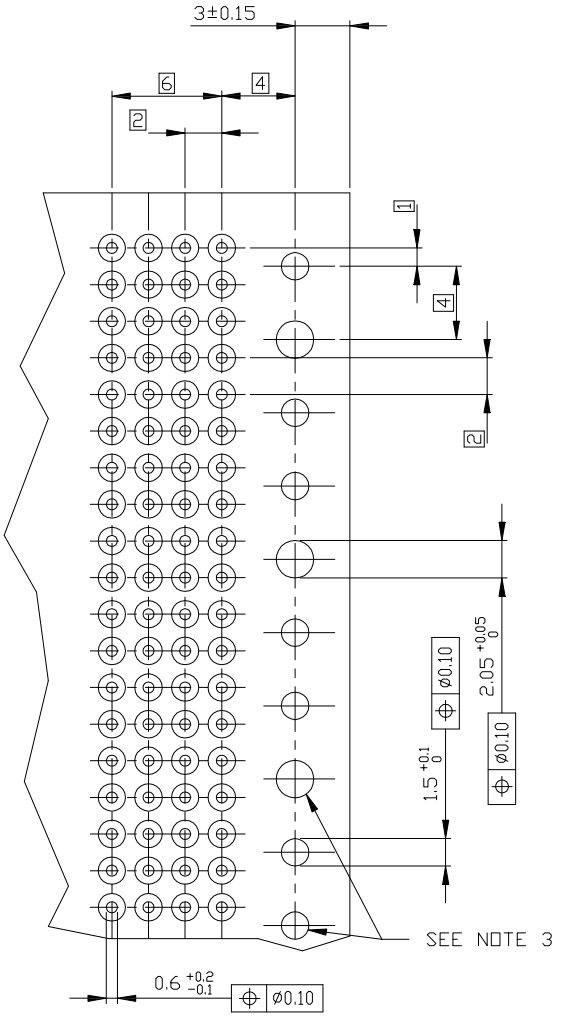
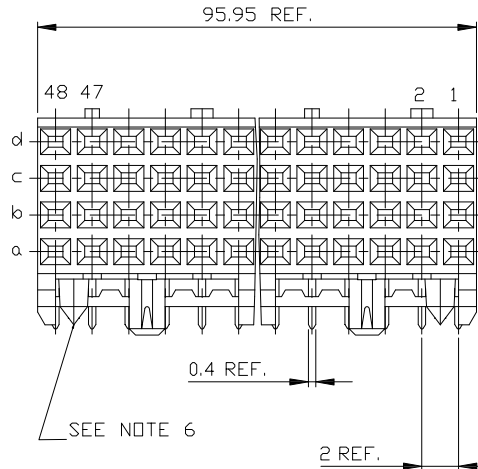
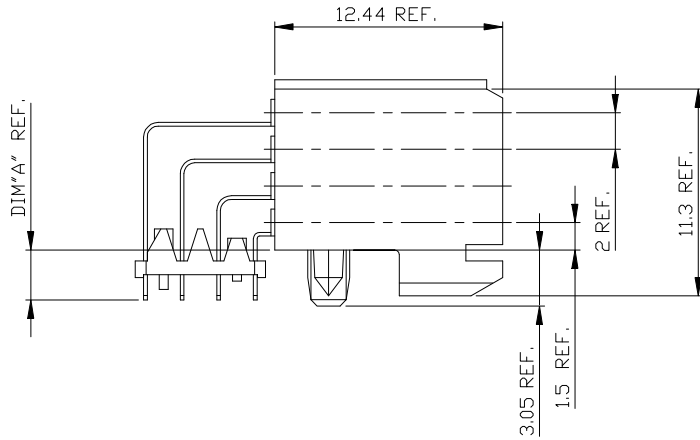


PC BOARD VERSIONS		
PRODUCTNR:	PCB THICKNESS	DIM"A"
89038-X01/X01LF	1.6	2.90
89038-X11/X11LF	2.4	3.53



PRODUCT AFTER PC BOARD APPLICATION.

PC BOARD THICKNESS ±0.20
SEE TABLE

- NOTES:
- 1 BODY MAT'L: LIQUID CRYSTAL POLYMER 30% GLASS FLAME RETARDANT ACC. UL 94-V0
 - 2 TERMINAL MATERIAL: PHOSPHOR BRONZE.
 - 3 INDICATED HOLES ARE UNPLATED.
 - 4 FOR PLATING SPEC, REFER TO DRAWING 10097866.
 - 5 PRODUCT MARKING: PARTNUMBER & BATCH ID.
 - 6 DIAMOND LOCATION PEG ARE ONLY EXISTED ON THE BOTH T. SIDES OF PRODUCT
 - 7 THIS PRODUCT MEETS EUROPEAN UNION DIRECTIVES AND OTHER COUNTRY REGULATIONS AS DESCRIBED INGS-22-008 .
 - 8 THE HOUSING WILL WITHSTAND EXPOSURE TO 260DEGREE PEAK TEMPERATURE FOR 10 SECONDS IN A WAVE SOLDER APPLICATION.

PLATING CONTACT AREA:

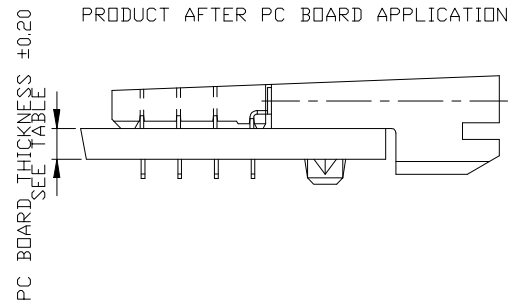
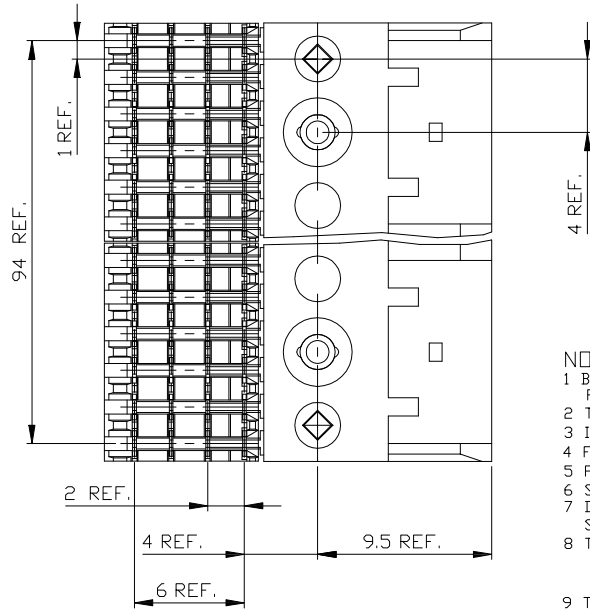
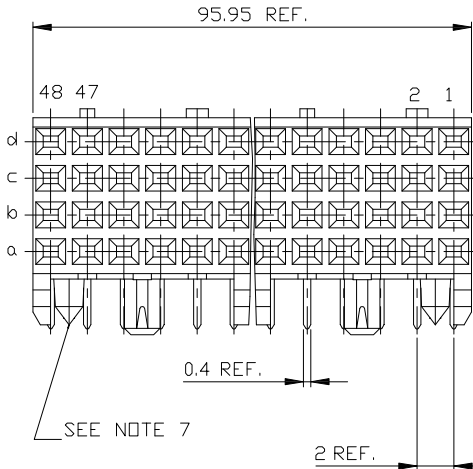
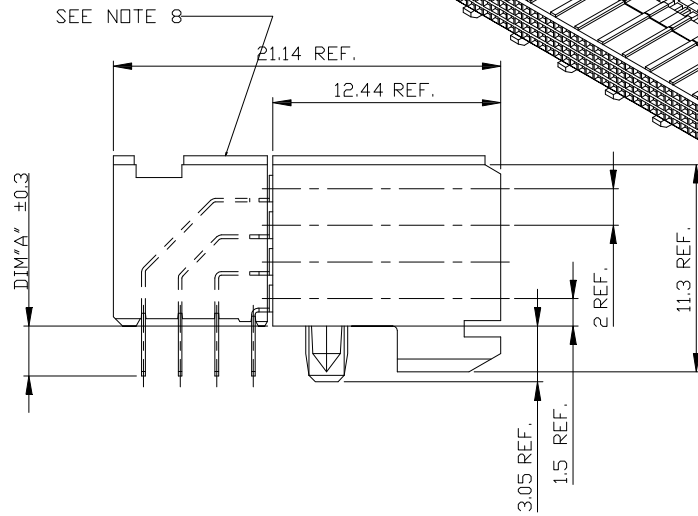
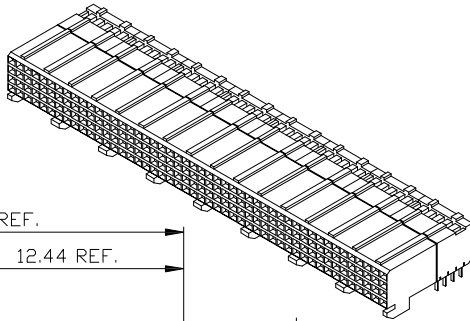
DASH NR:	PERFORMANCE LEVEL
-1YY/1YYLF	TELCORDIA CO
-2YY/2YYLF	CUSTOMER SPECIAL
-3YY/3YYLF	CUSTOMER SPECIAL

mat'l. code		tolerances unless otherwise specified		CUSTOMER CDPY		FCI	
ltr	ecn	nodr	date	linear	projection	title	www.ficonnection.com
J	DG04-0104	Clu	0412/21			RA FEMALE SIGNAL	
K	DG06-0478	Cenh	11/23/06			96 mm PRESS PEG	
L	DG07-0271	Cenh	05/25/07	angles		product family METRAL(tn)	code 213
M	DG08-0171	TER	8/26/08	dir	H.Bouwknecht	930202	size/dwg no
N	DG09-0068	Cenh	03/03/09	engr	H. Bouwknecht	940311	scale
				chr	Slee	930203	A2
H	V00847	LLA	000530	app	J.Vintjes	930203	89038
sheet	revision	N	N				1 of 3
index	sheet	1	2				

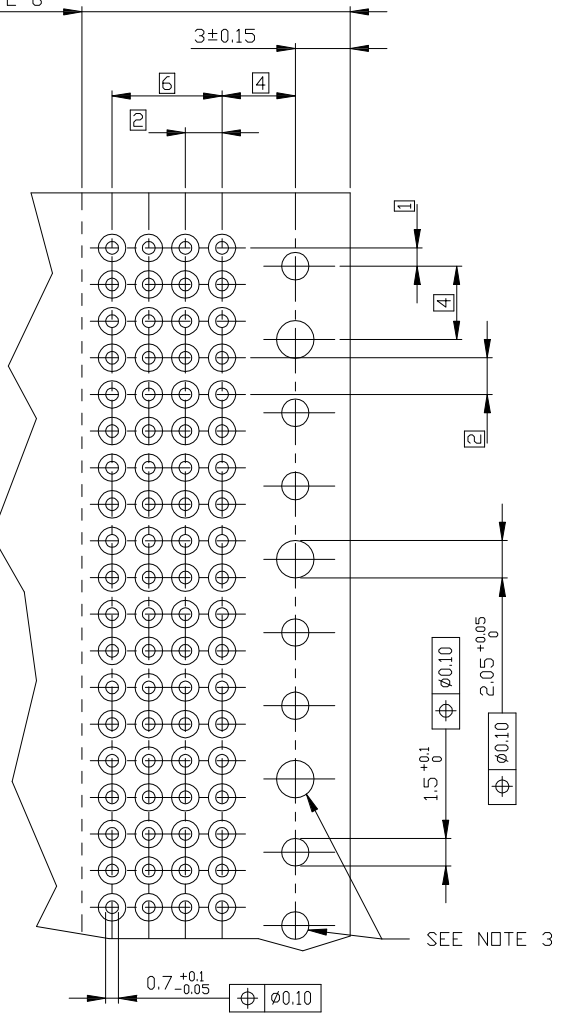
All rights strictly reserved. Reproduction or use in any form without written authority from the proprietor. Property of F.C.I. nv. © F.C.I. nv.



PC BOARD VERSIONS		
PRODUCTNR:	PCB THICKNESS	DIM*A"
89038-X02/X02LF	1.6	2.90
89038-X12/X12LF	2.4	3.53



14.64 REF. SEE NOTE 6



RECOMMENDED HOLE PATTERN, COMPONENT SIDE.

NOTES:

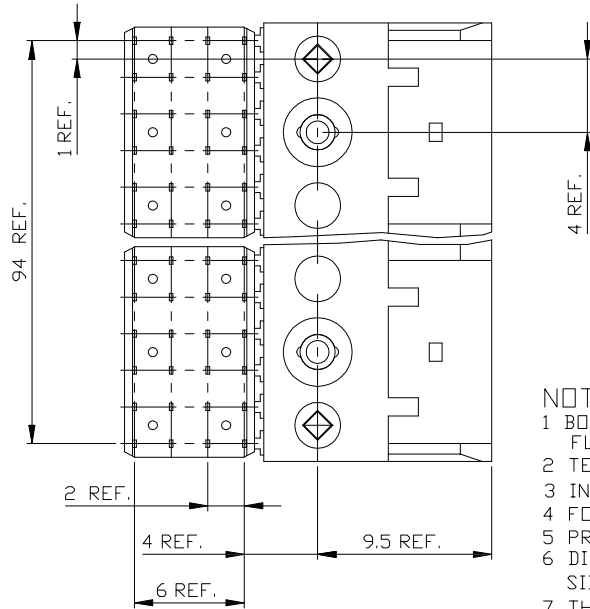
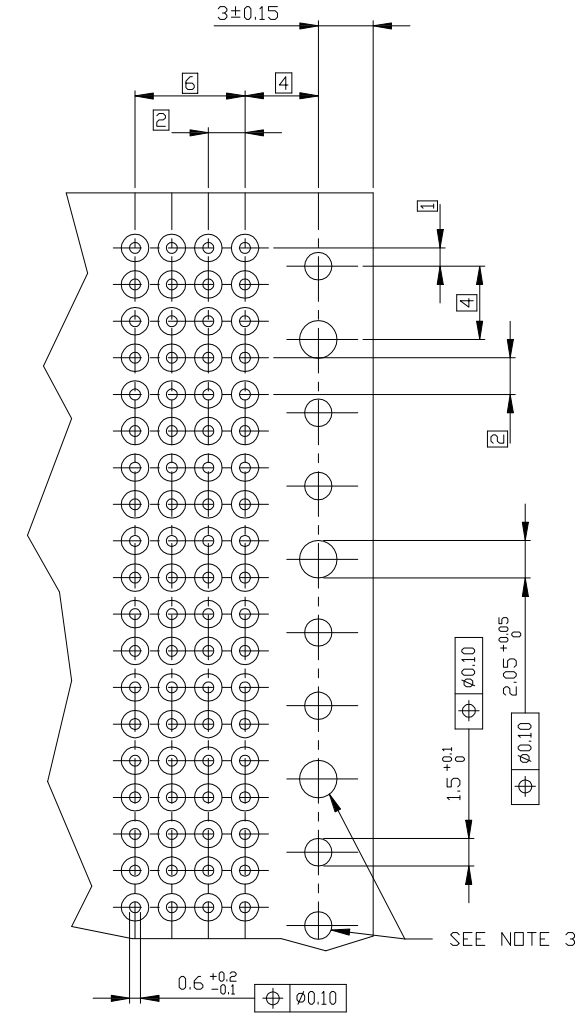
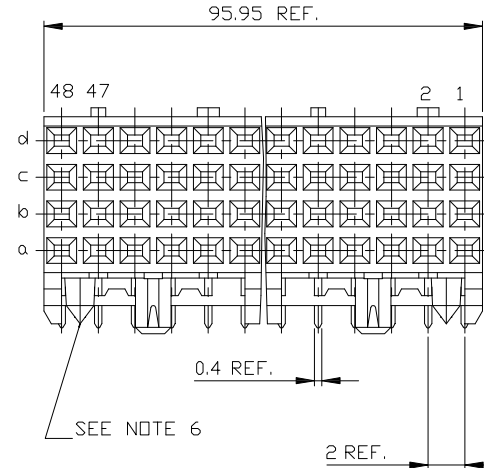
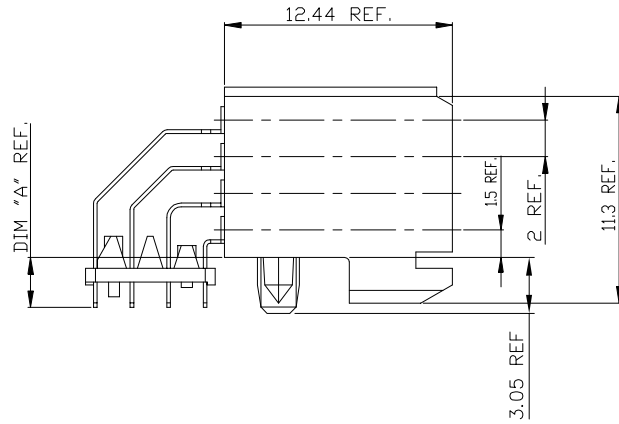
- BODY MAT'L: LIQUID CRYSTAL POLYMER 30% GLASS
FLAME RETARDANT ACC. UL 94-V0
- TERMINAL MATERIAL: PHOSPHOR BRONZE.
- INDICATED HOLES ARE UNPLATED.
- FOR PLATING SPEC, REFER TO DRAWING 10097866.
- PRODUCT MARKING: PARTNUMBER & BATCH ID.
- SET BACK FOR PRESS BLOCK.
- DIAMOND LOCATION PEG ARE ONLY EXISTED ON THE BOTH SIDES OF PRODUCT.
- TOP SURFACE OF PRESS BLOCK MAY EXTEND UP TO 0.4MM HIGHER THAN HOUSING. THIS MAY AFFECT THE TAIL LENGTH BEFORE APPLICATION TO A BOARD
- THIS PRODUCT MEETS EUROPEAN UNION DIRECTIVES AND OTHER COUNTRY REGULATIONS AS DESCRIBED IN GS-22-008
- THE HOUSING WILL WITHSTAND EXPOSURE TO 260DEGREE PEAK TEMPERATURE FOR 10 SECONDS IN A WAVE SOLDER APPLICATION.

PLATING CONTACT AREA:	
DASH NR:	PERFORMANCE LEVEL
-1YY/1YYLF	TELCORDIA CO
-2YY/2YYLF	CUSTOMER SPECIAL
-3YY/3YYLF	CUSTOMER SPECIAL

mat'l code		tolerances unless otherwise specified		CUSTOMER CDPY		 www.fciconnect.com	
ltr	ecnr	ngdr	date	linear	projection	title RA FEMALE SIGNAL	
N						96 mm PRESS PEG	
				angles		product family METRAL(tm)	code 213
				dir	D. de Bil	970529	size
				engr	P. Schalk	970529	dwg no
				chr	P. Schalk	970529	scale A2
				app	H. Cooljans	970529	89038
sheet index	revision			scale			sheet 2 of 2
				5:1			

All rights strictly reserved. Reproduction or issue in any form without written authority from the proprietor. Property of F.C.I. bv. @ F.C.I. bv.

PC BOARD VERSIONS		
PRODUCTNR:	PCB THICKNESS	DIM "A"
89038-X03/X03LF	1.6	2.90
89038-X13/X13LF	2.4	3.53



PRODUCT AFTER PC BOARD APPLICATION.

PC BOARD THICKNESS ±0.20
SEE TABLE

NOTES:

- 1 BODY MAT'L: LIQUID CRYSTAL POLYMER 30% GLASS
FLAME RETARDANT ACC. UL 94-V0
- 2 TERMINAL MATERIAL: PHOSPHOR BRONZE.
- 3 INDICATED HOLES ARE UNPLATED.
- 4 FOR PLATING SPEC, REFER TO DRAWING 10097866.
- 5 PRODUCTMARKING: PARTNUMBER & BATCH ID.
- 6 DIAMOND LOCATION PEG ARE ONLY EXISTED ON THE BOTH SIDES OF PRODUCT.
- 7 THIS PRODUCT MEETS EUROPEAN UNION DIRECTIVES AND OTHER COUNTRY REGULATIONS AS DESCRIBED IN GS-22-008 .
- 8 THE HOUSING WILL WITHSTAND EXPOSURE TO 260DEGREE PEAK TEMPERATURE FOR 10 SECONDS IN A WAVE SOLDER APPLICATION.

PLATING CONTACT AREA:

DASH NR:	PERFORMANCE LEVEL
-1YY/1YYLF	TELCORDIA CO
-2YY/2YYLF	CUSTOMER SPECIAL
-3YY/3YYLF	CUSTOMER SPECIAL

mat'l code		tolerances unless otherwise specified		CUSTOMER CDPY		FCJ	
ltr	ecnr	ndr	date	linear	projection	title RA FEMALE SIGNAL	
N				angles	⊕	96 mm PRESS PEG	
				dir	Heaven Cen	11/23/06	product family METRAL(tn)
				engr	Collins Lu	11/23/06	code 213
				chr	Beer Fu	11/23/06	sheet 3 of-
				app	Joseph Hsio	11/23/06	scale 5:1
sheet	revision						
index	sheet						

All rights strictly reserved. Reproduction or issue in any form without written authority from the proprietor. Property of F.C.I. Inc. © F.C.I. Inc.