

80 mm sq.

San Ace 80W



General Specifications

- Material Frame: Plastics (Flammability: UL94V-0),
Impeller: Plastics (Flammability: UL94V-1)
- Expected Life Refer to specifications (Indoor, L10: Survival rate: 90% at 60°C ,
rated voltage, and continuously run in a free air state)
- Lead Wire ⊕red ⊖black (Sensor) yellow (Control) brown
- Storage Temperature -30°C to +70°C (Non-condensing)

80×80×38mm (Mass : 235g) **IP 68** **9WV**type

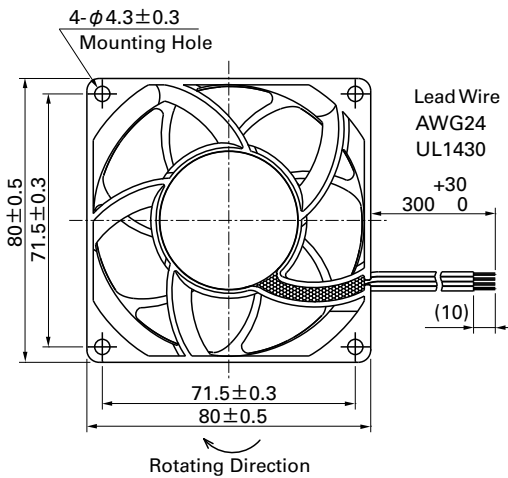
Specifications The following nos. **have PWM controls, pulse sensors, and ribs.** For ribless, append "1" to the model no.

Model No.	Rated Voltage [V]	Operating Voltage Range [V]	PWM duty cycle* [%]	Rated Current [A]	Rated Input [W]	Rated Speed [min ⁻¹]	Max. Airflow [m ³ /min] [CFM]	Max. Static Pressure [Pa] [inchH ₂ O]	SPL [dB(A)]	Operating Temperature [°C]	Expected Life [h]
9WV0812P1M001	12	10.2 to 13.8	100	0.75	9	6,000	2.29 80.9	169 0.68	51	-20 to +70	40,000/60°C (70,000/40°C)
			0	0.09	1.08	1,700	0.65 23	13.6 0.05	19		
9WV0848P1H001	48	40.8 to 52.8	100	0.75	36	9,700	3.7 131	440 1.77	63	-20 to +70	40,000/60°C (70,000/40°C)
			0	0.15	7.2	4,500	1.72 60.7	94.7 0.38	43		

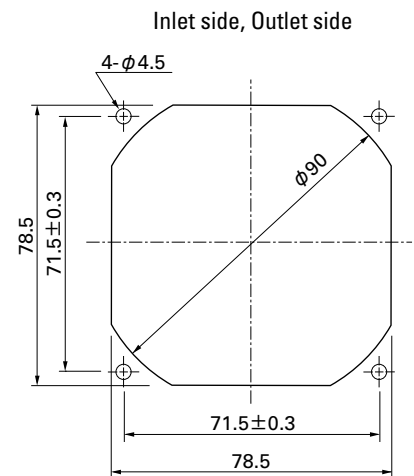
*PWM Frequency : 25kHz

Other sensor specifications are available as options. Please refer to the index (p. 513).

Dimensions (unit: mm) (With ribs)



Reference Dimensions of Mounting Holes and Vent Opening (unit: mm)

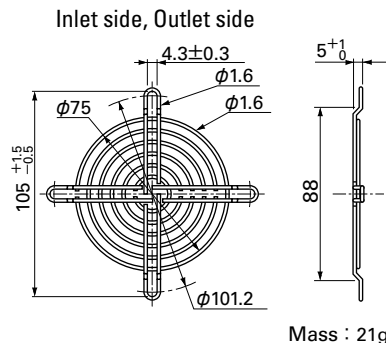
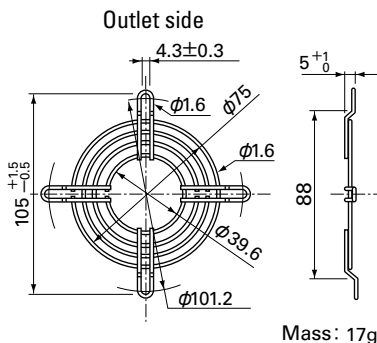


Options (unit: mm)

Finger Guards

Model : 109-049C Surface treatment : Nickel-chrome plating (silver) Color

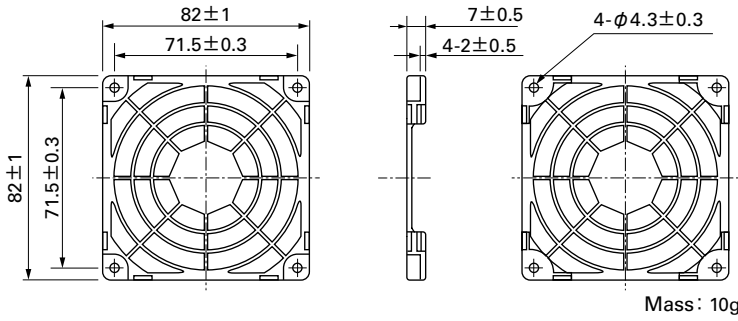
Model : 109-049E Surface treatment : Nickel-chrome plating (silver) Color
: 109-049H : Cation electropainting (black)



Options (unit: mm)

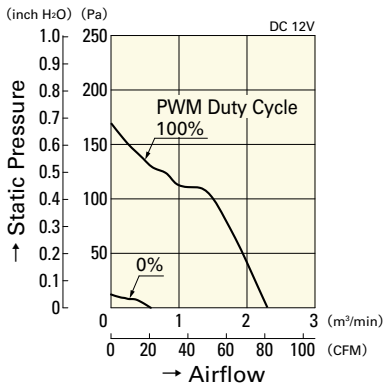
Resin Finger Guards

Model : 109-1002G

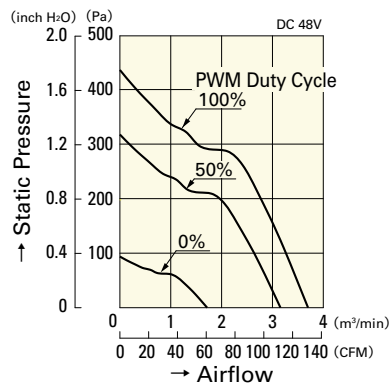


Airflow - Static Pressure Characteristics

PWM Duty Cycle

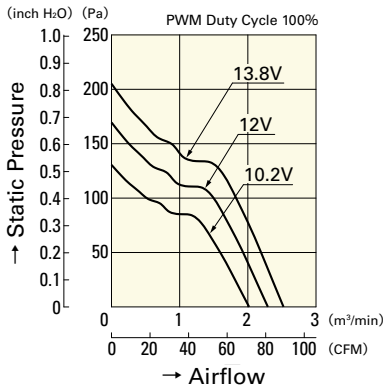


9WV0812P1M001

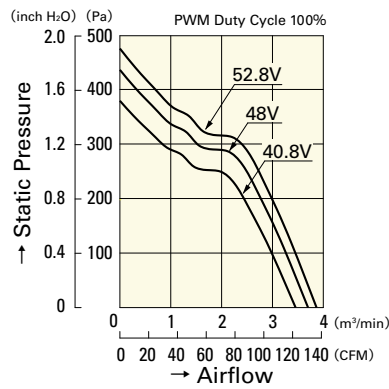


9WV0848P1H001

Operating Voltage Range

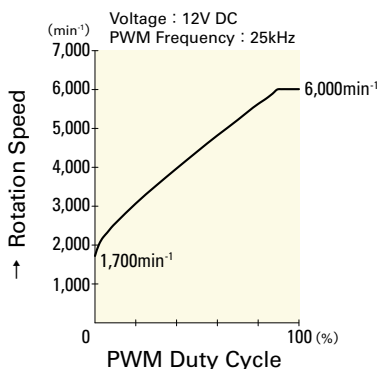


9WV0812P1M001

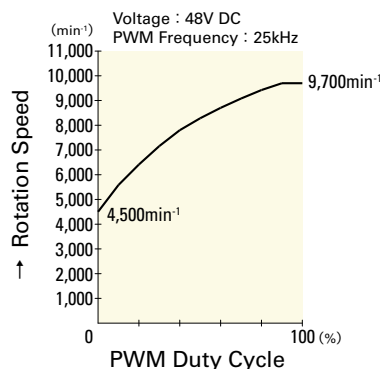


9WV0848P1H001

PWM Duty - Speed Characteristics Example



9WV0812P1M001



9WV0848P1H001