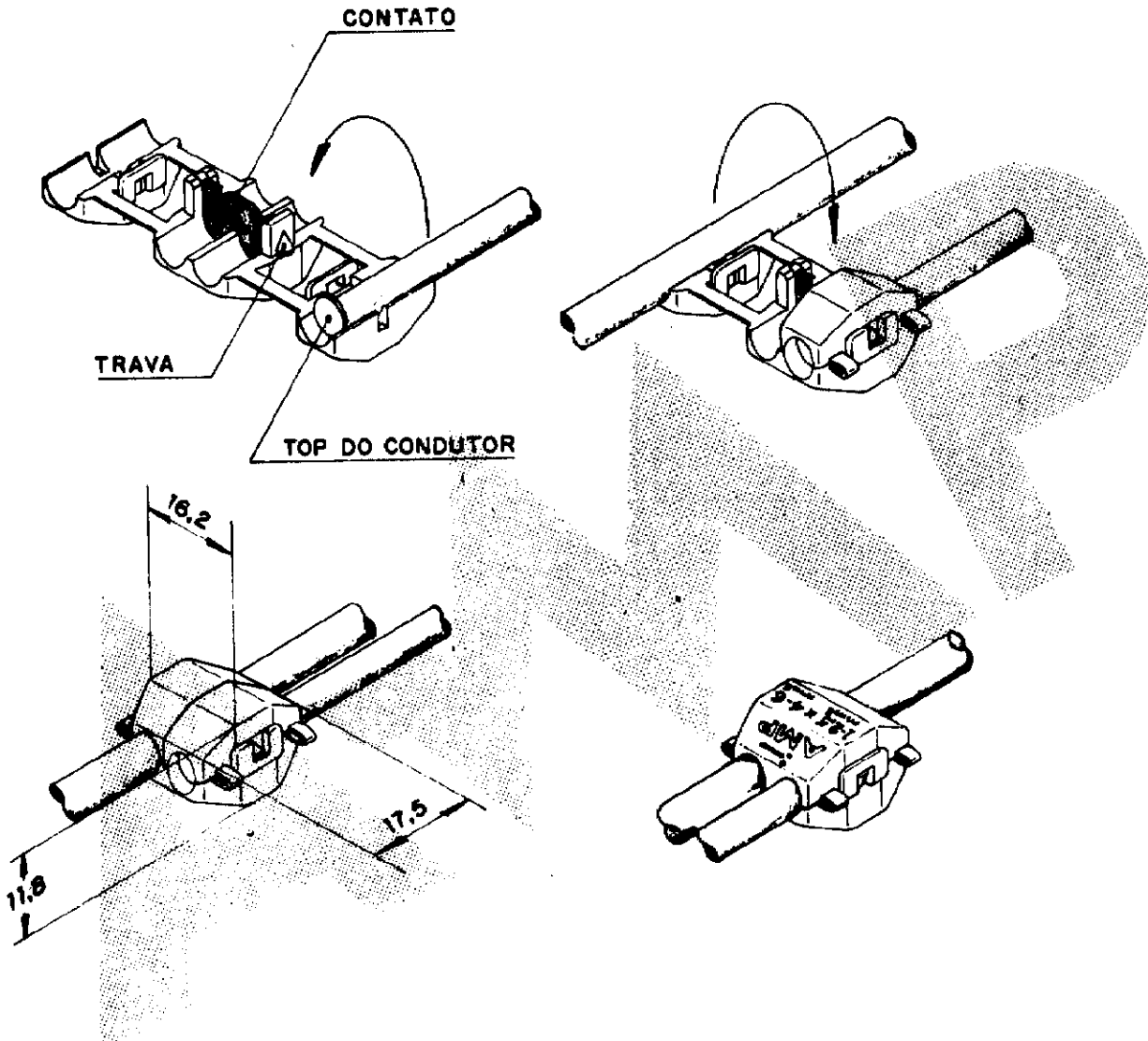


DO NOT SCALE  
DIMENSIONS IN MM.

**METRIC**



PRINC. 4,0-6,0mm <sup>2</sup>	5,0mm	PRETO	CONT. LATÃO ESTANHADO	880 458 - 2
DERIV. 1,0-2,5mm <sup>2</sup>	5,0mm		ISOL. POLIAMIDA 6.6 C/PROT. U.V.	
PRINCIPAL: 4,0-6,0mm <sup>2</sup>	5,0mm	NATURAL	CONTATO LATÃO ESTANHADO	880 458 - 1
DERIVAÇÃO: 1,0-2,5mm <sup>2</sup>	5,0mm		ISOLADOR: POLIAMIDA 6.6	
WIRE RANGE	INS. DIA. MAX.	COR	MATERIAL	PART NUMBER

**CUSTOMER DWG**  
for REFERENCE ONLY

C	REVISADO P/ECN 3204	IVAJ	JUN 19 82
B	REVISED BY ECN. 2951	IVAN	FEB 25 82
A	ERA P80-29128	G.M. R.P.L.	4.4.84
188	REVISION RECORD	DR	CHK DATE APP.

THIS DRAWING IS UNPUBLISHED RELEASED FOR PUBLICATION

© COPYRIGHT 1984 BY AMP DO BRASIL LTDA S.P. ALL INTERNATIONAL RIGHTS RESERVED. AMP PRODUCTS MAY BE COVERED BY U.S. AND FOREIGN PATENTS AND/OR PATENTS PENDING.

TOLERANCES UNLESS OTHERWISE STATED  
DEC. ±0.5  
ANGLES ±1°

INS. DIA. RANGE VER TABELA    WIRE RANGE VER TABELA    SCALE

**AMP** AMP do BRASIL LTDA.  
São Paulo, Brasil

DESCRIPTION  
**ELECTRO-TAP**

DWG NO: **A4 C 880458**    SHEET 1 of 1